

Maxi free-standing Beacons / Rotating Mirror Light 883  
**Rotating Mirror Beacon LED 24VAC/DC BU**



Part No.: 883.530.75



| MECHANICAL DATA              |                             |
|------------------------------|-----------------------------|
| Height                       | 218 mm                      |
| Diameter                     | 142 mm                      |
| Materials                    | PC<br>PC/ABS                |
| Dome colour                  | Blue                        |
| Housing colour               | Black                       |
| Protection category          | IP65                        |
| Connection                   | Screw terminals             |
| cross-sectional area maximum | 1,50mm <sup>2</sup> / 16AWG |
| Cable entry                  | Rubber pinch                |
| Cable entry minimum          | d = 5 mm                    |
| Cable entry maximum          | d = 7 mm                    |
| Tension relief               | Pull-out protection         |
| Type of fixing               | Base mounting               |
| Working temperature minimum  | -30°C                       |
| Working temperature maximum  | +50°C                       |
| Weight with packaging        | 715 g                       |
| Product weight               | 627 g                       |
| ELECTRICAL DATA              |                             |
| Operating voltage            | 24V                         |
| Operating voltage type       | AC/DC                       |
| Operating voltage frequency  | 50Hz                        |
| Operating voltage tolerance  | +/- 10%                     |
| Rated operational voltage    | 24 VDC                      |
| Rated operational current    | 250 mA                      |
| Rated inrush current         | 2400 mA                     |
| Protection class             | Protection class 2          |
| Pollution degree             | 3                           |
| Overvoltage category         | II                          |
| OPTICAL DATA                 |                             |
| Light source                 | LED                         |
| Light colour                 | Blue                        |
| Optical signal image         | Revolving                   |
| Service life optical         | 50,000 h minimum            |
| Rotation speed (rpm)         | 180 U/min                   |
| APPROVAL DATA                |                             |



For additional installation and mounting information, refer to the appropriate user guide at [www.werma.com](http://www.werma.com). This printed copy is for information only and is subject to alteration.

Maxi free-standing Beacons / Rotating Mirror Light 883  
**Rotating Mirror Beacon LED 24VAC/DC BU**

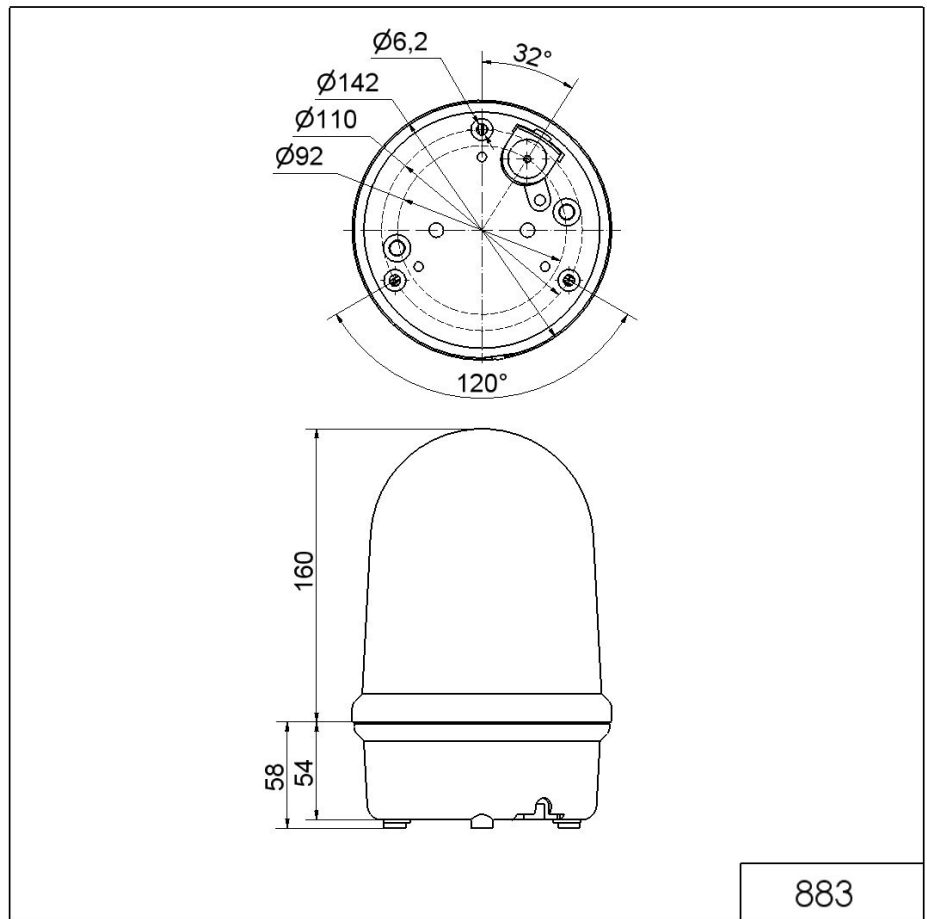
|                               |     |
|-------------------------------|-----|
| Conforms with CE              | Yes |
| WEEE                          | Yes |
| Conforms with RED directive   | No  |
| Conform with ATEX-directive   | No  |
| Conforms with CCC-Ex          | No  |
| Conforms with CCC             | No  |
| Conforms with UL              | No  |
| Conforms with FCC             | No  |
| Conforms with IC              | No  |
| EAC certificate available     | Yes |
| Conforms with UKCA (Importer) | No  |
| Conforms with CMIM            | No  |
| Conforms with AS-I            | No  |
| Conforms with GL              | No  |
| Conforms with RoHS CN         | No  |
| Conforms with VdS             | No  |



For additional installation and mounting information, refer to the appropriate user guide at [www.werma.com](http://www.werma.com). This printed copy is for information only and is subject to alteration.

Maxi free-standing Beacons / Rotating Mirror Light 883  
**Rotating Mirror Beacon LED 24VAC/DC BU**

**DRAWING**



For additional installation and mounting information, refer to the appropriate user guide at [www.werma.com](http://www.werma.com). This printed copy is for information only and is subject to alteration.