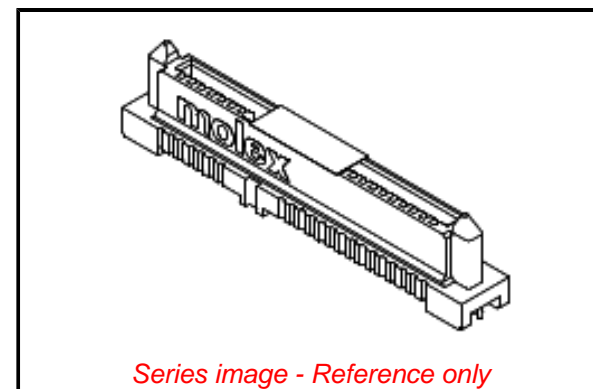


**PLEASE CHECK WWW.MOLEX.COM FOR LATEST PART INFORMATION**

**Part Number:** [0877131006](#)  
**Status:** **Active**  
**Overview:** Serial ATA Connectors  
**Description:** 1.27mm Pitch Serial ATA Host Receptacle, Surface Mount, Vertical, Standard Height, with 1.05mm Plastic Locating Peg, 0.76µm Gold (Au) Selective Plating, with Kapton Tape, Tape on Reel Packaging, 22 Circuits, Lead-Free

**Documents:**

[3D Model](#) [Packaging Specification PK-87713-002-001 \(PDF\)](#)  
[Drawing \(PDF\)](#) [RoHS Certificate of Compliance \(PDF\)](#)  
[Product Specification PS-87713-016-001 \(PDF\)](#)



**Agency Certification**

CSA LR19980  
 UL E29179

**General**

Product Family PCB Receptacles  
 Series [87713](#)  
 Application Board-to-Board, Signal  
 Comments 1.05mm Plastic Locating Peg  
 Overview [Serial ATA Connectors](#)  
 Product Name Serial ATA  
 UPC 883906317690

**Physical**

(p)ower-(s)ignal Configuration 15p - 7s  
 Circuits (Loaded) 22  
 Circuits (maximum) 22  
 Durability (mating cycles max) 500  
 Flammability 94V-0  
 Glow-Wire Capable No  
 Lock to Mating Part Yes  
 Material - Metal Copper Alloy  
 Material - Plating Mating Gold  
 Material - Plating Termination Tin  
 Material - Resin High Temperature Thermoplastic  
 Net Weight 1.486/g  
 Number of Rows 1  
 Orientation Vertical  
 PCB Locator Yes  
 PCB Retention None  
 Packaging Type Tray  
 Pitch - Mating Interface 1.27mm  
 Plating min - Mating 0.762µm  
 Plating min - Termination 2.540µm  
 Polarized to Mating Part Yes  
 Polarized to PCB Yes  
 Surface Mount Compatible (SMC) N/A  
 Temperature Range - Operating -40° to +105°C  
 Termination Interface: Style Surface Mount

**Electrical**

Current - Maximum per Contact 1.5A  
 Voltage - Maximum 30V

**Solder Process Data**

Duration at Max. Process Temperature (seconds) 010

**EU ELV**

**Not Relevant**

**EU RoHS**

**Compliant**

**REACH SVHC**

Not Contained Per -  
 D(2021)10043-DC (17  
 Jan 2022)

**Halogen-Free**

**Status**

**Low-Halogen**

For more information, please visit [Contact US](#)

China ROHS

ELV

RoHS Phthalates

**China RoHS**

Green Image

Not Relevant

Not Contained

**Search Parts in this Series**

[87713 Series](#)

**Mates With**

[87679](#) , [87799](#) , [87703](#)

Lead-freeProcess Capability  
Max. Cycles at Max. Process Temperature  
Process Temperature max. C

REFLOW  
001  
260

**Material Info**

**Reference - Drawing Numbers**

Electrical Model Document

EE-78178-001-001, EE-78328-001-001,  
EE-78328-002-001, EE-87703-003-001,  
EE-87713-001-001

Packaging Specification

PK-87713-002-001

Product Specification

PS-87713-016-001

S-Parameter Model

SP-87713-001-001

Sales Drawing

SD-87713-029-001

This document was generated on 02/18/2022

**PLEASE CHECK [WWW.MOLEX.COM](http://WWW.MOLEX.COM) FOR LATEST PART INFORMATION**