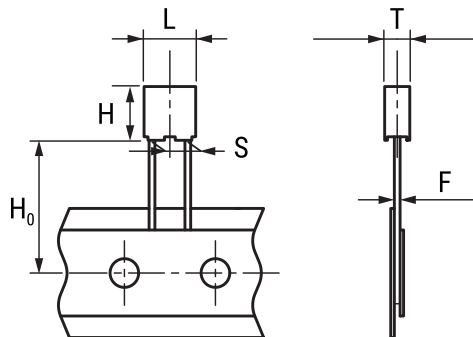


KEMET Part Number: R82MC1470DQ50K
(82MC1470DQ50K)

R82, Film, Metallized Polyester Stacked, Automotive Grade, 4700 pF, 10%, 400 VDC, 85°C, Lead Spacing = 5mm



Dimensions

| Dimension | Value |
|-----------|-----------------|
| L | 7.2mm +0.2mm |
| H | 6.5mm +0.1mm |
| T | 2.5mm +0.1mm |
| S | 5mm +0.6/-0.1mm |
| H0 | 18.5mm +/-0.5mm |
| F | 0.5mm +/-0.05mm |

Packaging Specifications

| | |
|----------------------------|-------------------------|
| Packaging: | Ammo, 360x340x59mm, Box |
| Packaging Quantity: | 3500 |

General Information

| | |
|--------------------------|--|
| Series: | R82 |
| Dielectric: | Metallized Polyester Stacked |
| Style: | Radial |
| Features: | Automotive Grade, DC Multipurpose Applications |
| RoHS: | Yes |
| Lead: | Wire Leads |
| Qualifications: | AEC-Q200 |
| AEC-Q200: | Yes |
| Component Weight: | 0.23 g |
| Miscellaneous: | Above 85C DC And AC Voltage Derating Is 1.25%/C. |

Specifications

| | |
|-------------------------------|------------------------------------|
| Capacitance: | 4700 pF |
| Capacitance Tolerance: | 10% |
| Voltage AC: | 200 VAC |
| Voltage DC: | 400 VDC |
| Temperature Range: | -55/+105°C |
| Rated Temperature: | 85°C |
| Dissipation Factor: | 0.8% 1kHz, 1.2% 10kHz, 2.5% 100kHz |
| Insulation Resistance: | 30 GOhms |
| Max dV/dt: | 400 V/us |
| Inductance: | 7 nH |