



## Alcoswitch

TE Internal #: 8-6437630-2

Toggle Switches, Four Pole - Double Throw Configuration (Pole-Throw), M12 x .75, Sealed, Brass, Silver Alloy, Waterproof, Baton, On Off On, 20 A

[View on TE.com >](#)
[Relays, Contactors & Switches > Switches > Toggle Switches](#)
Configuration (Pole-Throw): **Four Pole - Double Throw**Bushing Thread Size: **M12 x .75**Sealed Toggle Switch: **Yes**Contact Base Material: **Brass**Switch Contact Plating Material: **Silver Alloy**

## Features

### Product Type Features

|                      |              |
|----------------------|--------------|
| Product Type         | Switch       |
| Sealed Toggle Switch | Yes          |
| Toggle Style         | Baton        |
| Toggle Switch Type   | Power Toggle |
| Toggle Actuation     | Vertical     |

### Configuration Features

|                            |                          |
|----------------------------|--------------------------|
| Configuration (Pole-Throw) | Four Pole - Double Throw |
| Operating Function         | On Off On                |

### Electrical Characteristics

|                              |                  |
|------------------------------|------------------|
| Dielectric Strength          | 1500 VAC         |
| Insulation Resistance        | 1000 MΩ          |
| UL/CSA Current Rating (250V) | 20 A             |
| Contact Resistance           | 10 mΩ            |
| Toggle Switch Voltage Rating | 125 VAC, 250 VAC |

### Body Features

|                         |            |
|-------------------------|------------|
| Bushing Thread Size     | M12 x .75  |
| Toggle Switch Seal Type | Waterproof |
| Bushing Style           | Unthreaded |



### Contact Features

|                                      |              |
|--------------------------------------|--------------|
| Contact Base Material                | Brass        |
| Switch Contact Plating Material      | Silver Alloy |
| Toggle Switch Contact Current Rating | 20 A         |

### Termination Features

|                  |                                    |
|------------------|------------------------------------|
| Termination Type | .25 x .032 Quick Connect Terminals |
|------------------|------------------------------------|

### Mechanical Attachment

|                             |       |
|-----------------------------|-------|
| Toggle Switch Mounting Type | Panel |
|-----------------------------|-------|

### Dimensions

|               |                   |
|---------------|-------------------|
| Toggle Length | 17.48 mm[.688 in] |
|---------------|-------------------|

## Product Compliance

[For compliance documentation, visit the product page on TE.com>](#)

|                                               |                                                                                                                                                                                                                                                                                                                                                                                                                              |
|-----------------------------------------------|------------------------------------------------------------------------------------------------------------------------------------------------------------------------------------------------------------------------------------------------------------------------------------------------------------------------------------------------------------------------------------------------------------------------------|
| EU RoHS Directive 2011/65/EU                  | Compliant                                                                                                                                                                                                                                                                                                                                                                                                                    |
| EU ELV Directive 2000/53/EC                   | Compliant                                                                                                                                                                                                                                                                                                                                                                                                                    |
| China RoHS 2 Directive MIIT Order No 32, 2016 | No Restricted Materials Above Threshold                                                                                                                                                                                                                                                                                                                                                                                      |
| EU REACH Regulation (EC) No. 1907/2006        | Current ECHA Candidate List: JAN 2022 (223)<br>Candidate List Declared Against: JUL 2021 (219)<br>SVHC > Threshold:<br>Pb (.78% in component part)<br><b>Article Safe Usage Statements:</b><br>Do not eat, drink or smoke when using this product. Wash thoroughly after handling. Recycle if possible and dispose of the article by following all applicable governmental regulations relevant to your geographic location. |
| Halogen Content                               | Low Halogen - Br, Cl, F, I < 900 ppm per homogenous material. Also BFR/CFR/PVC Free                                                                                                                                                                                                                                                                                                                                          |
| Solder Process Capability                     | Not applicable for solder process capability                                                                                                                                                                                                                                                                                                                                                                                 |

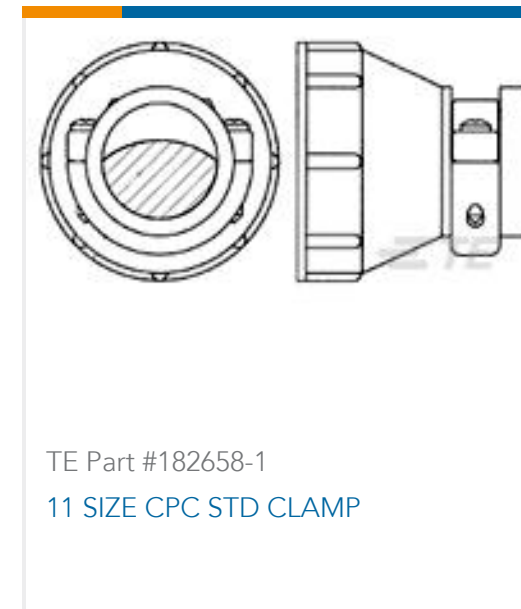
#### Product Compliance Disclaimer

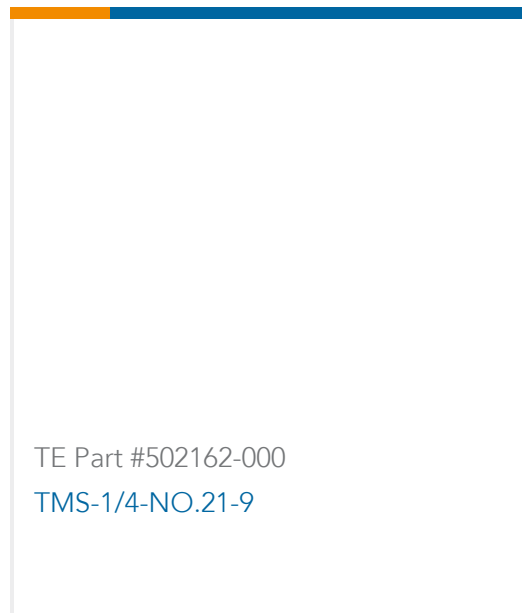
This information is provided based on reasonable inquiry of our suppliers and represents our current actual knowledge based on the information they provided. This information is subject to change. The part numbers that TE has identified as EU RoHS compliant have a maximum concentration of 0.1% by weight in homogenous materials for lead, hexavalent chromium, mercury, PBB, PBDE, DBP, BBP, DEHP, DIBP, and 0.01% for cadmium, or qualify for an exemption to these limits as defined in the Annexes of Directive 2011/65/EU (RoHS2). Finished electrical and electronic equipment products will be CE marked as required by Directive 2011/65/EU. Components may not be CE marked. Additionally, the part numbers that TE has identified as EU ELV compliant have a maximum concentration of 0.1% by weight in homogenous materials for lead, hexavalent chromium, and mercury, and 0.01% for cadmium, or qualify for an exemption to these limits as defined in the Annexes of Directive 2000/53/EC (ELV). Regarding the REACH Regulation, the information TE provides on SVHC in articles for this part number is based on the latest European Chemicals Agency (ECHA) 'Guidance on requirements for substances in articles' posted at this URL: <https://echa.europa.eu/guidance-documents/guidance-on-reach>

## Compatible Parts



## Customers Also Bought





## Documents

### Product Drawings

[A4TP15W04](#)

English

### CAD Files

[3D PDF](#)

3D

Customer View Model

[ENG\\_CVM\\_CVM\\_8-6437630-2\\_B.2d\\_dxf.zip](#)

English

Customer View Model

[ENG\\_CVM\\_CVM\\_8-6437630-2\\_B.3d\\_igs.zip](#)

English

Customer View Model

[ENG\\_CVM\\_CVM\\_8-6437630-2\\_B.3d\\_stp.zip](#)

English

By downloading the CAD file I accept and agree to the [Terms and Conditions](#) of use.

### Datasheets & Catalog Pages

[SWITCHES\\_CORE\\_PROGRAM\\_CATALOG](#)

English

[AW\\_SERIES\\_SWITCHES\\_QUICK\\_REF\\_GUIDE\\_1-1773458-8](#)

English