



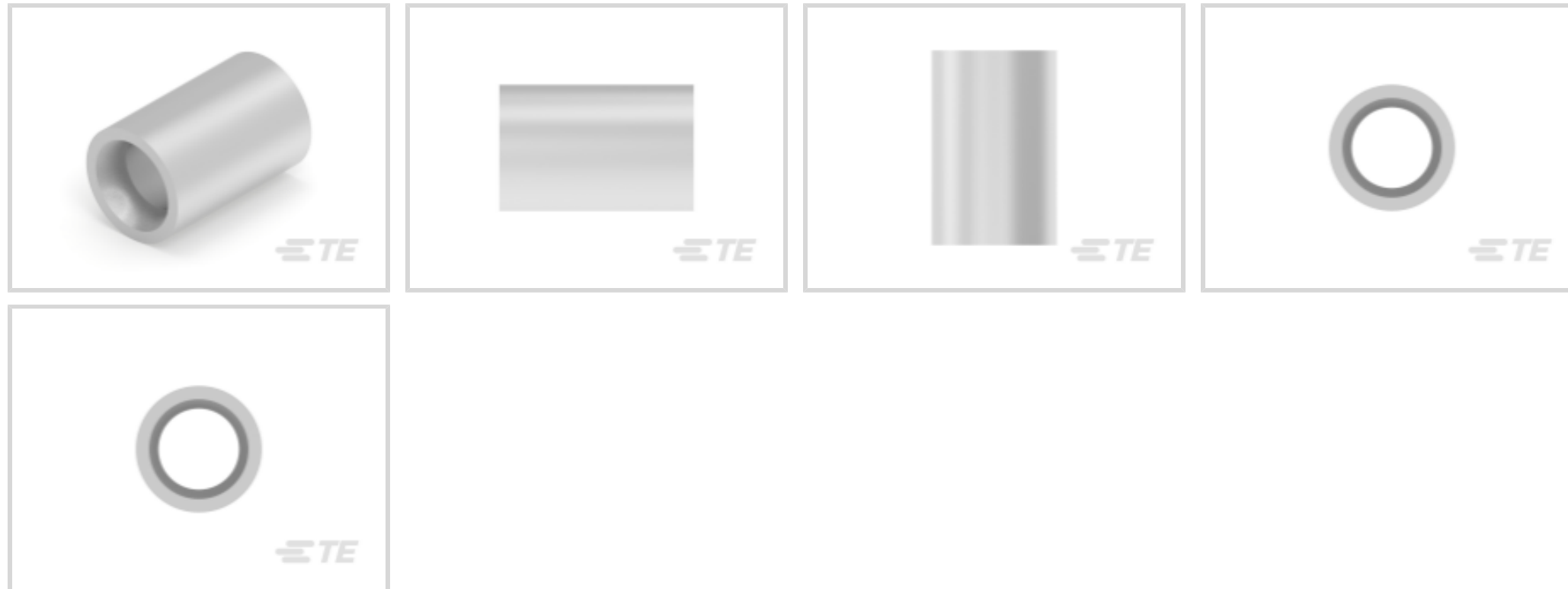
SOLISTRAND

TE Internal #: 8-34138-2

Splices, 12 – 10 AWG Wire Size, 3 – 6 mm<sup>2</sup> Wire Size, Standard, .129 in [3.28 mm] Barrel Inside Diameter, 5180 – 13100 CMA Wire Size, Copper

[View on TE.com >](#)

Terminals & Splices > Splices



Wire Size: 3 – 6 mm<sup>2</sup>

Sealable: No

Splice Features: **Standard**

Barrel Inside Diameter: 3.28 mm [ .129 in ]

**Features**

**Product Type Features**

Splice Accessory Type	Splice
Sealable	No
Splice Type	Parallel Splice
Serrated	Yes
Compatible With Discrete Wire Type	Stranded
Wire Insulation Support Retention Type	Non-Insulation Support

**Configuration Features**

Compatible With Wire & Cable Type	Discrete Wire
-----------------------------------	---------------

**Body Features**

Weight per Piece	1.281 g
Plating Material	Tin
Splice Features	Standard
Primary Product Material	Copper

**Contact Features**

--	--



	100 μin
Contact Plating Material	Tin
Barrel Type	Closed

### Mechanical Attachment

Wire Insulation Support	Without
-------------------------	---------

### Dimensions

Outside Diameter	5.74 mm[.226 in]
Wire Size	5180 – 13100 CMA
Barrel Inside Diameter	3.28 mm[.129 in]
Terminal Material Thickness	1.07 mm[.042 in]
Overall Product Length	8.71 mm[.343 in]

### Usage Conditions

Insulation Requirement	Uninsulated
Operating Temperature Range	170 °C[338 °F]

### Operation/Application

Heavy Duty	No
Compatible With Wire Base Material	Copper

### Industry Standards

Government Qualified Splice	No
-----------------------------	----

### Packaging Features

Packaging Quantity	50
Packaging Method	Loose Piece

### Other

Military Category	No
-------------------	----

### Product Compliance

[For compliance documentation, visit the product page on TE.com>](#)

EU RoHS Directive 2011/65/EU	Compliant
EU ELV Directive 2000/53/EC	Compliant
China RoHS 2 Directive MIIT Order No 32, 2016	No Restricted Materials Above Threshold
EU REACH Regulation (EC) No. 1907/2006	Current ECHA Candidate List: JAN 2022 (223)



Candidate List Declared Against: JAN 2022  
 (223)

Does not contain REACH SVHC

Halogen Content

Low Halogen - Br, Cl, F, I < 900 ppm per homogenous material. Also BFR/CFR/PVC Free

Solder Process Capability

Not applicable for solder process capability

Product Compliance Disclaimer

This information is provided based on reasonable inquiry of our suppliers and represents our current actual knowledge based on the information they provided. This information is subject to change. The part numbers that TE has identified as EU RoHS compliant have a maximum concentration of 0.1% by weight in homogenous materials for lead, hexavalent chromium, mercury, PBB, PBDE, DBP, BBP, DEHP, DIBP, and 0.01% for cadmium, or qualify for an exemption to these limits as defined in the Annexes of Directive 2011/65/EU (RoHS2). Finished electrical and electronic equipment products will be CE marked as required by Directive 2011/65/EU. Components may not be CE marked. Additionally, the part numbers that TE has identified as EU ELV compliant have a maximum concentration of 0.1% by weight in homogenous materials for lead, hexavalent chromium, and mercury, and 0.01% for cadmium, or qualify for an exemption to these limits as defined in the Annexes of Directive 2000/53/EC (ELV). Regarding the REACH Regulation, the information TE provides on SVHC in articles for this part number is based on the latest European Chemicals Agency (ECHA) 'Guidance on requirements for substances in articles' posted at this URL: <https://echa.europa.eu/guidance-documents/guidance-on-reach>

## Compatible Parts



TE Part # 58545-1  
 SOLISTRAND 10-22 DIE ASSY



TE Part # 49935  
 DAHT SOLIS 22-10 ASSY



TE Part # 58546-1  
 PC 22-10 SOLISSPICE SPL I SHT



TE Part # 58545-3  
 SDE DIE ASSY. 22-10 SOLISTRAND

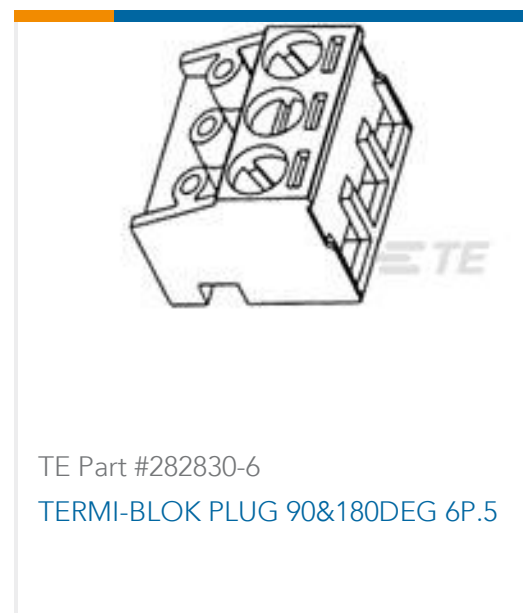
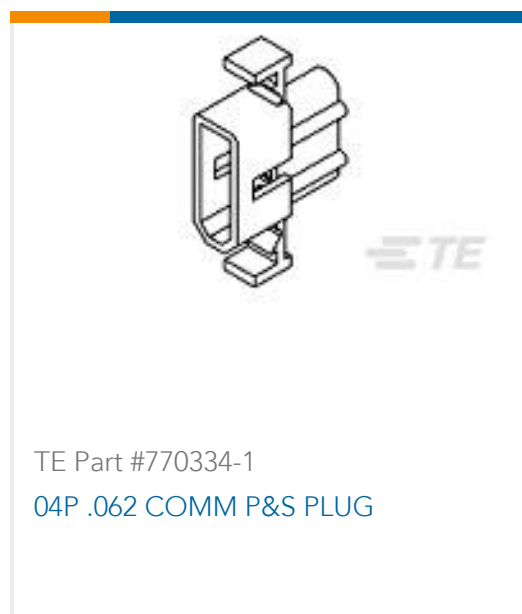


TE Part # 539662-2  
 MATR SOLISTR 0,3-6,



TE Part # 169400  
 CERTI-LOK

## Customers Also Bought



## Documents

### Product Drawings

#### SPLICE,SOLIS PARA 12-10

English

### CAD Files

#### Customer View Model

[ENG\\_CVM\\_CVM\\_8-34138-2\\_Y.2d\\_dxf.zip](#)

English

#### 3D PDF

3D

#### Customer View Model

[ENG\\_CVM\\_CVM\\_8-34138-2\\_Y.3d\\_igs.zip](#)

English

#### Customer View Model

[ENG\\_CVM\\_CVM\\_8-34138-2\\_Y.3d\\_stp.zip](#)

English

By downloading the CAD file I accept and agree to the [Terms and Conditions](#) of use.

### Datasheets & Catalog Pages

#### SOLISTRAND - QRG

English

### Product Environmental Compliance

#### TE Material Declaration

English