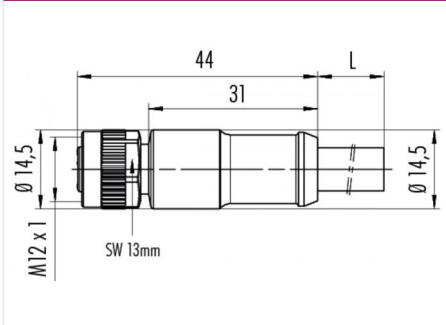


Product description	Contacts: 3+PE, female cable connector, power, S-coding, cable outlet 8 -10mm
Area	M12-S, M12-K Series 814 S-coding
Order number	77 0690 0000 50704-0500

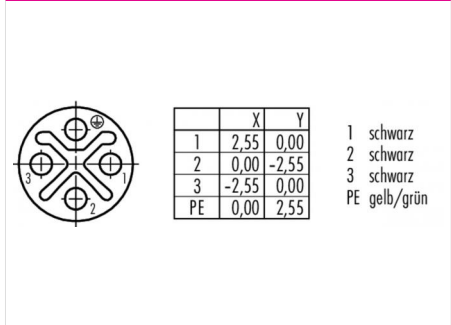
Illustration



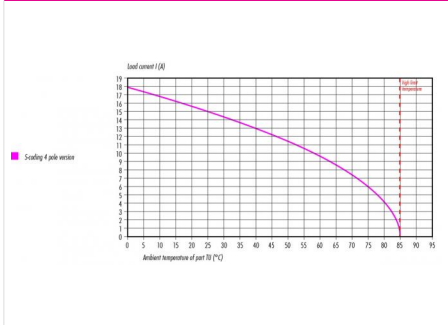
Scale drawing



Contact arrangement



Derating curve



Technical data

General values

Connector design	female cable connector
Connector locking system	bolted
Termination	moulded on cable
Wire gauge (mm)	1.50 mm ²
Wire gauge (AWG)	16
Upper limit temperature	85 °C
Lower limit temperature	-25 °C
Customs tariff number	85444290

Electrical values

Rated current (40 °C)	12 A
Rated voltage	630 V
Rated impulse voltage	6000 V
Pollution degree	3
Overvoltage category	III
Insulating material group	II
Volume resistivity	≤ 5 mΩ
Degree of protection	IP68
Mechanical operation	> 100 Mating cycles

Cable data

Sheath material	PUR
Cable diameter	8.5

Material

Contact material	CuSn (bronze)
Contact plating	Au (gold)
Contact body material	PA
Housing material	PUR

Product description	Contacts: 3+PE, female cable connector, power, S-coding, cable outlet 8 -10mm
Area	M12-S, M12-K Series 814 S-coding
Order number	77 0690 0000 50704-0500

Security notices

The connector must not be connected or separated under load. Non-observance and incorrect use can result in personal injury.

The connectors are designed for use in plant, control system and electrical equipment. The end user is responsible for checking whether the connectors are suitable for use in other applications.

To prevent the connector being opened unintentionally when used in electrical circuits containing hazardous life parts, the thread between the housing and the connector head must be secured using a suitable cyanoacrylate adhesive. This does not apply to connectors used in SELV and PELV circuits according to IEC 61140 (EN 61140, VDE 0140-1).

Connectors used in electrical circuits containing hazardous life parts must only be assembled and used by or under the supervision of persons with the requisite electrotechnical training, taking the applicable regulations and standards into account.

The end user must take suitable safety measures to ensure that the connector cannot be disconnected accidentally. Connectors with degree of protection IP 67 and IP 68 are not suitable for use under water. When used outdoors, the connectors must be separately protected against corrosion. For further information about IP degrees of protection refer to 'Technical support' in the Download Centre.

To lock the cable connector to the equipment connector, the threaded ring is tightened until it is 'finger-tight' (approx. 50 cNm).