



Tap-off module; 5-pole; for WINSTA® MIDI connectors and distribution connectors

Item No.: 772-272



Tap-off module; 5-pole; for WINSTA® MIDI connectors and distribution connectors

Marking

RoHS ✓
Compliant

Business data

Supplier	WAGO
Item no.	772-272
GTIN / EAN	4055143174688
Content	1
Order amount	10
Customer item number	

Notes

All WINSTA® components are 100% protected against mismatching in terms of: a.) plugging different number of poles b.) plugging when turned by 180° c.) plugging when laterally staggered d.) plugging one pole
Note on Continuous Service Temperature: -35°C to +85°C
PVC cable for temperatures 70°C (including halogen-free)
PVC flat cable for temperatures -15°C to 70°C (including halogen-free)
Insulating parts for temperatures 105°C
Mating cycles: 100, with resistive load $I_N = 25\text{ A}$, tested (4 mm²/12 AWG)

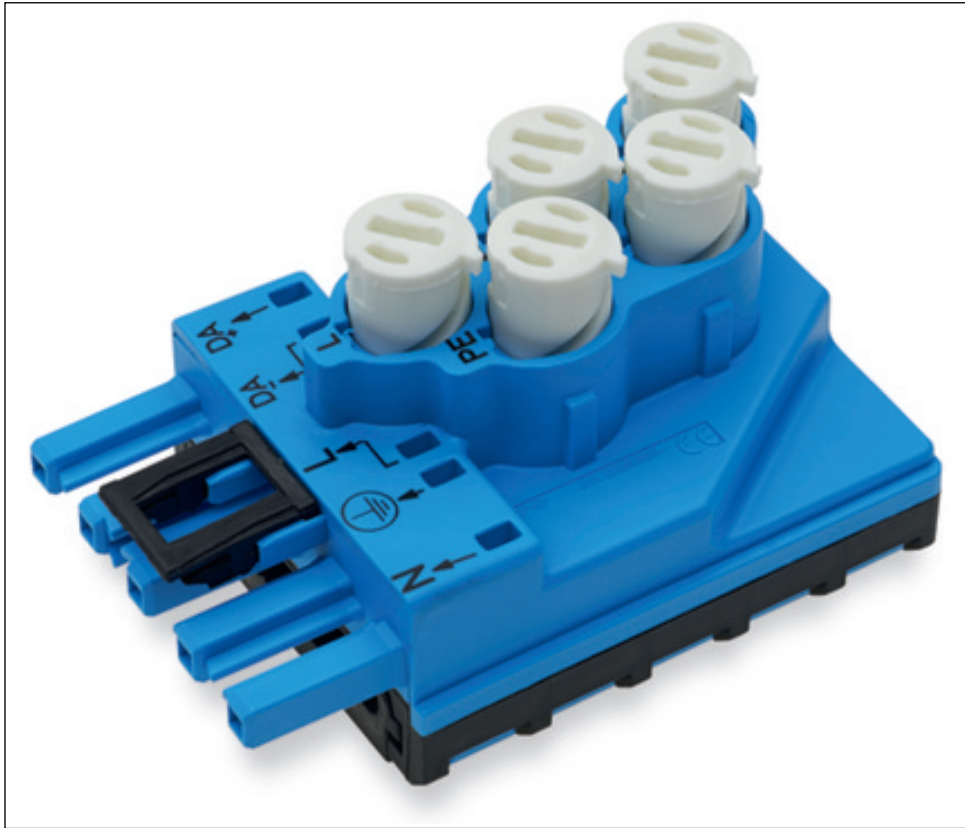
Technical data

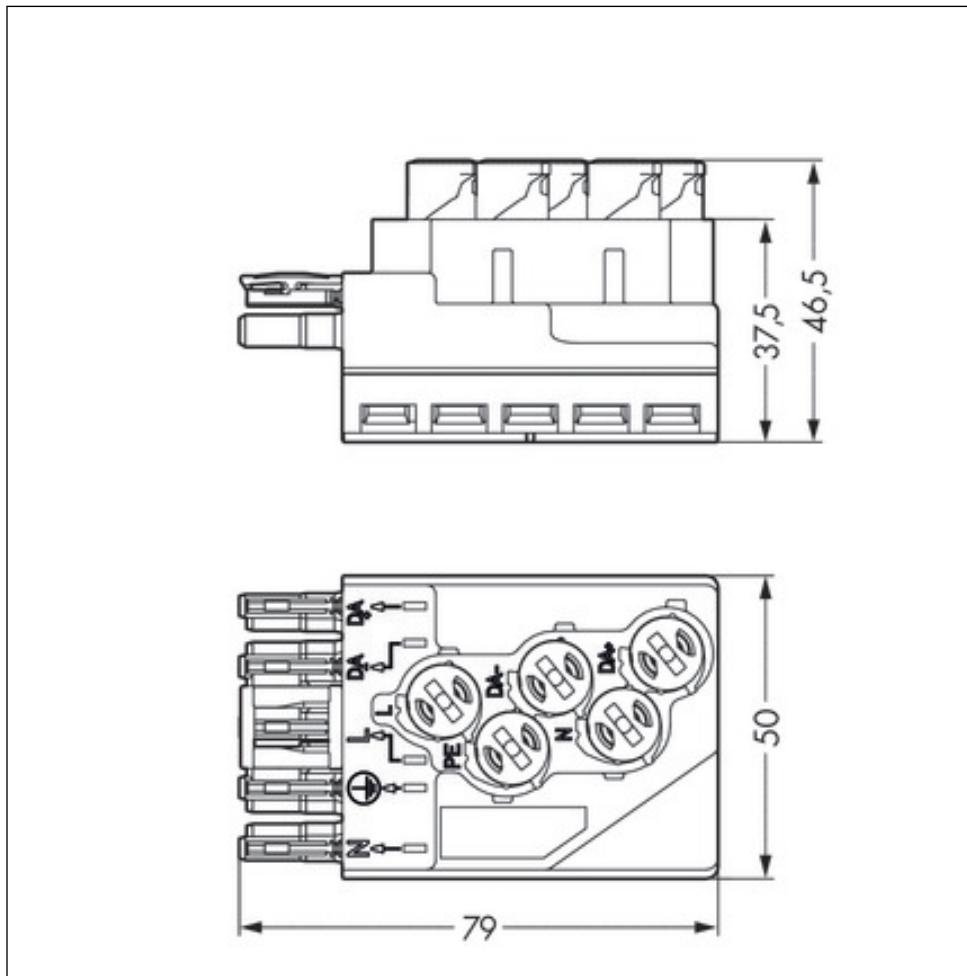
Miscellaneous

No. of poles	5
Total number of potentials	5

Technical data	
Potential marking	N ⏚ L DA- DA+
Color	blue
Coding	I
Rated voltage (III / 3) [V]	400 [V]
Rated impulse voltage (III / 3) [kV]	6 [kV]
Pollution degree (1)	3
Rated current [A]	25 [A]
Legend for ratings	(III / 3) Overvoltage category III /
Mating cycles	200, without resistive load
Pull-in time	0.0
Connection technology	IDC
Actuation type	Operating tool
Mating force of a plug-in connection	approx. 30–70N (depending on number of poles)
Unmating force of a plug-in connection	when unlocked: approx. 15–20N
Insulating material	Polyamide 66 (PA 66)
Flammability class per UL94	V0
Contact material	Copper or copper alloy, surface-treated
Fire load [MJ]	1.847 [MJ]
Weight [g]	85.255 [g]
Width	50 mm / 1.969 Inch
Height	46.5 mm / 1.831 Inch
Depth	79 mm / 3.11 Inch
Marking	N ⏚ L DA- DA+

Images & drawings





Address

WAGO Kontakttechnik GmbH & Co. KG

Hansastr. 27

32423 Minden

Telefon: 0571/887-0

Fax: 0571/887-169

<http://www.wago.com>

© WAGO Kontakttechnik GmbH & Co. KG

Technische Änderungen und Irrtümer vorbehalten.