



**Tap-off module; with phase selection; 3-pole; for WINSTA® MIDI connectors and distribution connectors; position on supply L2; Coding P**

Item No.: 772-269



Tap-off module; with phase selection; 3-pole; for WINSTA® MIDI connectors and distribution connectors; position on supply L2; Coding P

### Marking

RoHS ✓  
Compliant

### Business data

Supplier	WAGO
Item no.	772-269
GTIN / EAN	4045454599539
Content	1
Order amount	10
Customer item number	

### Notes

All WINSTA® components are 100% protected against mismatching in terms of:a.) plugging different number of polesb.) plugging when turned by 180°c.) plugging when laterally staggeredd.) plugging one pole  
Note on Continuous Service Temperature:-35°C to +85°C  
PVC cable for temperatures 70°C (including halogen-free)  
PVC flat cable for temperatures -15°C to 70°C (including halogen-free)  
Insulating parts for temperatures 105°C  
Mating cycles: 100, with resistive load  $I_N = 25A$ , tested (4 mm<sup>2</sup>/AWG 12)

### Technical data

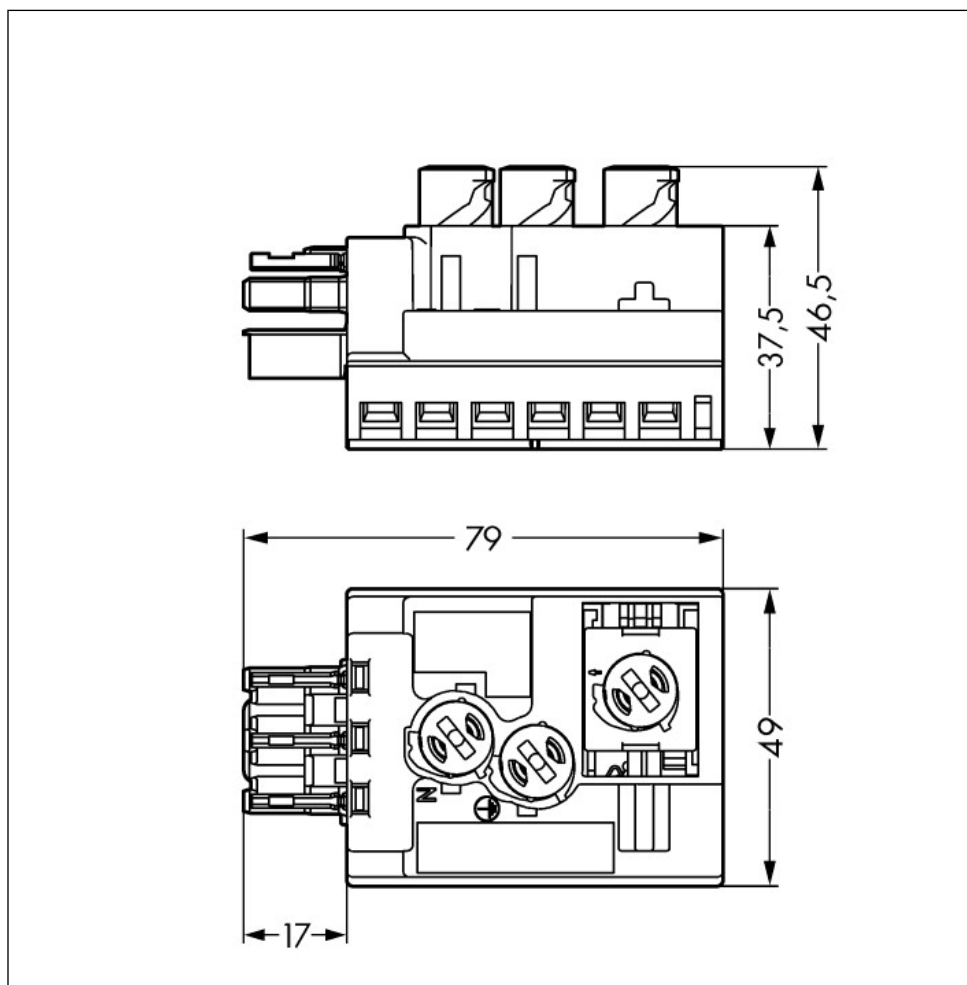
#### Miscellaneous

No. of poles	3
--------------	---

<b>Technical data</b>	
Total number of potentials	3
Potential marking	L &#9178; N
Color	red
Coding	P
Rated voltage (III / 3) [V]	400 [V]
Rated impulse voltage (III / 3) [kV]	6 [kV]
Pollution degree (1)	3
Rated current [A]	25 [A]
Legend for ratings	(III / 3) Overvoltage category III /
Mating cycles	200, without resistive load
Pull-in time	0.0
Connection technology	IDC
Actuation type	Operating tool
Mating force of a plug-in connection	approx. 30–70N (depending on number of poles)
Unmating force of a plug-in connection	when unlocked: approx. 15–20N
Insulating material	Polyamide 66 (PA 66)
Flammability class per UL94	V0
Contact material	Copper or copper alloy, surface-treated
Fire load [MJ]	1.831 [MJ]
Weight [g]	69.722 [g]
Width	49 mm / 1.929 Inch
Height	46.5 mm / 1.831 Inch
Depth	79 mm / 3.11 Inch
Marking	L &#9178; N

Images & drawings





#### Address

WAGO Kontakttechnik GmbH & Co. KG

Hansastr. 27

32423 Minden

Telefon: 0571/887-0

Fax: 0571/887-169

<http://www.wago.com>

© WAGO Kontakttechnik GmbH & Co. KG

Technische Änderungen und Irrtümer vorbehalten.