



Supply module; with strain relief housing; 5-pole; Cable diameter 9 - 13 mm; Coding P

Item No.: 772-267



Supply module; with strain relief housing; 5-pole; Cable diameter 9 - 13 mm; Coding P

Marking

RoHS ✓
Compliant

Business data

Supplier	WAGO
Item no.	772-267
GTIN / EAN	4045454599515
Content	1
Order amount	10
Customer item number	

Notes

All WINSTA® components are 100% protected against mismatching in terms of: a.) plugging different number of poles b.) plugging when turned by 180° c.) plugging when laterally staggered d.) plugging one pole
Note on Continuous Service Temperature: -35°C to +85°C PVC cable for temperatures 70°C (including halogen-free) PVC flat cable for temperatures -15°C to 70°C (including halogen-free) Insulating parts for temperatures 105°C

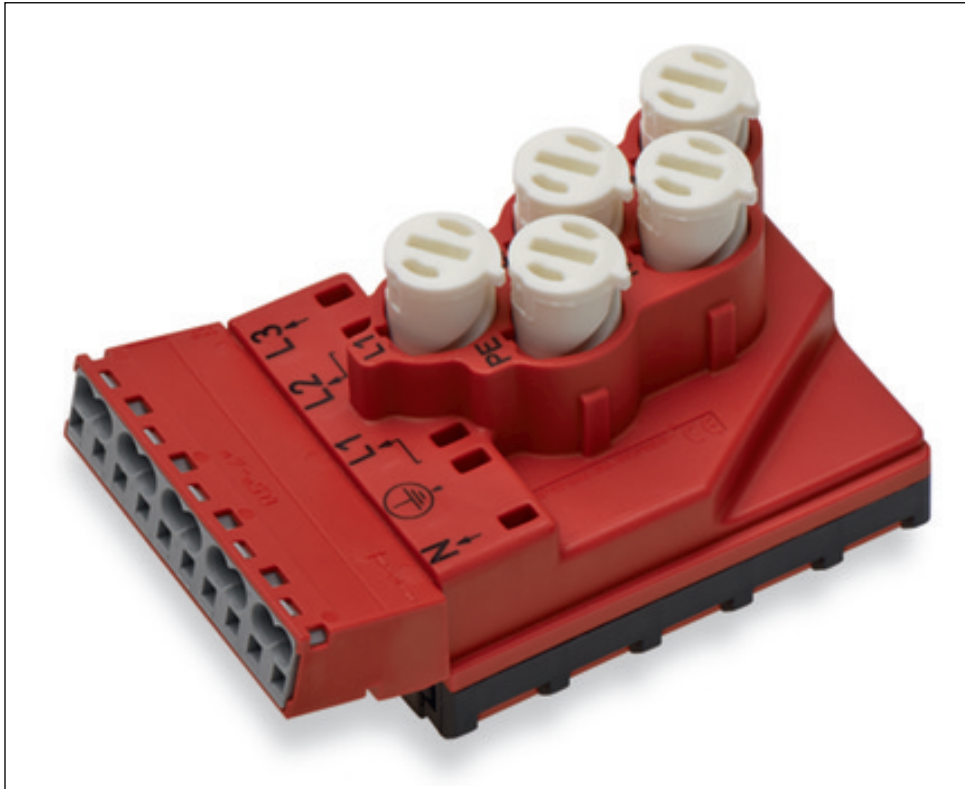
Technical data

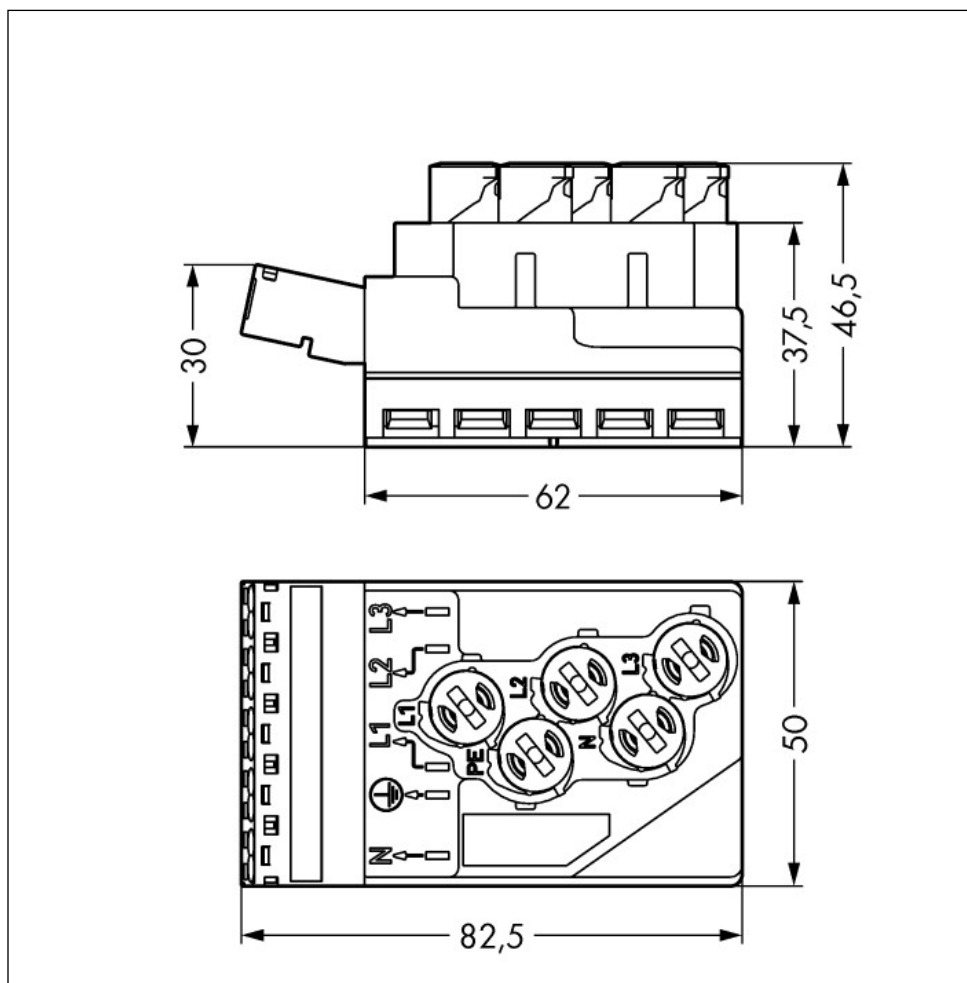
Miscellaneous

No. of poles	5
Total number of connection points	10

Technical data	
Total number of potentials	5
Potential marking	N ⏚ L1 L2 L3
Color	red
Rated voltage (III / 3) [V]	400 [V]
Rated impulse voltage (III / 3) [kV]	6 [kV]
Pollution degree (1)	3
Rated current [A]	25 [A]
Legend for ratings	(III / 3) Overvoltage category III /
Pull-in time	0.0
Connection technology	Push-in CAGE CLAMP®
Number of connection points connector	2
Actuation type	Operating tool
Nominal cross section	4 mm ²
Solid conductor	0.5 ... 4 mm ² / 20 ... 12 AWG
Solid conductor, push-in termination	1.5 ... 4 mm ² / 16 ... 12 AWG
Stranded conductor	0.5 ... 2.5 mm ² / 20 ... 14 AWG
Fine-stranded conductor	0.5 ... 4 mm ² / 20 ... 12 AWG
Fine-stranded conductor with ferrule with plastic collar	0.25 ... 1.5 mm ² / 20 ... 16 AWG
Fine-stranded conductor with ferrule without plastic collar	0.25 ... 2.5 mm ² / 20 ... 14 AWG
Fine-stranded conductor with ferrule, push-in termination, m	1.5 mm ² / 16 AWG
Strip length	9 mm / 0.35 Inch
Connection technology 2	IDC connection
Mating force of a plug-in connection	approx. 30–70N (depending on number of poles)
Unmating force of a plug-in connection	when unlocked: approx. 15–20N
Insulating material	Polyamide 66 (PA 66)
Flammability class per UL94	V0
Contact material	Copper or copper alloy, surface-treated
Fire load [MJ]	2.221 [MJ]
Weight [g]	94.953 [g]
Width	50 mm / 1.969 Inch
Height	46.5 mm / 1.831 Inch
Depth	82.5 mm / 3.248 Inch
Marking	N ⏚ L1 L2 L3

Images & drawings





Address

WAGO Kontakttechnik GmbH & Co. KG

Hansastr. 27

32423 Minden

Telefon: 0571/887-0

Fax: 0571/887-169

<http://www.wago.com>

© WAGO Kontakttechnik GmbH & Co. KG

Technische Änderungen und Irrtümer vorbehalten.