



Tap-off module; 5-pole; for WINSTA® MIDI connectors and distribution connectors; Coding A

Item No.: 772-262



Tap-off module; 5-pole; for WINSTA® MIDI connectors and distribution connectors; Coding A

Marking

RoHS ✓
Compliant

Business data

| | |
|----------------------|---------------|
| Supplier | WAGO |
| Item no. | 772-262 |
| GTIN / EAN | 4045454062002 |
| Content | 1 |
| Order amount | 10 |
| Customer item number | |

Notes

All WINSTA® components are 100% protected against mismatching in terms of: a.) plugging different number of poles b.) plugging when turned by 180° c.) plugging when laterally staggered d.) plugging one pole
Note on Continuous Service Temperature: -35°C to +85°C PVC cable for temperatures 70°C (including halogen-free) PVC flat cable for temperatures -15°C to 70°C (including halogen-free) Insulating parts for temperatures 105°C Mating cycles: 100, with resistive load $I_N = 25A$, tested (4 mm²/AWG 12)

Technical data

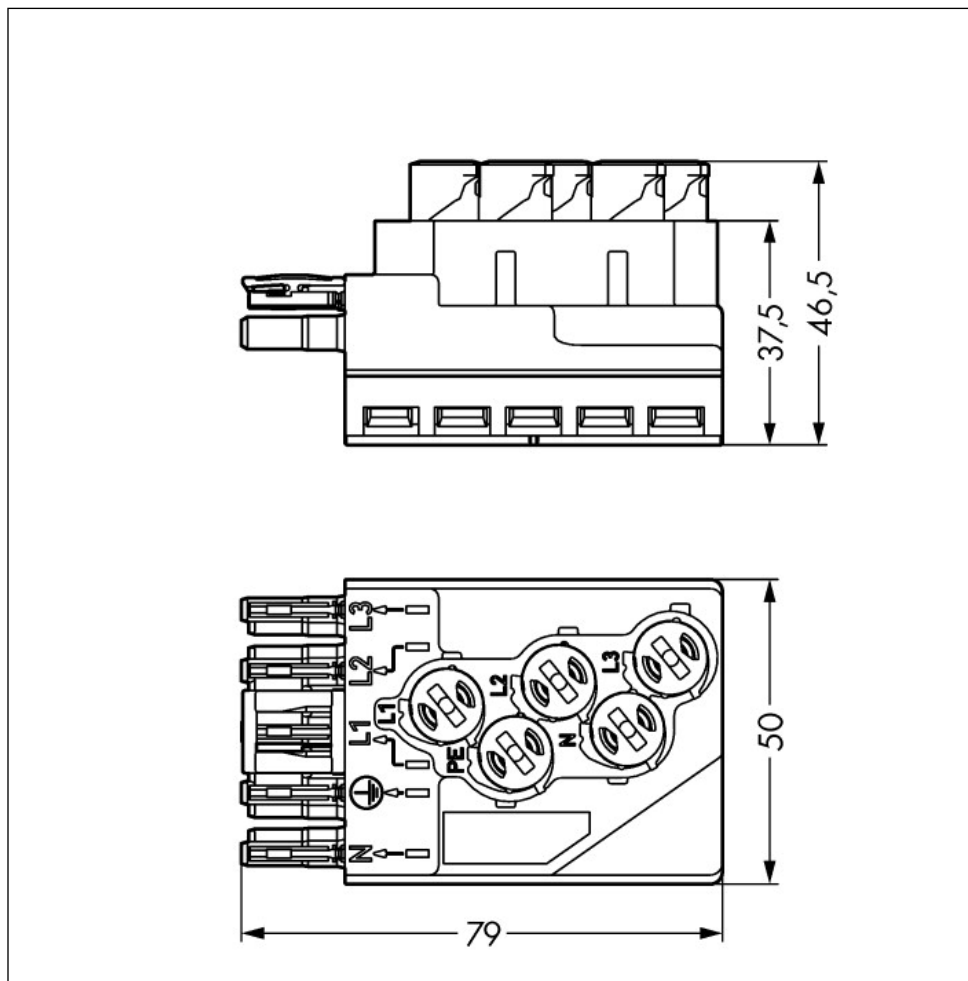
Miscellaneous

| | |
|----------------------------|---|
| No. of poles | 5 |
| Total number of potentials | 5 |

| Technical data | |
|---|--|
| <i>Potential marking</i> | <i>N #9178; L1 L2 L3</i> |
| <i>Color</i> | <i>black</i> |
| <i>Coding</i> | <i>A</i> |
| <i>Rated voltage (III / 3) [V]</i> | <i>400 [V]</i> |
| <i>Rated impulse voltage (III / 3) [kV]</i> | <i>6 [kV]</i> |
| <i>Pollution degree (1)</i> | <i>3</i> |
| <i>Rated current [A]</i> | <i>25 [A]</i> |
| <i>Legend for ratings</i> | <i>(III / 3) Overvoltage category III /</i> |
| <i>Mating cycles</i> | <i>200, without resistive load</i> |
| <i>Pull-in time</i> | <i>0.0</i> |
| <i>Connection technology</i> | <i>IDC</i> |
| <i>Actuation type</i> | <i>Operating tool</i> |
| <i>Mating force of a plug-in connection</i> | <i>approx. 30–70N (depending on number of poles)</i> |
| <i>Unmating force of a plug-in connection</i> | <i>when unlocked: approx. 15–20N</i> |
| <i>Insulating material</i> | <i>Polyamide 66 (PA 66)</i> |
| <i>Flammability class per UL94</i> | <i>V0</i> |
| <i>Contact material</i> | <i>Copper or copper alloy, surface-treated</i> |
| <i>Fire load [MJ]</i> | <i>1.773 [MJ]</i> |
| <i>Weight [g]</i> | <i>76.355 [g]</i> |
| <i>Width</i> | <i>50 mm / 1.969 Inch</i> |
| <i>Height</i> | <i>46.5 mm / 1.831 Inch</i> |
| <i>Depth</i> | <i>79 mm / 3.11 Inch</i> |
| <i>Marking</i> | <i>N #9178; L1 L2 L3</i> |

Images & drawings





Address

WAGO Kontakttechnik GmbH & Co. KG

Hansastr. 27

32423 Minden

Telefon: 0571/887-0

Fax: 0571/887-169

<http://www.wago.com>

© WAGO Kontakttechnik GmbH & Co. KG

Technische Änderungen und Irrtümer vorbehalten.