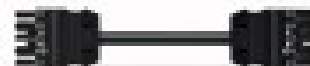




## Interconnecting cable; Socket/plug; 5-pole; 8 m long; Coding A; halogen-free

Item No.: 771-9995/017-801



Interconnecting cable; Socket/plug; 5-pole; 8 m long; Coding A; halogen-free

### Marking

RoHS ✓  
Compliant

### Business data

Supplier	WAGO
Item no.	771-9995/017-801
GTIN / EAN	
Content	1
Order amount	1
Customer item number	

### Notes

All WINSTA® components are 100% protected against mismatching in terms of: a.) plugging different number of poles b.) plugging when turned by 180° c.) plugging when laterally staggered d.) plugging one pole  
Note on Continuous Service Temperature: -35°C ... +85°C  
PVC cable for temperatures 70 °C (including halogen-free)  
Insulating parts for temperatures 105 °C  
Mating cycles: 100, with resistive load  $I_N = 25A$ , tested (4 mm<sup>2</sup>/AWG 12)

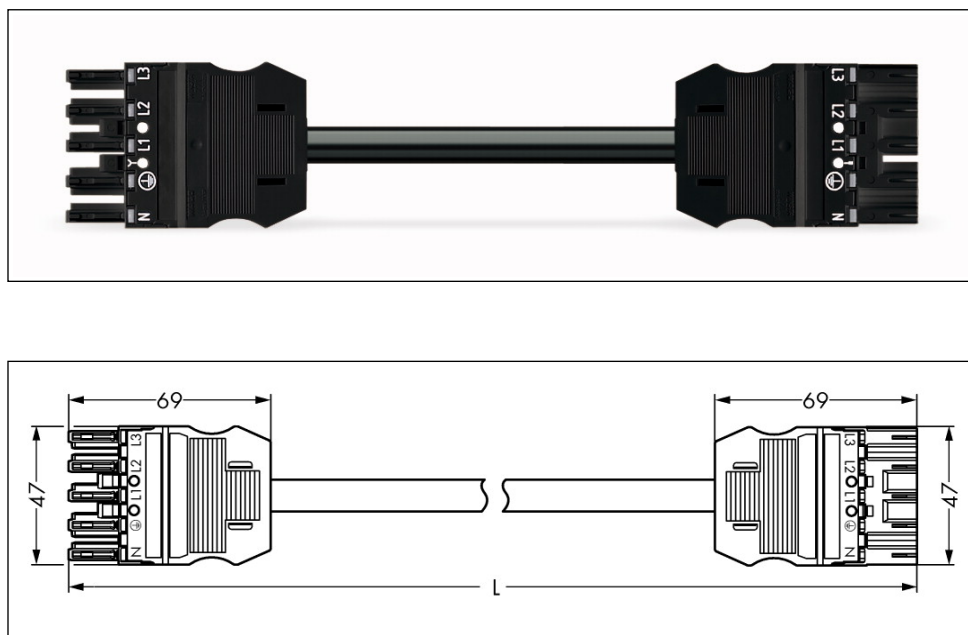
### Technical data

#### Miscellaneous

No. of poles	5
Pin spacing	10 mm (0.394 in)

<b>Technical data</b>	
<i>Total number of potentials</i>	5
<i>Potential marking</i>	N &#9178; L1 L2 L3
<i>Color</i>	black
<i>Connector color</i>	black
<i>Coding</i>	A
<i>Rated impulse voltage (III / 3) [kV]</i>	6 [kV]
<i>Pollution degree (1)</i>	3
<i>Rated current [A]</i>	20 [A]
<i>Legend for ratings</i>	(III / 3) Overvoltage category III /
<i>Mating cycles</i>	200, without resistive load
<i>Mating force of a plug-in connection</i>	approx. 20 ... 70 N (depending on pole number)
<i>Unmating force of a plug-in connection</i>	when unlocked: approx. 20 ... 70 N (depending on pole number)
<i>Retention force of a plug-in connection</i>	when locked: > 80N
<i>Insulating material</i>	Polyamide 66 (PA 66)
<i>Flammability class per UL94</i>	V0
<i>Contact material</i>	Copper or copper alloy, surface-treated
<i>Processing temperature</i>	-5°C ... +40°C
<i>Fire load [MJ]</i>	240.301 [MJ]
<i>Weight [g]</i>	1836.562 [g]
<i>Marking</i>	N &#9178; L1 L2 L3

## Images & drawings



## Address

WAGO Kontakttechnik GmbH & Co. KG

Hansastr. 27

32423 Minden

Telefon: 0571/887-0

Fax: 0571/887-169

<http://www.wago.com>

© WAGO Kontakttechnik GmbH & Co. KG

Technische Änderungen und Irrtümer vorbehalten.