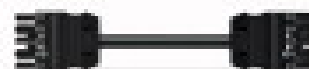




Interconnecting cable; Socket/plug; 5-pole; 5 m long; Coding A; halogen-free

Item No.: 771-9995/017-501



Interconnecting cable; Socket/plug; 5-pole; 5 m long; Coding A; halogen-free

Marking

RoHS ✓
Compliant

Business data

| | |
|----------------------|------------------|
| Supplier | WAGO |
| Item no. | 771-9995/017-501 |
| GTIN / EAN | 4044918588850 |
| Content | 1 |
| Order amount | 1 |
| Customer item number | |

Notes

All WINSTA® components are 100% protected against mismatching in terms of: a.) plugging different number of poles b.) plugging when turned by 180° c.) plugging when laterally staggered d.) plugging one pole
Note on Continuous Service Temperature: -35°C ... +85°C
PVC cable for temperatures 70 °C (including halogen-free)
Insulating parts for temperatures 105 °C
Mating cycles: 100, with resistive load $I_N = 25A$, tested (4 mm²/AWG 12)

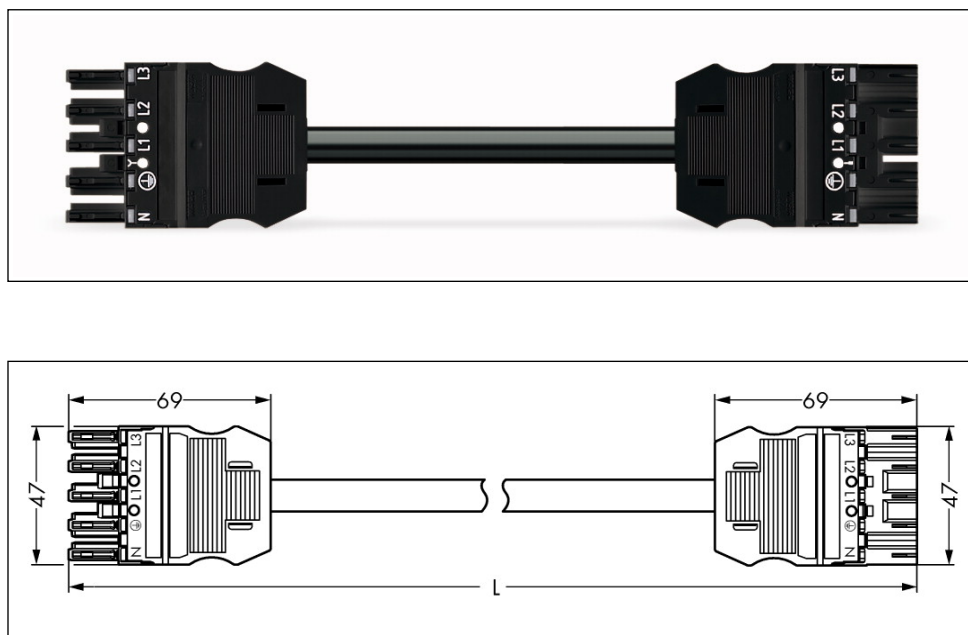
Technical data

Miscellaneous

| | |
|--------------|------------------|
| No. of poles | 5 |
| Pin spacing | 10 mm (0.394 in) |

| Technical data | |
|--|---|
| <i>Total number of potentials</i> | 5 |
| <i>Potential marking</i> | N ⏚ L1 L2 L3 |
| <i>Color</i> | black |
| <i>Connector color</i> | black |
| <i>Coding</i> | A |
| <i>Rated impulse voltage (III / 3) [kV]</i> | 6 [kV] |
| <i>Pollution degree (1)</i> | 3 |
| <i>Rated current [A]</i> | 20 [A] |
| <i>Legend for ratings</i> | (III / 3) Overvoltage category III / |
| <i>Mating cycles</i> | 200, without resistive load |
| <i>Mating force of a plug-in connection</i> | approx. 20 ... 70 N (depending on pole number) |
| <i>Unmating force of a plug-in connection</i> | when unlocked: approx. 20 ... 70 N (depending on pole number) |
| <i>Retention force of a plug-in connection</i> | when locked: > 80N |
| <i>Insulating material</i> | Polyamide 66 (PA 66) |
| <i>Flammability class per UL94</i> | V0 |
| <i>Contact material</i> | Copper or copper alloy, surface-treated |
| <i>Processing temperature</i> | -5°C ... +40°C |
| <i>Fire load [MJ]</i> | 150.271 [MJ] |
| <i>Weight [g]</i> | 1161.292 [g] |
| <i>Marking</i> | N ⏚ L1 L2 L3 |

Images & drawings



Address

WAGO Kontakttechnik GmbH & Co. KG

Hansastr. 27

32423 Minden

Telefon: 0571/887-0

Fax: 0571/887-169

<http://www.wago.com>

© WAGO Kontakttechnik GmbH & Co. KG

Technische Änderungen und Irrtümer vorbehalten.