



Linect® T-connector; Socket/plug; 5-pole; white housing; blue cover; for DALI applications

Item No.: 770-7105



Linect® T-connector; Socket/plug; 5-pole; white housing; blue cover; for DALI applications

Marking

RoHS ✓
Compliant

Business data

Supplier	WAGO
Item no.	770-7105
GTIN / EAN	4050821000402
Content	1
Order amount	20
Customer item number	

Notes

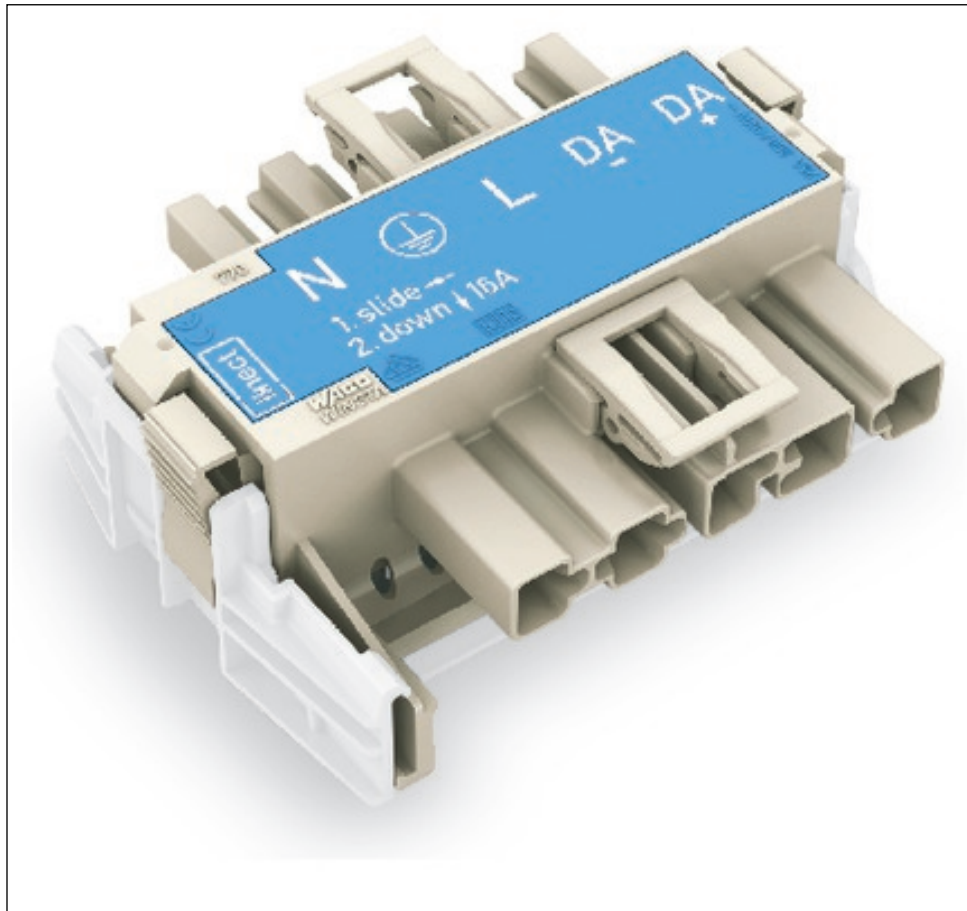
*Hinweis:*Note:All connectors for fixed installations (snap-in versions for lighting fixtures or devices, female locking latch all types of PCB and distribution connectors) are factory-equipped with locking levers to ensure plugs and sockets are securely locked. Additional locking levers are only required for "flying leads" (plug/socket).All WINSTA® components are 100% protected against mismating in terms of:a.) plugging different number of polesb.) plugging when turned by 180°c.) plugging when laterally staggeredd.) plugging one poleNote on Continuous Service Temperature:-35°C ... +85°CPVC cable for temperatures 70 °C (including halogen-free)Insulating parts for temperatures 105 °CMating cycles: 100, with resistive load IN = 25A, tested (4 mm²/AWG 12)

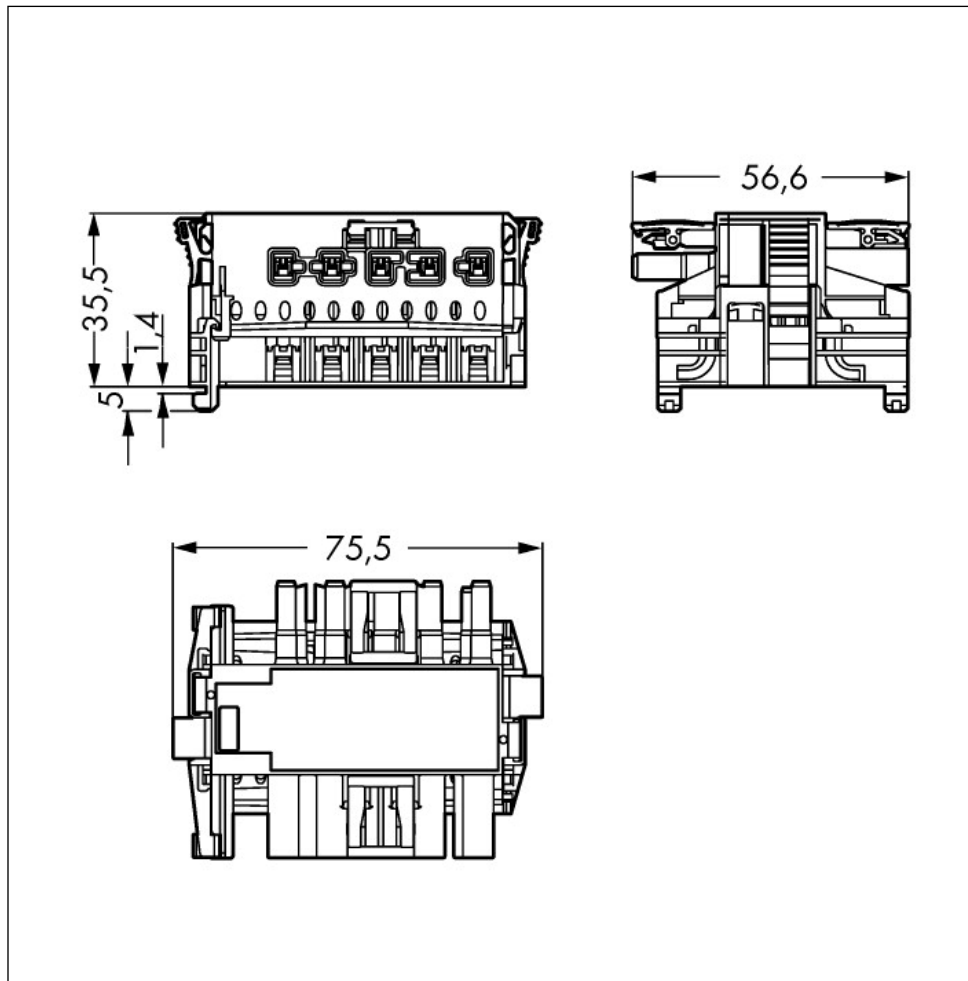
Technical data

Miscellaneous

Technical data	
No. of poles	5
Pin spacing	10 mm (0.394 in)
Total number of potentials	5
Potential marking	N ⏚ L DA- DA+
Color	white
Coding	A
Rated voltage (III / 3) [V]	400 [V]
Rated impulse voltage (III / 3) [kV]	6 [kV]
Pollution degree (1)	3
Rated current [A]	25 [A]
Rated current (2) [A]	16 [A]
Legend for ratings	(III / 3) Overvoltage category III /
Mating cycles	200, without resistive load
Mating force of a plug-in connection	approx. 20 ... 70 N (depending on pole number)
Unmating force of a plug-in connection	when unlocked: approx. 20 ... 70 N (depending on pole number)
Retention force of a plug-in connection	when locked: > 80N
Insulating material	Polyamide 66 (PA 66)
Flammability class per UL94	V0
Contact material	Copper or copper alloy, surface-treated
Processing temperature	-5°C ... +40°C
Fire load [MJ]	0.904 [MJ]
Weight [g]	41.15 [g]
Width	75.5 mm / 2.972 Inch
Height	40.5 mm / 1.594 Inch
Depth	56.6 mm / 2.228 Inch
Marking	N ⏚ L DA- DA+

Images & drawings





Address

WAGO Kontakttechnik GmbH & Co. KG

Hansastr. 27

32423 Minden

Telefon: 0571/887-0

Fax: 0571/887-169

<http://www.wago.com>

© WAGO Kontakttechnik GmbH & Co. KG

Technische Änderungen und Irrtümer vorbehalten.