



**Linect® T-connector; Socket/plug; 3-pole; white housing; white cover**

Item No.: 770-6223



Linect® T-connector; Socket/plug; 3-pole; white housing; white cover

**Marking**

RoHS ✓  
Compliant

**Business data**

Supplier	WAGO
Item no.	770-6223
GTIN / EAN	4050821000389
Content	1
Order amount	25
Customer item number	

**Notes**

*Hinweis:*Note:All connectors for fixed installations (snap-in versions for lighting fixtures or devices, female locking latch all types of PCB and distribution connectors) are factory-equipped with locking levers to ensure plugs and sockets are securely locked. Additional locking levers are only required for "flying leads" (plug/socket).All WINSTA® components are 100% protected against mismatching in terms of:a.) plugging different number of polesb.) plugging when turned by 180°c.) plugging when laterally staggeredd.) plugging one poleNote on Continuous Service Temperature:-35°C ... +85°CPVC cable for temperatures 70 °C (including halogen-free)Insulating parts for temperatures 105 °CMating cycles: 100, with resistive load IN = 25A, tested (4 mm<sup>2</sup>/AWG 12)

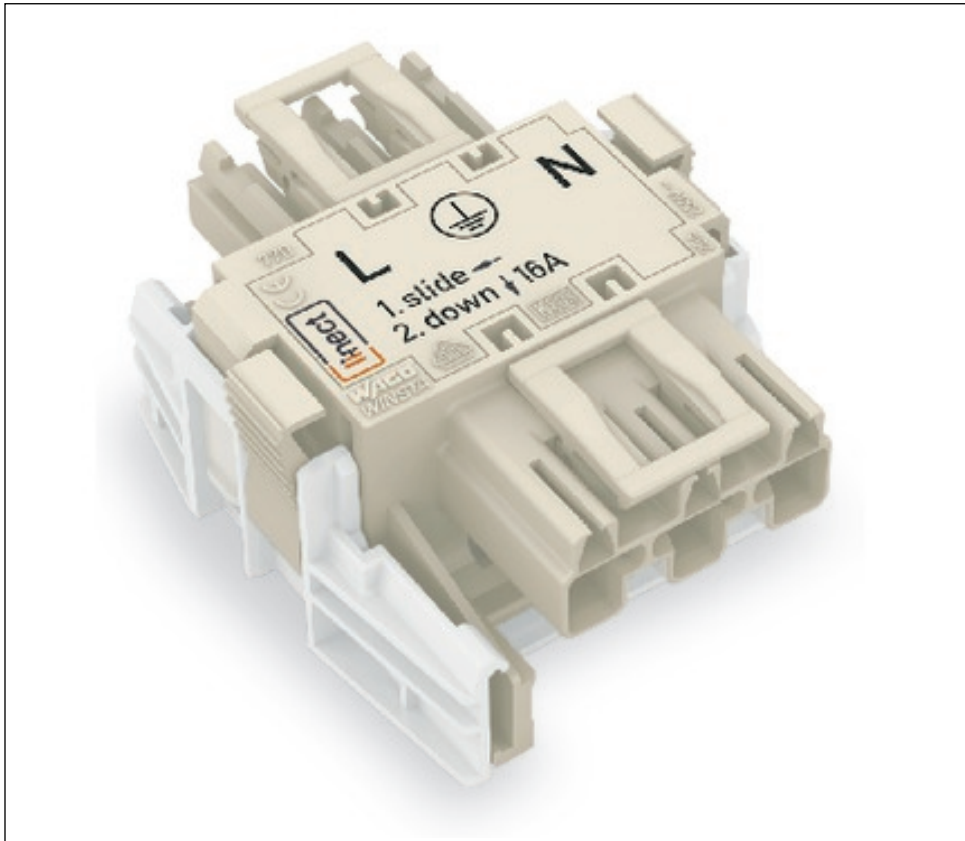
**Technical data**

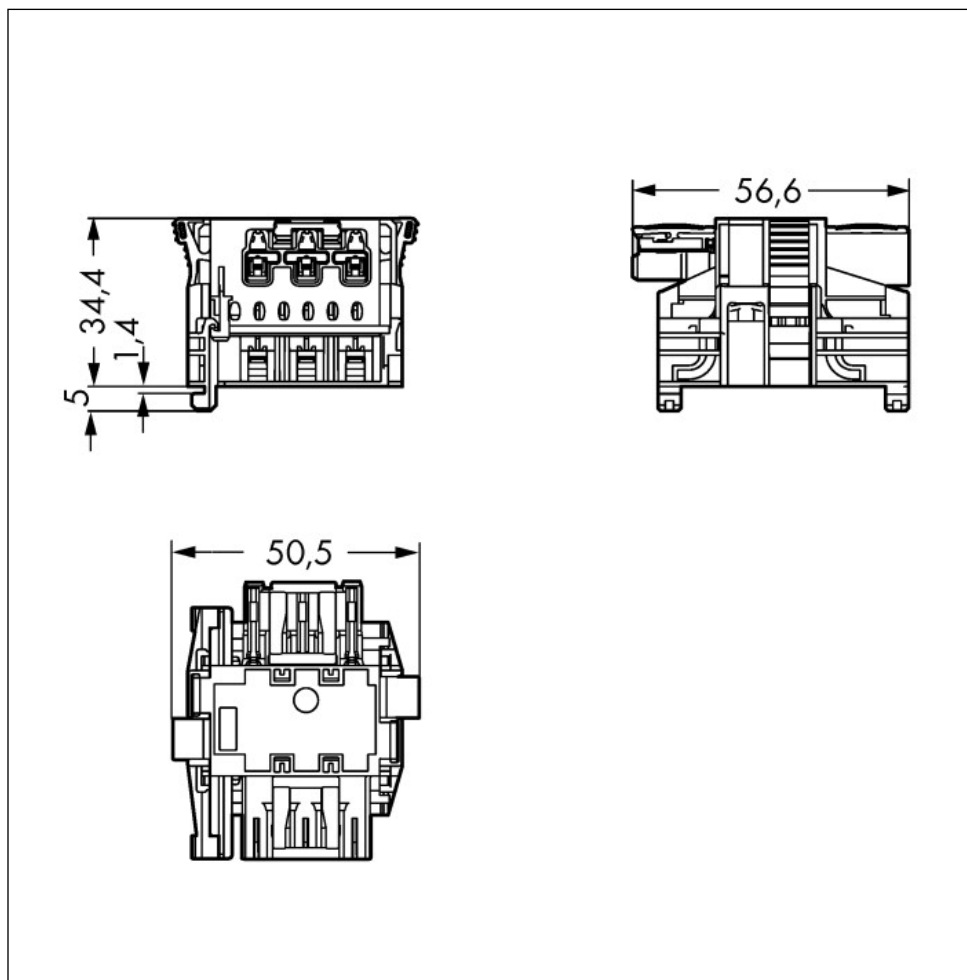
Miscellaneous

No. of poles	3
--------------	---

<b>Technical data</b>	
<i>Pin spacing</i>	10 mm (0.394 in)
<i>Total number of potentials</i>	3
<i>Potential marking</i>	L &#9178; N
<i>Color</i>	white
<i>Coding</i>	A
<i>Rated voltage (III / 3) [V]</i>	250 [V]
<i>Rated impulse voltage (III / 3) [kV]</i>	4 [kV]
<i>Pollution degree (1)</i>	3
<i>Rated current [A]</i>	25 [A]
<i>Rated current (2) [A]</i>	16 [A]
<i>Legend for ratings</i>	(III / 3) Overvoltage category III /
<i>Mating cycles</i>	200, without resistive load
<i>Mating force of a plug-in connection</i>	approx. 20 ... 70 N (depending on pole number)
<i>Unmating force of a plug-in connection</i>	when unlocked: approx. 20 ... 70 N (depending on pole number)
<i>Retention force of a plug-in connection</i>	when locked: > 80N
<i>Insulating material</i>	Polyamide 66 (PA 66)
<i>Flammability class per UL94</i>	V0
<i>Contact material</i>	Copper or copper alloy, surface-treated
<i>Processing temperature</i>	-5°C ... +40°C
<i>Fire load [MJ]</i>	0.599 [MJ]
<i>Weight [g]</i>	25.34 [g]
<i>Width</i>	50.5 mm / 1.988 Inch
<i>Height</i>	39.4 mm / 1.551 Inch
<i>Depth</i>	56.6 mm / 2.228 Inch
<i>Marking</i>	L &#9178; N

Images & drawings





#### Address

WAGO Kontakttechnik GmbH & Co. KG

Hansastr. 27

32423 Minden

Telefon: 0571/887-0

Fax: 0571/887-169

<http://www.wago.com>

© WAGO Kontakttechnik GmbH & Co. KG

Technische Änderungen und Irrtümer vorbehalten.