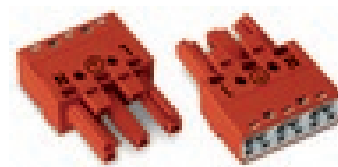


Printview: Socket; without strain relief housing; 3-pole; 100% protected against mismatching; 2-conductor connection; Pin spacing 10 mm / 0.394 in - Item No.: 770-1303



**Socket; without strain relief housing; 3-pole; 100% protected against mismatching; 2-conductor connection; Pin spacing 10 mm / 0.394 in**

Item No.: 770-1303



Socket; without strain relief housing; 3-pole; 100% protected against mismatching; 2-conductor connection; Pin spacing 10 mm / 0.394 in

## Marking

RoHS ✓  
Compliant

## Business data

Supplier	WAGO
Item no.	770-1303
GTIN / EAN	4045454389666
Content	1
Order amount	100
Customer item number	

## Notes

*Hinweis:*Note:All connectors for fixed installations (snap-in versions for lighting fixtures, devices or all types of PCBs and distribution cabinets) are factory-equipped with locking levers to ensure plugs and sockets are securely locked. Additional locking levers are only required for "flying leads" (plug/socket).All WINSTA® components are 100% protected against mismatching in terms of:a.) plugging different number of polesb.) plugging when turned by 180°c.) plugging when laterally staggeredd.) plugging one poleNote on Continuous Service Temperature:-35°C ... +85°C PVC cable for temperatures 70 °C (including halogen-free) Insulating parts for temperatures 105 °C Mating cycles: 100, with resistive load IN = 25A, tested (4 mm<sup>2</sup>/AWG 12)

## Technical data

Printview: Socket; without strain relief housing; 3-pole; 100% protected against mismatching; 2-conductor connection; Pin spacing 10 mm / 0.394 in - Item No.: 770-1303

<b>Technical data</b>	
<i>Miscellaneous</i>	
<i>No. of poles</i>	3
<i>Pin spacing</i>	10 mm (0.394 in)
<i>Total number of connection points</i>	6
<i>Total number of potentials</i>	3
<i>Potential marking</i>	L &#9178; N
<i>Color</i>	red
<i>Coding</i>	P
<i>Rated voltage (III / 3) [V]</i>	250 [V]
<i>Rated impulse voltage (III / 3) [kV]</i>	4 [kV]
<i>Pollution degree (1)</i>	3
<i>Rated current [A]</i>	25 [A]
<i>Legend for ratings</i>	(III / 3) Overvoltage category III /
<i>Mating cycles</i>	200, without resistive load
<i>Connection technology</i>	Push-in CAGE CLAMP®
<i>Number of connection points connector</i>	2
<i>Actuation type</i>	Operating tool
<i>Nominal cross section</i>	4 mm <sup>2</sup> / 12 AWG
<i>Solid conductor</i>	0.5 ... 4 mm <sup>2</sup> / 20 ... 12 AWG
<i>Solid conductor, push-in termination</i>	1.5 ... 4 mm <sup>2</sup> / 16 ... 12 AWG
<i>Stranded conductor</i>	0.5 ... 2.5 mm <sup>2</sup> / 20 ... 14 AWG
<i>Fine-stranded conductor</i>	0.5 ... 4 mm <sup>2</sup> / 20 ... 12 AWG
<i>Fine-stranded conductor with ferrule with plastic collar</i>	0.25 ... 1.5 mm <sup>2</sup> / 20 ... 16 AWG
<i>Fine-stranded conductor with ferrule without plastic collar</i>	0.25 ... 2.5 mm <sup>2</sup> / 20 ... 14 AWG
<i>Fine-stranded conductor with ferrule, push-in termination, m</i>	1.5 mm <sup>2</sup> / 16 AWG
<i>Strip length</i>	9 mm / 0.35 Inch
<i>Mating force of a plug-in connection</i>	approx. 20 ... 70 N (depending on pole number)
<i>Unmating force of a plug-in connection</i>	when unlocked: approx. 20 ... 70 N (depending on pole number)
<i>Retention force of a plug-in connection</i>	when locked: > 80N
<i>Insulating material</i>	Polyamide 66 (PA 66)
<i>Flammability class per UL94</i>	V0
<i>Clamping spring material</i>	Chrome nickel spring steel (CrNi)
<i>Contact material</i>	Copper or copper alloy, surface-treated

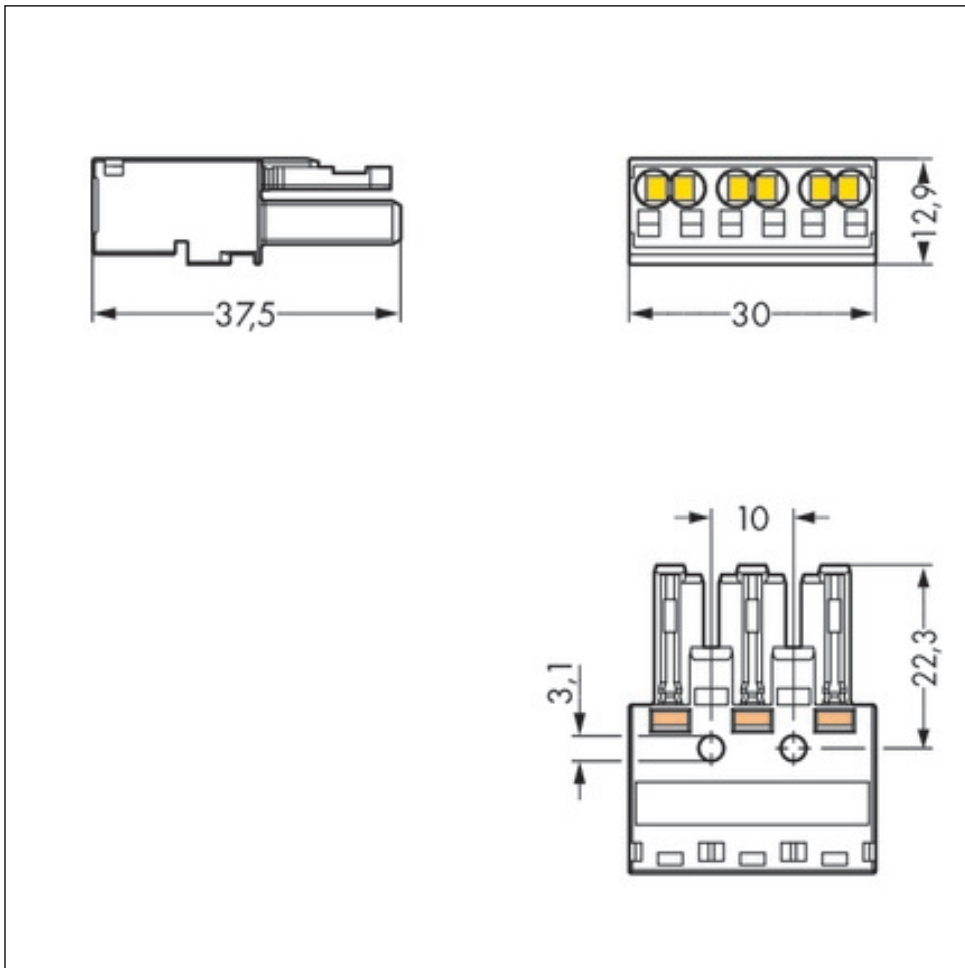
Printview: Socket; without strain relief housing; 3-pole; 100% protected against mismatching; 2-conductor connection; Pin spacing 10 mm / 0.394 in - Item No.: 770-1303

---

<b>Technical data</b>	
<i>Processing temperature</i>	<i>-5°C ... +40°C</i>
<i>Fire load [MJ]</i>	<i>0.159 [MJ]</i>
<i>Weight [g]</i>	<i>9.465 [g]</i>
<i>Width</i>	<i>30 mm / 1.181 Inch</i>
<i>Height</i>	<i>12.9 mm / 0.508 Inch</i>
<i>Depth</i>	<i>37.5 mm / 1.476 Inch</i>
<i>Marking</i>	<i>L &amp;#9178; N</i>

Printview: Socket; without strain relief housing; 3-pole; 100% protected against mismatching; 2-conductor connection; Pin spacing 10 mm / 0.394 in - Item No.: 770-1303

## Images & drawings



**Address**

WAGO Kontakttechnik GmbH & Co. KG

Hansastr. 27

32423 Minden

Telefon: 0571/887-0

Fax: 0571/887-169

<http://www.wago.com>

© WAGO Kontakttechnik GmbH & Co. KG

Technische Änderungen und Irrtümer vorbehalten.