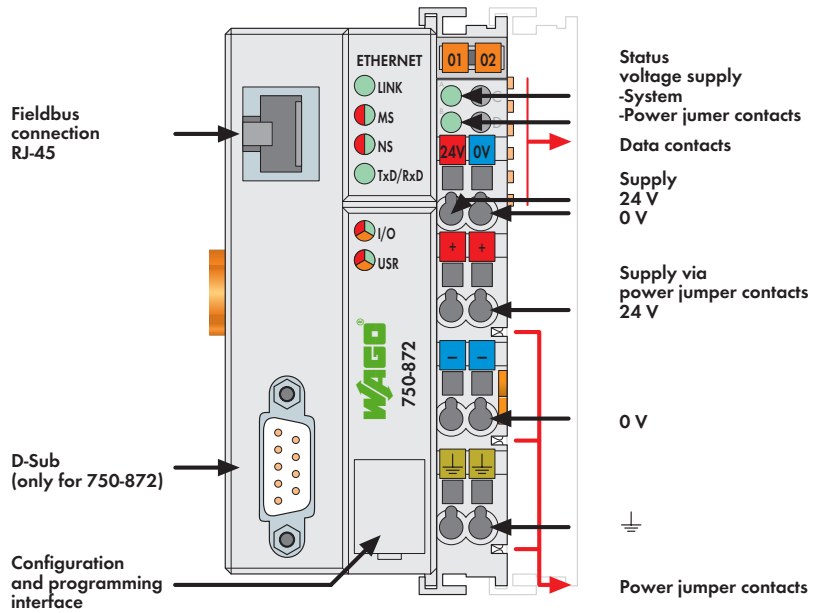


PLC - Programmable Fieldbus Telecontroller

32-bit CPU, multitasking



This PLC from the WAGO-I/O-SYSTEM meets all requirements for telecontrol technology applications.

The controller offers many different application protocols for I/O data control (MODBUS TCP/RTU, IEC 60870-5-101/-104, 3964R, RK512, Ethernet/IP) or for system management and diagnostics (HTTP, BootP, DHCP, DNS, SNTP, FTP, SNMP and SMTP).

For Web-based applications, HTML pages can be generated on an internal server. Programs are directly accessible via XML and ASP. Furthermore, the controller incorporates library functions for e-mail, SOAP, ASP, IP configuration, ETHERNET sockets and file system.

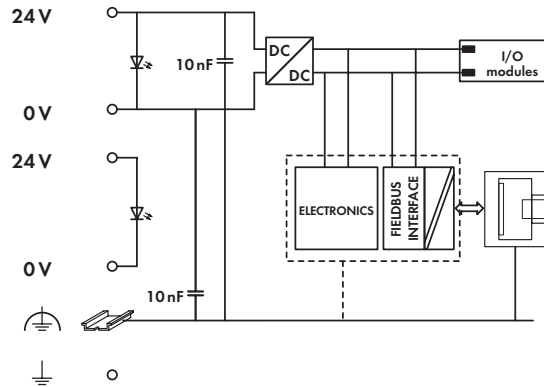
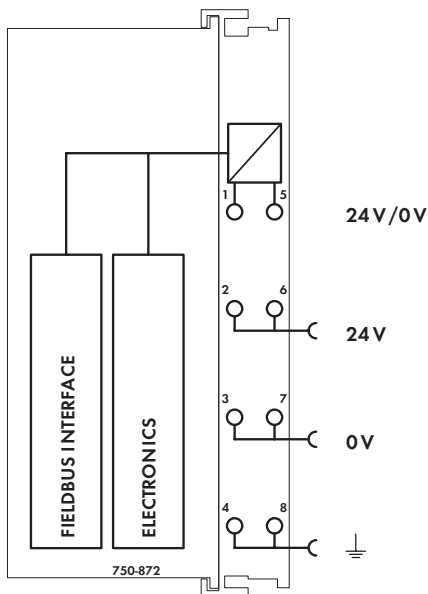
The controller has a battery-backed RTC and 32-bit multitasking CPU. Programming of the application is done in accordance with IEC 61131-3. The programmer can access all fieldbus and I/O data.

IEC 60870-5-101/-104, IEC 61850 and IEC 61400-25 telecontrol protocols can be accessed via CoDeSys function blocks.

For users who do not want to write a PLC program, protocols may also simply be configured via CoDeSys tool.

Description	Item No.	Pack. Unit
Telecontrol Controller RJ-45 + D-Sub	750-872	1
Accessories		
WAGO-I/O-PRO V2.3, RS-232 kit	759-333	1
Miniature WSB Quick marking system		
plain	248-501	5
with marking	see pages 352 ... 353	
Approvals		
Conformity marking	Also see "Approvals Overview" in Section 1	
Shipbuilding	CE	
UL 508	pending	

System Data	
System data ETHERNET:	
No. of controllers connected to Master	limited by ETHERNET specification
Transmission medium	Twisted Pair S-UTP 100 Ω Cat 5
Max. length of fieldbus segment	100 m hub station and 750-872; max. length of network limited by ETHERNET specification
Baud rate	10/100 Mbit/s
Buscoupler connection	RJ-45
Protocols	MODBUS/TCP (UDP), EtherNet/IP, HTTP, BootP, DHCP, DNS, NTP, SNTP, FTP, SNMP
System data Serial:	
No. of controllers connected to Master	limited
Transmission medium	Shielded Cu cable 2 (4) x 0.25 mm ²
Max. length of fieldbus segment	1200 m (depending on baud rate/cable)
Baud rate	9600 baud ... 115 200 baud
Buscoupler connection	1 x D-Sub 9; socket
Libraries	IEC 60870-5-101/-104, 3964R/RK512, IEC 61850, IEC 61400-25
Programming	WAGO-I/O-PRO V2.3
IEC 61131-3	IL, LD, FBD, ST, FC



Technical Data

Number of I/O modules with bus extension	64 250
Fieldbus	
Max. input process image	2 Kbytes
Max. output process image	2 Kbytes
Max. input variables	512 bytes
Max. output variables	512 bytes
Configuration	via PC
Program memory	1024 Kbytes
Data memory	1024 Kbytes
Non-volatile memory (retain)	24 Kbytes (16 Kbytes retain, 8 Kbytes flag)
File system	2 Mbytes
Power supply	24 V DC (-25 % ... +30 %)
Max. input current (24 V)	500 mA
Efficiency of the power supply	87 %
Internal current consumption (5 V)	300 mA
Total current for I/O modules (5 V)	1700 mA
Isolation	500 V system/supply
Voltage via power jumper contacts	24 V DC (-25 % ... +30 %)
Current via power jumper contacts (max.)	10 A DC
IEC60870-5-101 and -104 library:	
Document of conformity	see www.wago.com
Number of control stations	4
Number of information objects	150
Functions	Client and server
IEC 61850 and 61400-25 library	
Document of conformity	see www.wago.com
Function	Server

General Specifications

Operating temperature	0 °C ... +55 °C
Wire connection	CAGE CLAMP®
Cross sections	0.08 mm ² ... 2.5 mm ² / AWG 28 ... 14
Stripped lengths	8 ... 9 mm / 0.33 in
Dimensions (mm) W x H x L	51 x 65 x 100
	Height from upper-edge of DIN 35 rail
Weight	184 g
Storage temperature	-25 °C ... +85 °C
Relative air humidity (no condensation)	95 %
Vibration resistance	acc. to IEC 60068-2-6
Shock resistance	acc. to IEC 60068-2-27
Degree of protection	IP20
EMC: CE - immunity to interference	acc. to EN 61000-6-2 (2005)
EMC: CE - emission of interference	acc. to EN 61000-6-4 (2007)