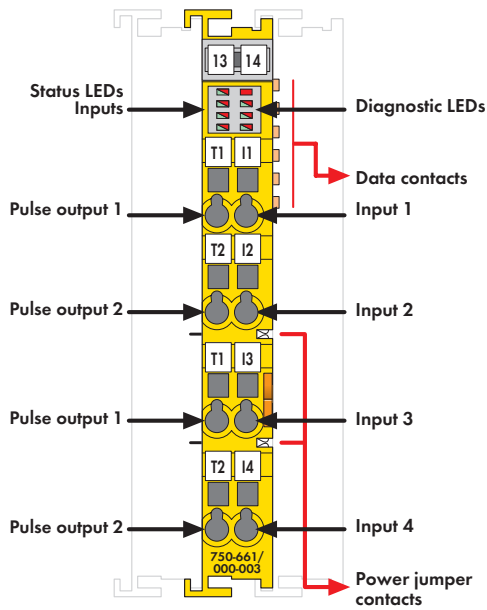
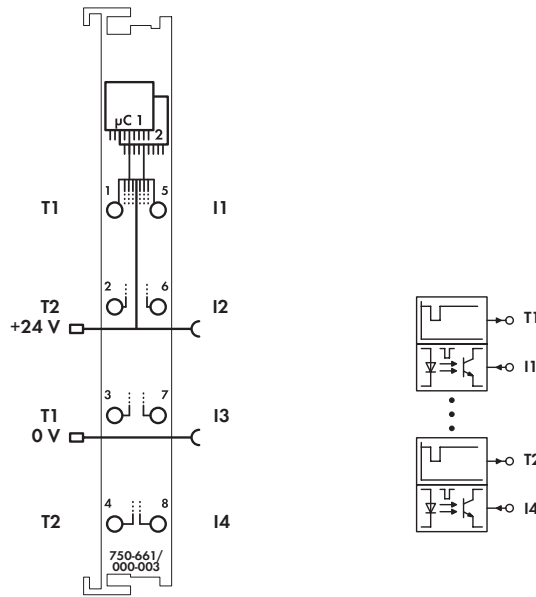


4-Channel Digital Input Module PROFI-safe V2 iPar







Delivered without miniature WSB markers



Both 750-661/000-003 and 753-661/000-003 PROFI-safe Input Modules connect potential-free, emergency-off switches with contacts, protection door switches, mode selectors, safety sensors and semiconductor outputs. The modules have 4 clock-sensitive inputs (I1-I4) fed via 2 differently clocked outputs (T1-T2); clock outputs are short-circuit protected. Inputs are continually monitored for cross circuits and voltage supply from separate sources. Additional safety relevant parameters (e.g., operating modes, switching off test pulses, discrepancy or filter times) can be configured via WAGO-I/O-CHECK. The configuration tool can be conveniently integrated into engineering systems supporting both CC2 and CC3 tool calling interfaces (TCI). When exchanging modules, parameters are automatically downloaded into the control unit via PROFI-safe-compatible iPar server – depending on the settings. The PROFI-safe address can be set using the DIP switch located on the side of the module, or via WAGO-I/O-CHECK.

The modules support both PROFI-safe V1 (PROFIBUS) and V2 (PROFIBUS, PROFINET) protocols. An optocoupler provides electrical isolation between the bus and the field side. Individual I/O modules can be arranged in any combination when configuring the field-bus node.

To protect the module against surge voltages (over-voltage protection acc. to IEC 61000-4-5), the 750-626 filter module or an external surge filter must be used to filter the 24V supply voltage. Reference the product manual for further information (available in German and English).

| Description | Item No. | Pack. Unit |
|--|--|------------|
| 4FDI 24V PROFI-safe V2 iPar | 750-661/000-003 | 1 |
| 4FDI 24V PROFI-safe V2 iPar (without connector) | 753-661/000-003 | 1 |
| Accessories | | |
|  753 Series connector | 753-120 | 25 |
|  Coding elements | 753-150 | 100 |
| Miniature WSB Quick marking system | | |
|  plain | 248-501 | 5 |
|  with marking | see pages 352 ... 353 | |
| Standards and Approvals | | |
| Safety standards | Also see "Approvals Overview" in Section 1 | |
| Conformity marking | CE | |
| UL 508 | UL 508 | |

| Technical Data | |
|---------------------------------------|---|
| Inputs: | |
| Sensor inputs | I1 ... I4; clock sensitive to T1 ... T2 |
| | Type 1 acc. to IEC61131 |
| Input current (typ.) | 2.2 mA |
| Input frequency (max.) | 50 Hz |
| General specifications: | |
| Achievable safety classes | SIL 3; Cat. 4, PL e |
| Voltage supply | 5 V system voltage via internal bus |
| | 24 V via power jumper contacts |
| Voltage via power jumper contacts | 24 V DC (20.4 V ... 28.8 V) |
| Current consumption typ. (internal) | 145 mA |
| Current consumption typ. (field side) | 20 mA |
| Wire connection | CAGE CLAMP® |
| Cross sections | 0.08 mm² ... 2.5 mm² / AWG 28 ... 14 |
| Stripped lengths, 750/753 Series | 8 ... 9 mm / 0.33 in |
| | 9 ... 10 mm / 0.37 in |
| Width | 12 mm |
| Weight | 51 g |
| EMC CE-Immunity to interference | acc. to EN 61000-6-2 (2005) |
| EMC CE-Emission of interference | acc. to EN 61000-6-4 (2007) |