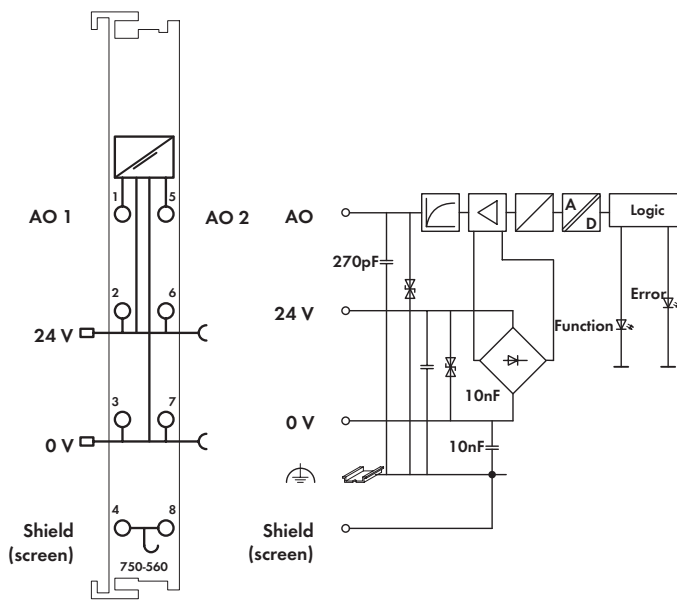
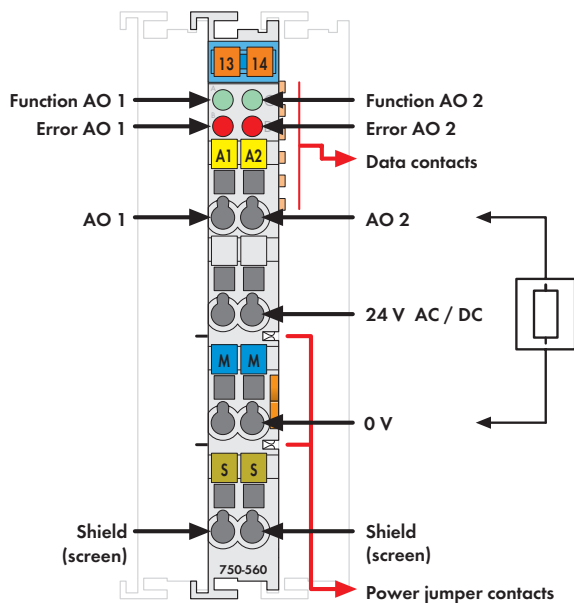


# 2-Channel Analog Output Module 0-10 V

10 bits, 10 mA



Delivered without miniature WSB markers

The analog output module generates signals of a standard magnitude 0-10V.

The output signal is electrically isolated and transmitted with a resolution of 10 bits.

The outputs are short-circuit proof.


Each channel is equipped with an LED to indicate short-circuits or overloads  $\geq 15\text{mA}$ .

The shield (screen) is directly connected to the DIN rail.

Both the internal system and field side supply are used to power the module.

The output channels have one common ground potential.

The analog outputs and the 24V supply have one common ground potential so that actuators such as servo drives can be connected using a 3-conductor cable.

Description	Item No.	Pack. Unit
2AO 0-10 V DC 10 Bit 10mA 24V	750-560	1
<b>Accessories</b>		
<b>Miniature WSB Quick marking system</b>		
 plain	248-501	5
with marking	see pages 352 ... 353	
<b>Approvals</b>		
Also see "Approvals Overview" in Section 1		
Conformity marking	CE	
UL 508		
ANSI/ISA 12.12.01	pending	
EN 60079-0, -15	pending	
EN 61241-0, -1		

Technical Data	
No. of outputs	2
Current consumption (internal)	16 mA
Voltage via power jumper contacts	24 V AC/DC
Signal voltage	0 V ... 10 V
Load impedance	$\geq 1 \text{ k}\Omega$
Resolution	10 bits
Conversion time	approx. 10 ms
Measuring error (25 °C)	$< \pm 0.2 \%$ of the full scale value
Temperature coefficient	$< \pm 0.02 \%$ /K of the full scale value
Isolation	500 V system/supply
Bit width	2 x 16 bits data 2 x 8 bits control/status (option)
Wire connection	CAGE CLAMP®
Cross sections	0.08 mm <sup>2</sup> ... 2.5 mm <sup>2</sup> / AWG 28 ... 14
Stripped lengths	8 ... 9 mm / 0.33 in
Width	12 mm
Weight	53.5 g
EMC: CE - immunity to interference	acc. to EN 61000-6-2 (2005)
EMC: CE - emission of interference	acc. to EN 61000-6-4 (2007)