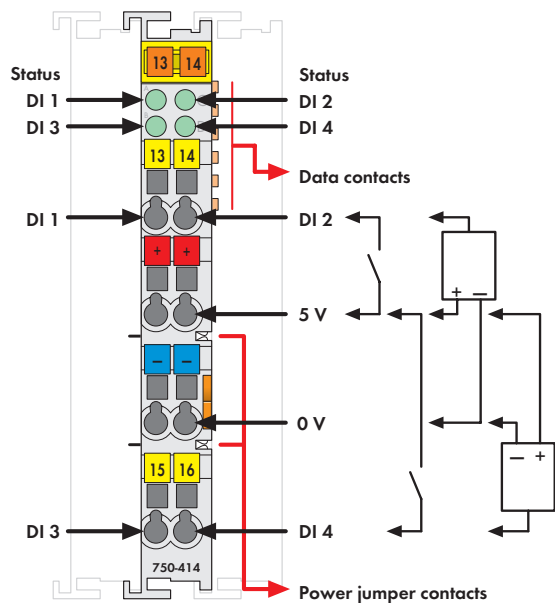
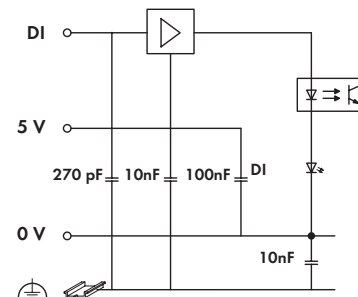
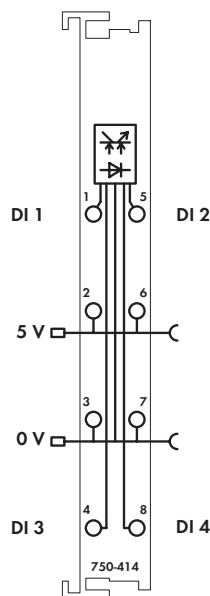


4-Channel Digital Input Module 5 V DC

2- to 3-conductor connection; high-side switching



Delivered without miniature WSB markers




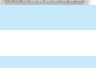
The digital input module receives control signals from digital field devices (sensors, etc.).

Each input module has a noise-rejection filter.

An optocoupler is used for electrical isolation between the bus and the field side.

Notice:

An additional supply module must be added for operation with 5VDC.

Description	Item No.	Pack. Unit
4DI 5V DC 0.2ms	750-414	1
Accessories		
Miniature WSB Quick marking system		
 plain	248-501	5
 with marking	see pages 352 ... 353	
Approvals		
Also see "Approvals Overview" in Section 1		
Conformity marking	CE	
UL 508		
ANSI/ISA 12.12.01	Class I, Div. 2, Grp. ABCD, T4	
EN 50021	II 3 G EEx nA II T4	

Technical Data	
Number of inputs	4
Current consumption (internal)	5 mA
Voltage via power jumper contacts	5 V DC
Signal voltage (0)	0 V ... +0.8 V DC
Signal voltage (1)	2.4 V ... 5 V DC
Input filter	0.2 ms
Input current (typ.)	50 µA
Isolation	500 V system/supply
Internal bit width	4 bits
Wire connection	CAGE CLAMP®
Cross sections	0.08 mm ² ... 2.5 mm ² / AWG 28 ... 14
Stripped lengths	8 ... 9 mm / 0.33 in
Width	12 mm
Weight	49.5 g
EMC: CE - immunity to interference	acc. to EN 61000-6-2 (2005)
EMC: CE - emission of interference	acc. to EN 61000-6-4 (2007)