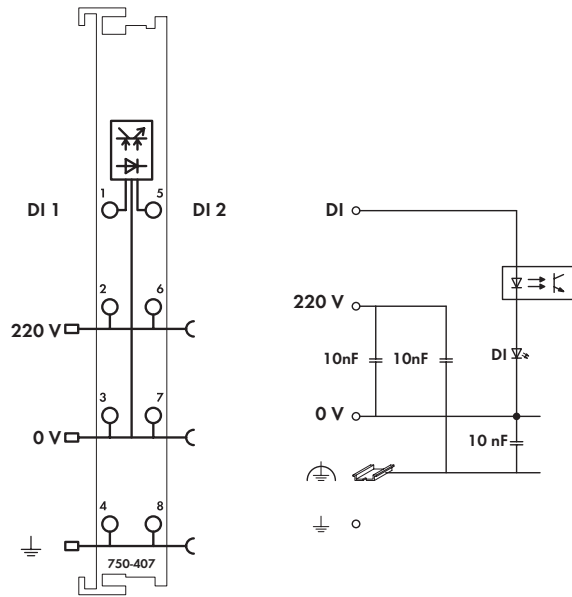
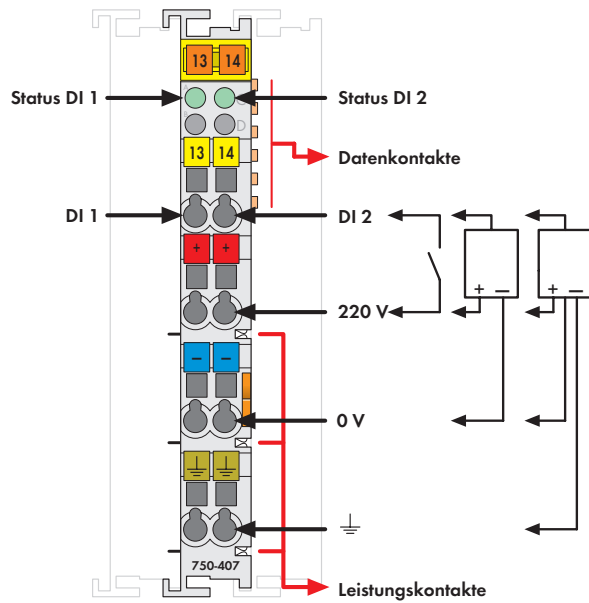


2-Channel Digital Input Module 220 V DC

2- to 4-conductor connection; high-side switching




Delivered without miniature WSB markers

The digital input module receives control signals from digital field devices (e.g., sensors).

The module is a 4-conductor device allowing direct connection of sensors with ground wire.

Each input module has a 3.0 ms noise-rejection filter.

An optocoupler provides electrical isolation between the bus and the field side.

Description	Item No.	Pack. Unit
2DI 220V DC 3.0ms	750-407	1
Accessories		
Miniature WSB Quick marking system		
 plain	248-501	5
with marking	see pages 352 ... 353	
Approvals		
Also see "Approvals Overview" in Section 1		
Conformity marking	CE	
UL 508		

Technical Data	
Number of inputs	2
Current consumption (internal)	5 mA
Voltage via power jumper contacts	220 V DC (-20 % ... +25 %)
Signal voltage (0)	-3 V ... +100 V DC
Signal voltage (1)	160 V ... 286 V DC
Input filter	3.0 ms
Input current (typ.)	1.2 mA at 220 V
Isolation	2.5 kV system/supply
Internal bit width	2 bits
Wire connection	CAGE CLAMP®
Cross sections	0.08 mm ² ... 2.5 mm ² / AWG 28 ... 14
Stripped lengths	8 ... 9 mm / 0.33 in
Width	12 mm
Weight	48 g
EMC: CE - immunity to interference	acc. to EN 61000-6-2 (2007)
EMC: CE - emission of interference	acc. to EN 61000-6-3 (2007)