

749611-9 ✓ ACTIVE

AMPLIMITE | AMPLIMITE 0.50 Series

TE Internal #: 749611-9

IDC D-Sub Connectors, Receptacle, 30 – 28 AWG Solid Wire Size, .

05 – .1 mm² Solid Wire Size, Cable-to-Panel, 100 Position,

AMPLIMITE 0.50 Series

[View on TE.com >](#)



Connectors > D-Shaped Connectors > D-Sub Connectors > IDC D-Sub Connectors > IDC D-Sub: Receptacle Assembly, Panel Mount, Signal, 1.27 mm



Connector & Housing Type: **Receptacle**

Solid Wire Size: **.05 – .1 mm²**

Shielded: **No**

Connector System: **Cable-to-Panel**

[All IDC D-Sub: Receptacle Assembly, Panel Mount, Signal, 1.27 mm \(20\)](#)

Features

Product Type Features

Rails	With
Connector & Housing Type	Receptacle
Connector System	Cable-to-Panel
Connector Product Type	Connector Assembly
Sealable	No
Connector & Contact Terminates To	Wire & Cable

Configuration Features

Number of Positions	100
Number of Rows	2
Compatible With Wire & Cable Type	Ribbon Cable, Round Jacketed Cable

Body Features

Bracket Material	Zinc
Color	Black
Bracket Plating Material	Nickel over Copper
Cover Material	Thermoplastic
Ribbon Cable Centerline Spacing	.64 mm[.025 in]
Shell Material	Steel
Shell Plating Material	Nickel over Copper



Contact Features

	30 μin
Contact Mating Area Plating Material	Gold or Gold Flash over Palladium Nickel
Contact Underplating Material	Nickel, Palladium Nickel
PCB Contact Termination Area Plating Material	Tin-Lead
Contact Base Material	Phosphor Bronze
Contact Current Rating (Max)	1 A

Termination Features

Termination Cover Type	Standard
Termination Cover Method	Assembled
Termination Cover	Without
Termination Method to Wire & Cable	Insulation Displacement (IDC)

Mechanical Attachment

Mating Connector Lock	Without
Mounting Angle	None
Mating Connector Lock Type	Latch Blocks
Panel Mount Feature	With
PCB Mount Retention Type	None
Detent	With
Screw & Hole Thread Size	2-56
Connector Mounting Type	Panel Mount

Housing Features

Housing Material	Thermoplastic
Housing Color	Black
Centerline (Pitch)	1.27 mm[.05 in]

Dimensions

Insulation Diameter (Max)	.91 mm
Accepts Wire Insulation Diameter Range	.74 – .91 mm[.029 – .036 in]
Solid Wire Size	.05 – .1 mm ²
Wire Size	.05 – .09 mm ²

Usage Conditions

Operating Temperature Range	-55 – 105 °C[-67 – 221 °F]
-----------------------------	----------------------------



Operation/Application

Shielded	No
Circuit Application	Signal

Industry Standards

UL Flammability Rating	UL 94V-0
Cover Flammability Rating	UL 94V-0

Packaging Features

Packaging Method	Tube
Packaging Quantity	6

Product Compliance

[For compliance documentation, visit the product page on TE.com>](#)

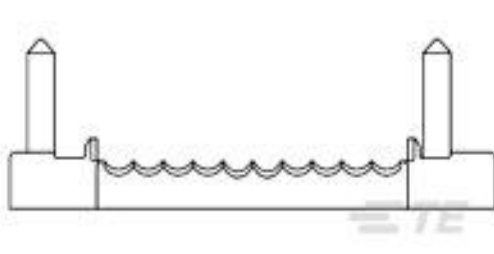
EU RoHS Directive 2011/65/EU	Not Yet Reviewed
EU ELV Directive 2000/53/EC	Not Compliant
China RoHS 2 Directive MIIT Order No 32, 2016	Restricted Materials Above Threshold
EU REACH Regulation (EC) No. 1907/2006	Current ECHA Candidate List: JUNE 2022 (224) Candidate List Declared Against: DEC 2012 (138) SVHC > Threshold: Not Yet Reviewed
Halogen Content	Not Yet Reviewed for halogen content
Solder Process Capability	Not applicable for solder process capability

Product Compliance Disclaimer


This information is provided based on reasonable inquiry of our suppliers and represents our current actual knowledge based on the information they provided. This information is subject to change. The part numbers that TE has identified as EU RoHS compliant have a maximum concentration of 0.1% by weight in homogenous materials for lead, hexavalent chromium, mercury, PBB, PBDE, DBP, BBP, DEHP, DIBP, and 0.01% for cadmium, or qualify for an exemption to these limits as defined in the Annexes of Directive 2011/65/EU (RoHS2). Finished electrical and electronic equipment products will be CE marked as required by Directive 2011/65/EU. Components may not be CE marked. Additionally, the part numbers that TE has identified as EU ELV compliant have a maximum concentration of 0.1% by weight in homogenous materials for lead, hexavalent chromium, and mercury, and 0.01% for cadmium, or qualify for an exemption to these limits as defined in the Annexes of Directive 2000/53/EC (ELV). Regarding the REACH Regulations, TE's information on SVHC in articles for this part number is still based on the European Chemical Agency (ECHA) 'Guidance on requirements for substances in articles' (Version: 2, April 2011), applying the 0.1% weight on weight concentration threshold at the finished product level. TE is aware of the European Court of Justice ruling of September 10th, 2015 also known as O5A (Once An Article Always An Article) stating that, in case of 'complex object', the threshold for a SVHC must be applied to both the product as a whole and simultaneously to each of the articles forming part of its composition. TE has evaluated this ruling based on the new ECHA "Guidance on requirements for substances in articles" (June 2017, version 4.0) and will be updating its statements accordingly.



Compatible Parts

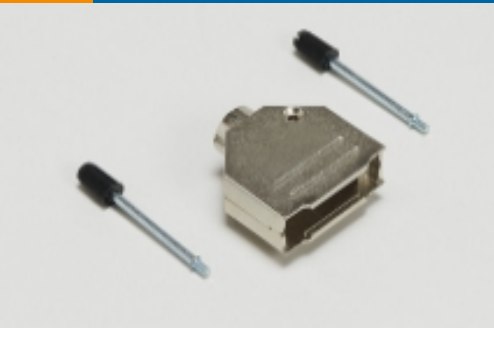


TE Part # 749108-8
100 50SR CBL CONN TERM COVER



TE Part # 853239-1
PANEL MOUNT RECPT HLDR IS9584

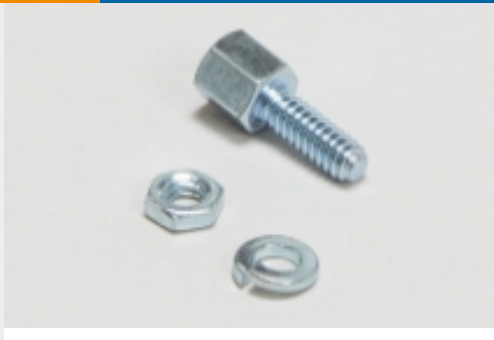
Also in the Series | AMPLIMITE 0.50 Series



D-Sub Backshells & Clamps(31)




D-Sub Covers(20)



D-Sub Locking & Mounting(8)



IDC D-Sub Connectors(76)



Insertion & Extraction Tools(1)



PCB D-Sub Connectors(191)

Customers Also Bought



TE Part #208271-3
PIN CONT, SZ 12



TE Part #208265-3
PIN CONT,XZ 20,NIC 600



TE Part #3-2176305-9
RP 1E 0.1W 267R 0.1% 25PPM 5K RL



TE Part #6-2176371-2
RQ 0603 20K 0.1% 10PPM 5K RL



Documents

Product Drawings

100 50SR PANEL MOUNT RCPT

English

CAD Files

Customer View Model

[ENG_CVM_749611-9_T.3d_igs.zip](#)

English

Customer View Model

[ENG_CVM_749611-9_T.3d_stp.zip](#)

English

Customer View Model

[ENG_CVM_749611-9_T.2d_dxf.zip](#)

English

3D PDF

English

3D PDF

3D

Customer View Model

[ENG_CVM_CVM_749611-9_N.2d_dxf.zip](#)

English

Customer View Model

[ENG_CVM_CVM_749611-9_N.3d_igs.zip](#)

English

Customer View Model

[ENG_CVM_CVM_749611-9_N.3d_stp.zip](#)

English



By downloading the CAD file I accept and agree to the [Terms and Conditions](#) of use.

Product Specifications

Application Specification

English

Agency Approvals

UL

English