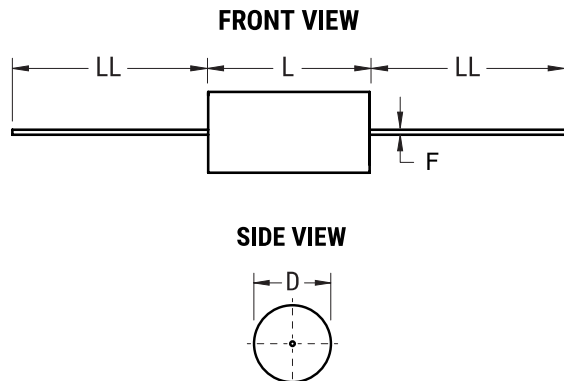


KEMET Part Number: A72SQ2220AA00K
(72SQ2220AA00K)

KEMET

a YAGEO company

A72, Film, Film/Foil Polypropylene, General Purpose, 0.022 uF, 10%, 450 VAC, 1500 VDC, 85°C



General Information	
Series:	A72
Dielectric:	Film/Foil Polypropylene
Style:	Axial
RoHS:	Yes
Lead:	Wire Leads
AEC-Q200:	No
Component Weight:	3.6 g
Miscellaneous:	Above 85C DC And AC Voltage Derating Is 1.25%/C. maxK0 = 18000000.

Dimensions	
D	12.5mm MAX
L	28mm MAX
LL	40mm +/-5mm
F	0.8mm +/-0.05mm

Specifications	
Capacitance:	0.022 uF
Capacitance Tolerance:	10%
Voltage AC:	450 VAC
Voltage DC:	1500 VDC, 1125 VDC (105C)
Temperature Range:	-55/+105°C
Rated Temperature:	85°C
Dissipation Factor:	0.05% 10kHz, 0.1% 100kHz
Insulation Resistance:	100 GOhms
Max dV/dt:	6000 V/us
Inductance:	28 nH

Packaging Specifications	
Packaging:	Bulk, Bag
Packaging Quantity:	300

Statements of suitability for certain applications are based on our knowledge of typical operating conditions for such applications, but are not intended to constitute - and we specifically disclaim - any warranty concerning suitability for a specific customer application or use. This Information is intended for use only by customers who have the requisite experience and capability to determine the correct products for their application. Any technical advice inferred from this Information or otherwise provided by us with reference to the use of our products is given gratis, and we assume no obligation or liability for the advice given or results obtained.

KEMET

a YAGEO company