

HTG Signal horn

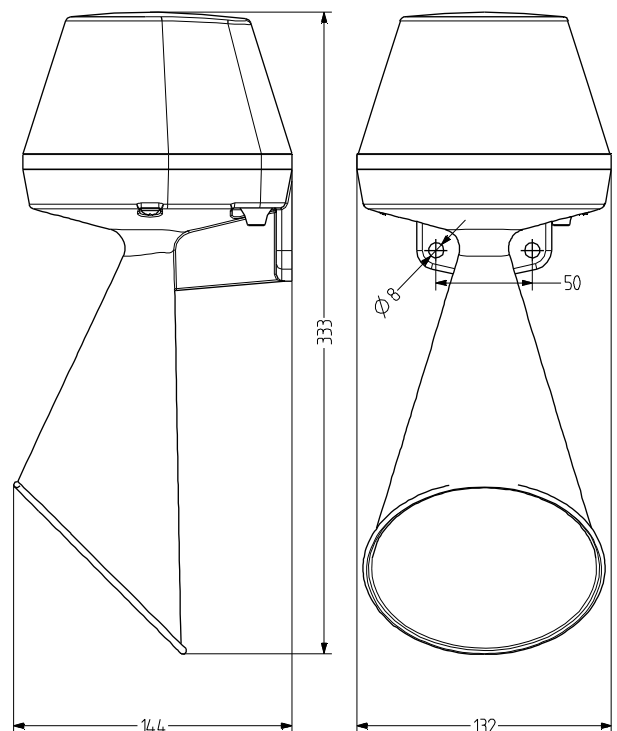
- Well-designed electromechanical signal horn
- For industrial and general applications
- Degree of protection IP 65

- Fully developed and proven technology – typical horn tone
- Comprehensive range of AC and DC nominal voltages
- Die-cast aluminium housing, epoxy powder-coated



TECHNICAL DATA

Housing	Die-cast aluminium, epoxy powder-coated grey (RAL 7000/7015)
Type of mounting	any, Sound outlet opening at bottom
Cable entry	4,5-12 mm
Connection technology	Terminal up to 2,5 mm ²
Tone	Steady tone
Volume	108 dB
Duty cycle	100 %
Operating temperature	-20 °C / +50 °C
Degree of protection	IP65
Weight	1,6 kg



HTG

ORDER DATA

Nominal voltage	Voltage range (V)	Nominal current (A)	Mains frequency	Order number
24 V AC	+/- 10 %	1,200	50 Hz	713 100 105
24 V DC	+/- 10 %	0,600		713 100 005
48 V AC	+/- 10 %	0,500	50 Hz	713 100 108
110 V AC	+/- 10 %	0,240	50 Hz	713 100 110
120 V AC	+/- 10 %	0,200	60 Hz	713 100 211
230 V AC	+/- 10 %	0,100	50 Hz	713 100 113
240 V AC	+/- 10 %	0,120	60 Hz	713 100 214

