

Shock-Safe Fuseholder, 10.3 x 38 mm, Fingergrip



600 VAC · 4.5W/25A25A (UL/CSA)



Description

- Screw type fuse carrier

Standards

- UL 4248-1 / UL 512
- CSA C22.2 no. 39

Approvals

- UL File Number: E41738
- CSA File Number: 23151

Weblinks

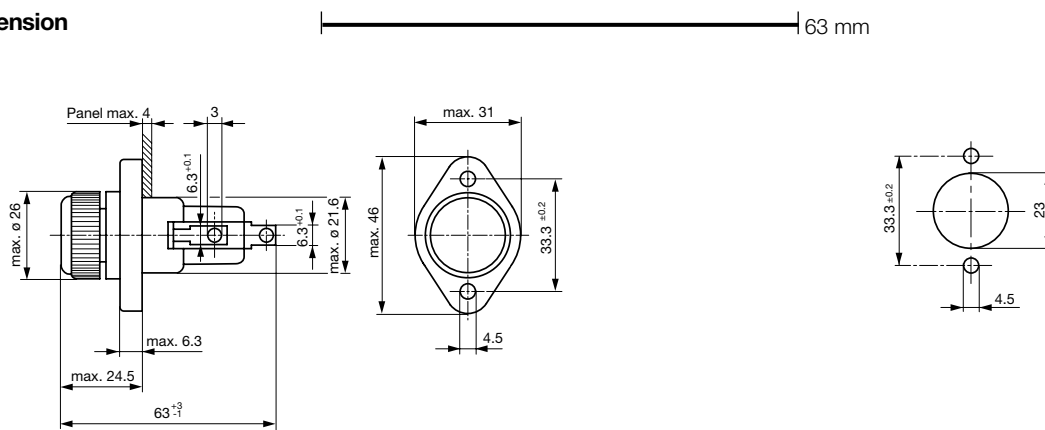
[pdf datasheet](#), [html-datasheet](#), [General Product Information](#), [Packaging details](#), [Approvals](#), [CE declaration of conformity](#), [RoHS](#), [CHINA-RoHS](#), [REACH](#), [Distributor-Stock-Check](#), [Detailed request for product](#)

Technical Data

Fuse-Link	10.3 x 38 mm
Mounting	Panel Mount, Front Side
Terminal	Quick-Connect 6.3 x 0.8 mm
Rated Voltage	600 VAC
Rated current	25 A (UL/CSA)
Rated Power Acceptance IEC	4.5 W / 25 A @ Ta 23 °C
Degree of Protection	IP 40 / IP 67
Admissible Ambient Air Temp.	-40 °C to 85 °C
Climatic Category	40/085/21 acc. to IEC 60068-1
Material: Socket	Thermoset, black
Unit Weight	48 g
Storage Conditions	0 °C to 60 °C, max. 70% r.h.
Product Marking	Type, Rated Voltage, Rated current


Soldering Methods	Iron Soldering Profile
Contact Resistance	< mΩ at 20 mV
Plattendicke	max 4 mm

Dimension



Mounting holes

All Variants

Holder	Cap	Degree of Protection	  NNO	Reference	Order Number
●	Fingergrip	IP 40	● ● ●	23530P	7093.2510
●	Fingergrip	IP 67	●	23530JJP	7093.2540

 Most Popular.

Availability for all products can be searched real-time:<http://www.schurter.com/Stock-Check/Stock-Check-SCHURTER>

Packaging Unit Bulk (10 pcs.)
