



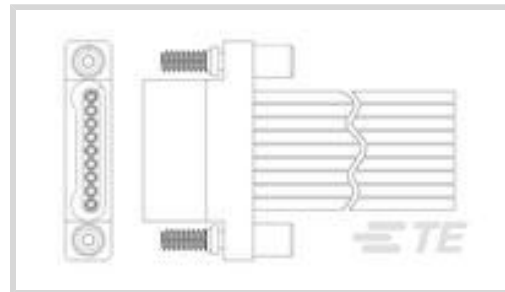
Nanonics

TE Internal #: 7-1589827-6

Microminiature & Nanominiature D Connectors, Plug, Wire-to-Board, 25 Position, .025 in [635 mm] Centerline, Wire & Cable, Cable Mount (Free-Hanging)

[View on TE.com >](#)

Connectors > D-Shaped Connectors > Microminiature & Nanominiature D Connectors > Connector Assembly, plug, 25pos



Connector & Housing Type: **Plug**

Connector System: **Wire-to-Board**

Number of Positions: **25**

Mounting Hardware: **Without**

Centerline (Pitch): **635 mm [.025 in]**

[All Connector Assembly, plug, 25pos \(1\)](#)

Features

Product Type Features

Product Type	Connector
Wire Type	Stranded
Connector & Housing Type	Plug
Connector System	Wire-to-Board
Connector & Contact Terminates To	Wire & Cable

Configuration Features

Preloaded	Yes
Number of Positions	25

Contact Features

Contact Current Rating (Max)	1 A
------------------------------	-----

Mechanical Attachment

Mounting Hardware	Without
Connector Mounting Type	Cable Mount (Free-Hanging)

Housing Features

Housing Material	Aluminum
Centerline (Pitch)	635 mm[.025 in]



Usage Conditions

Operating Temperature Range	-200 – 200 °C[-328 – 392 °F]
-----------------------------	------------------------------

Product Compliance

[For compliance documentation, visit the product page on TE.com>](#)

EU RoHS Directive 2011/65/EU	Compliant
EU ELV Directive 2000/53/EC	Compliant
China RoHS 2 Directive MIIT Order No 32, 2016	No Restricted Materials Above Threshold
EU REACH Regulation (EC) No. 1907/2006	Current ECHA Candidate List: JUNE 2022 (224) Candidate List Declared Against: JUL 2019 (201) SVHC > Threshold: Not Yet Reviewed
Halogen Content	Low Halogen - Br, Cl, F, I < 900 ppm per homogenous material. Also BFR/CFR/PVC Free
Solder Process Capability	Wave solder capable to 265°C

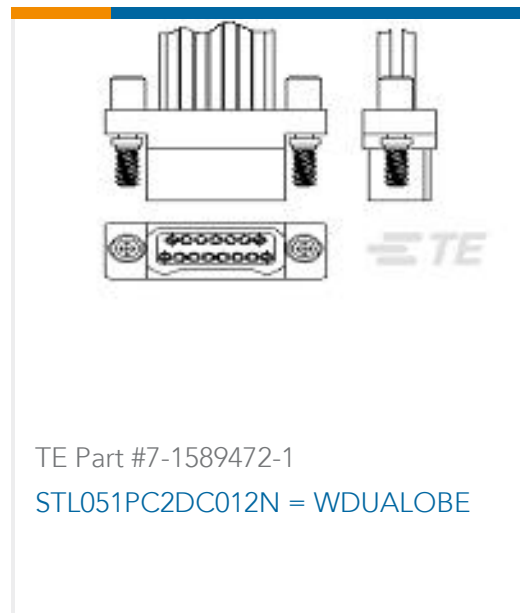
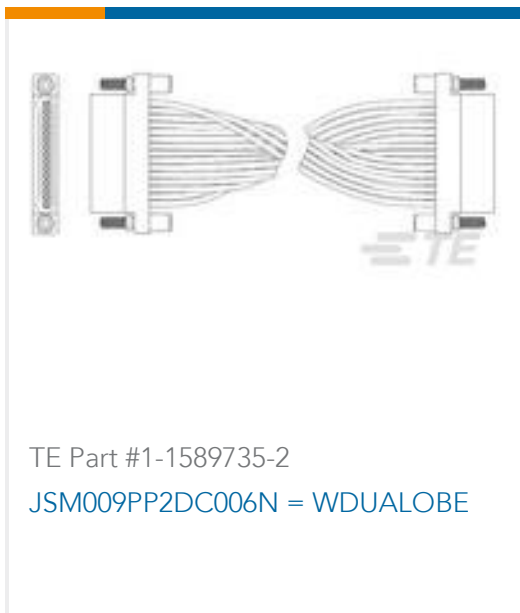
Product Compliance Disclaimer

This information is provided based on reasonable inquiry of our suppliers and represents our current actual knowledge based on the information they provided. This information is subject to change. The part numbers that TE has identified as EU RoHS compliant have a maximum concentration of 0.1% by weight in homogenous materials for lead, hexavalent chromium, mercury, PBB, PBDE, DBP, BBP, DEHP, DIBP, and 0.01% for cadmium, or qualify for an exemption to these limits as defined in the Annexes of Directive 2011/65/EU (RoHS2). Finished electrical and electronic equipment products will be CE marked as required by Directive 2011/65/EU. Components may not be CE marked. Additionally, the part numbers that TE has identified as EU ELV compliant have a maximum concentration of 0.1% by weight in homogenous materials for lead, hexavalent chromium, and mercury, and 0.01% for cadmium, or qualify for an exemption to these limits as defined in the Annexes of Directive 2000/53/EC (ELV). Regarding the REACH Regulation, the information TE provides on SVHC in articles for this part number is based on the latest European Chemicals Agency (ECHA) 'Guidance on requirements for substances in articles' posted at this URL: <https://echa.europa.eu/guidance-documents/guidance-on-reach>

Compatible Parts



Customers Also Bought



Documents

Product Drawings

[SSL025PC2DC012N = Wdualobe](#)

English

CAD Files

[3D PDF](#)

[3D](#)

[Customer View Model](#)

[ENG_CVM_CVM_7-1589827-6_A.2d_dxf.zip](#)

English

[Customer View Model](#)

[ENG_CVM_CVM_7-1589827-6_A.3d_igs.zip](#)

English

[Customer View Model](#)

[ENG_CVM_CVM_7-1589827-6_A.3d_stp.zip](#)

English

By downloading the CAD file I accept and agree to the [Terms and Conditions](#) of use.

Datasheets & Catalog Pages



[1589455 Nanonics Cross Reference](#)

English