

KNS501BA1/4 ✓ ACTIVE

Alcoswitch

TE Internal #: 7-1437622-6

Switch Knobs, Knob, Aluminum, Straight Knurl Knob Design, .25 in [6.35 mm] Shaft Size, 12.7 mm [.5 in] Diameter, Black/Natural, Arrowhead

[View on TE.com >](#)



Relays, Contactors & Switches > Switches > Switch Knobs



Switch Knob Product Type: **Knob**

Switch Knob Material: **Aluminum**

Knob Design: **Straight Knurl**

Shaft Size: **6.35 mm [.25 in]**

Switch Knob Diameter: **12.7 mm [.5 in]**

Features

Product Type Features

Switch Knob Product Type	Knob
--------------------------	------

Configuration Features

Skirt	With
Spinner	Without
Spin Plate	Without
Knob Design	Straight Knurl

Body Features

Switch Knob Material	Aluminum
Switch Knob Color	Black/Natural

Dimensions

Shaft Size	6.35 mm[.25 in]
Switch Knob Diameter	12.7 mm[.5 in]

Identification Marking

Indicator Style	Arrowhead
Indicator Location	On Skirt

Other

Comment	Body Black, Top Natural
---------	-------------------------



Product Compliance

[For compliance documentation, visit the product page on TE.com>](#)

EU RoHS Directive 2011/65/EU	Not Compliant
EU ELV Directive 2000/53/EC	Not Compliant
China RoHS 2 Directive MIIT Order No 32, 2016	Restricted Materials Above Threshold
EU REACH Regulation (EC) No. 1907/2006	Current ECHA Candidate List: JAN 2022 (223) Candidate List Declared Against: JAN 2022 (223) SVHC > Threshold: Pb (.6% in Component Part) Article Safe Usage Statements: Do not eat, drink or smoke when using this product. Wash thoroughly after handling. Recycle if possible and dispose of the article by following all applicable governmental regulations relevant to your geographic location.
Halogen Content	Low Halogen - Br, Cl, F, I < 900 ppm per homogenous material. Also BFR/CFR/PVC Free
Solder Process Capability	Not applicable for solder process capability

Product Compliance Disclaimer

This information is provided based on reasonable inquiry of our suppliers and represents our current actual knowledge based on the information they provided. This information is subject to change. The part numbers that TE has identified as EU RoHS compliant have a maximum concentration of 0.1% by weight in homogenous materials for lead, hexavalent chromium, mercury, PBB, PBDE, DBP, BBP, DEHP, DIBP, and 0.01% for cadmium, or qualify for an exemption to these limits as defined in the Annexes of Directive 2011/65/EU (RoHS2). Finished electrical and electronic equipment products will be CE marked as required by Directive 2011/65/EU. Components may not be CE marked. Additionally, the part numbers that TE has identified as EU ELV compliant have a maximum concentration of 0.1% by weight in homogenous materials for lead, hexavalent chromium, and mercury, and 0.01% for cadmium, or qualify for an exemption to these limits as defined in the Annexes of Directive 2000/53/EC (ELV). Regarding the REACH Regulation, the information TE provides on SVHC in articles for this part number is based on the latest European Chemicals Agency (ECHA) 'Guidance on requirements for substances in articles' posted at this URL: <https://echa.europa.eu/guidance-documents/guidance-on-reach>

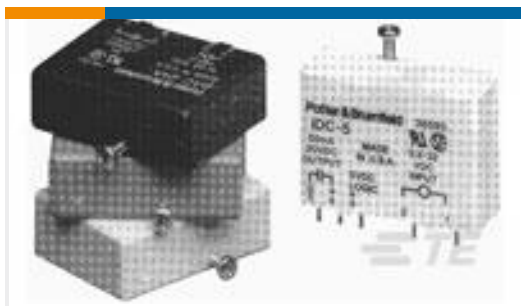
Compatible Parts

 <p>TE Part # 7-1437622-7 KNS501BA1/8=KNOB BLK/ALUM W /SK</p>	 <p>TE Part # 7-1437622-3 KNS501A1/8=KNOB ALUM W/SKIRT 1</p>	 <p>TE Part # 7-1437622-5 KNS501B1/8=KNOB BLACK W/SKIRT</p>
--	---	--

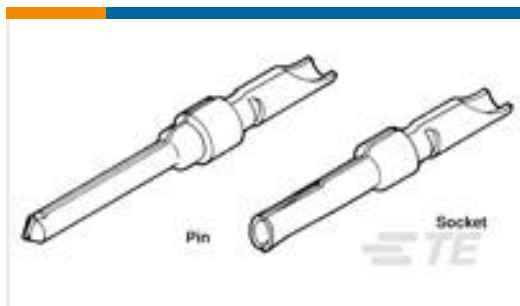
Customers Also Bought



TE Part #52411
TERMINAL,PIDG SPR SPD 22-16 10



TE Part #4-1393028-4
OUTPUT DC MODULE,3A, 60V DC -5V DC IP



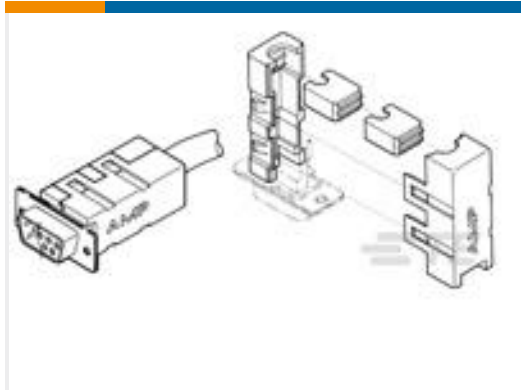
TE Part #66569-2
20DF SOCKET,PLATED



TE Part #330620
INSUL BUSHING BNC BLKHD PHEN



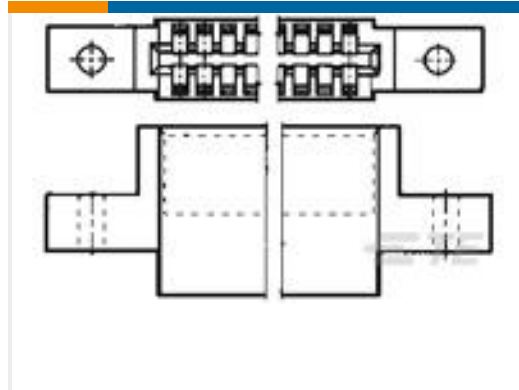
TE Part #T4110012021-000
M12 F, 2P GOLD A_CODE S SHIELDED PG9



TE Part #745547-1
HDE 20 KIT,CABLE CLAMP



TE Part #6609987-8
15SRB1-Z=F8219G



TE Part #583861-3
TW-LF CRP HSG 40 POS



TE Part #ZPF00000000204084
983-1YE 08-03 PN-A1386



TE Part #3-1532005-5
131-0138-0001=RCPT,BULKHEADGC

Documents

CAD Files

3D PDF

3D

Customer View Model

[ENG_CVM_CVM_7-1437622-6_99_c-7-1437622-6-99.2d_dxf.zip](#)

English

Customer View Model

[ENG_CVM_CVM_7-1437622-6_99_c-7-1437622-6-99.3d_igs.zip](#)

English

Customer View Model

[ENG_CVM_CVM_7-1437622-6_99_c-7-1437622-6-99.3d_stp.zip](#)

English

By downloading the CAD file I accept and agree to the [Terms and Conditions](#) of use.

Datasheets & Catalog Pages

Alcoswitch Products

English