

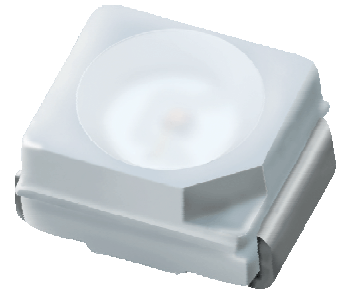
## Technical Data Sheet

### Top View LEDs

#### 67-21/R6C-FR2T1B/2T

#### Features

- P-LCC-2 package.
- White package.
- Optical indicator.
- Colorless clear window.
- Wide viewing angle.
- Suitable for vapor-phase reflow, Infrared reflow and wave solder processes.
- Computable with automatic placement equipment.
- Available on tape and reel (8mm Tape).
- Pb-free
- The product itself will remain within RoHS compliant version.



#### Descriptions

- The 67-21 series is available in soft orange, green, blue and yellow. Due to the package design, the LED has wide viewing angle and optimized light coupling by inter reflector. This feature makes the SMT TOP LED ideal for light pipe application. The low current requirement makes this device ideal for portable equipment or any other application where power is at a premium.

#### Applications

- Automotive: backlighting in dashboard and switch.
- Telecommunication: indicator and backlighting in telephone and fax.
- Flat backlight for LCD, switch and symbol.
- Light pipe application.
- General use.

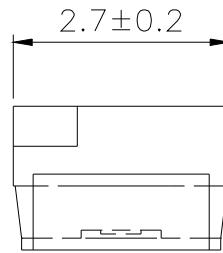
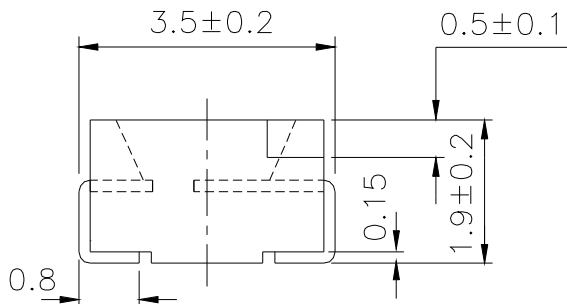
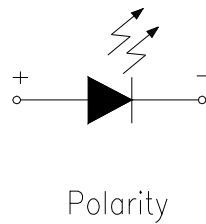
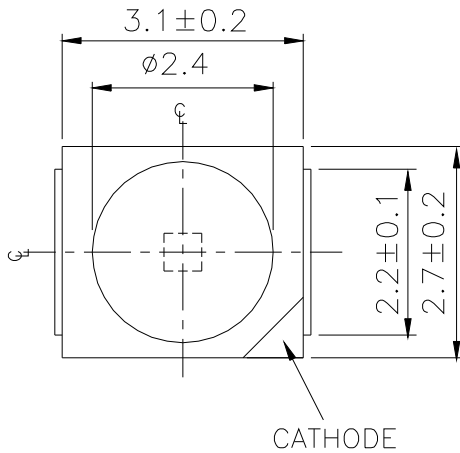
#### Device Selection Guide

| Chip     | Emitted Color | Resin Color |
|----------|---------------|-------------|
| Material |               |             |
| AlGaInP  | Brilliant Red | Water Clear |

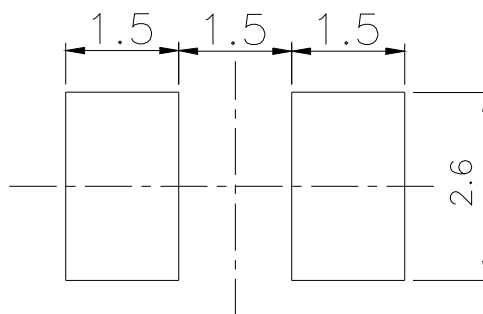
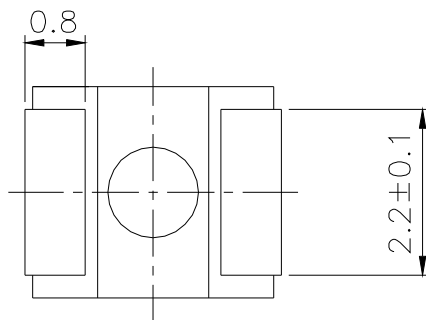
**Technical Data Sheet**  
**Top View LEDs**

**67-21/R6C-FR2T1B/2T**

**Package Dimensions**



For reflow soldering (Proposal)



**Note:** The tolerances unless mentioned is  $\pm 0.1$ mm; Unit = mm

**Technical Data Sheet**
**Top View LEDs**
**67-21/R6C-FR2T1B/2T**
**Absolute Maximum Ratings (Ta=25 )**

| Parameter                              | Symbol          | Rating   | Unit                      |
|--|-----------------|--|---------------------------|
| Reverse Voltage                        | V <sub>R</sub>  | 5  | V                         |
| Forward Current                        | I <sub>F</sub>  | 25   | mA                        |
| Peak Forward Current (Duty 1/10 @1KHz) | I <sub>FP</sub> | 100  | mA                        |
| Power Dissipation                      | P <sub>d</sub>  | 100  | mW                        |
| Electrostatic Discharge(HBM)           | ESD             | 2000   | V                         |
| Operating Temperature                  | Topr            | -40 ~ +85                                      |                           |
| Storage Temperature                    | Tstg            | -40 ~ +90                                      |                           |
| Soldering Temperature                  | Tsol            | Reflow Soldering : 260<br>Hand Soldering : 350 | for 10 sec.<br>for 3 sec. |

**Electro-Optical Characteristics (Ta=25 )**

| Parameter                    | Symbol         | Min.  | Typ.  | Max.  | Unit | Condition            |
|------------------------------|----------------|-------|-------|-------|------|----------------------|
| Luminous Intensity           | I <sub>v</sub> | 140   | ----- | 360   | mcd  | I <sub>F</sub> =20mA |
| Viewing Angle                | 2 1/2          | ----- | 120   | ----- | deg  | I <sub>F</sub> =20mA |
| Peak Wavelength              | p              | ----- | 632   | ----- | nm   | I <sub>F</sub> =20mA |
| Dominant Wavelength          | d              | 621   | ----- | 631   | nm   | I <sub>F</sub> =20mA |
| Spectrum Radiation Bandwidth |                | ----- | 20    | ----- | nm   | I <sub>F</sub> =20mA |
| Forward Voltage              | V <sub>F</sub> | 1.75  | ----- | 2.35  | V    | I <sub>F</sub> =20mA |
| Reverse Current              | I <sub>R</sub> | ----- | ----- | 10    | μ A  | V <sub>R</sub> =5V   |

**Notes:**

1. Tolerance of Luminous Intensity ±11%
2. Tolerance of Dominant Wavelength ±1nm
3. Tolerance of Forward Voltage ±0.1V

**Technical Data Sheet**

**Top View LEDs**

**67-21/R6C-FR2T1B/2T**

**Bin Rang of Luminous Intensity**

| Bin | Min | Max | Unit | Condition            |
|-----|-----|-----|------|----------------------|
| R2  | 140 | 180 | mcd  | I <sub>F</sub> =20mA |
| S1  | 180 | 225 |      |                      |
| S2  | 225 | 285 |      |                      |
| T1  | 285 | 360 |      |                      |

**Bin Range of Dominant Wavelength**

| Group | Bin Code | Min. | Max. | Unit | Condition            |
|-------|----------|------|------|------|----------------------|
| F     | FF1      | 621  | 626  | nm   | I <sub>F</sub> =20mA |
|       | FF2      | 626  | 631  |      |                      |

**Bin Rang of Forward Voltage**

| Group | Bin | Min  | Max  | Unit | Condition            |
|-------|-----|------|------|------|----------------------|
| B     | 0   | 1.75 | 1.95 | V    | I <sub>F</sub> =20mA |
|       | 1   | 1.95 | 2.15 |      |                      |
|       | 2   | 2.15 | 2.35 |      |                      |

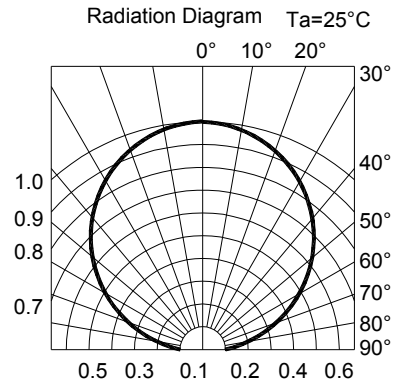
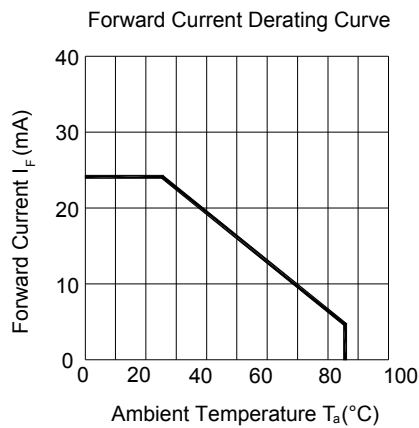
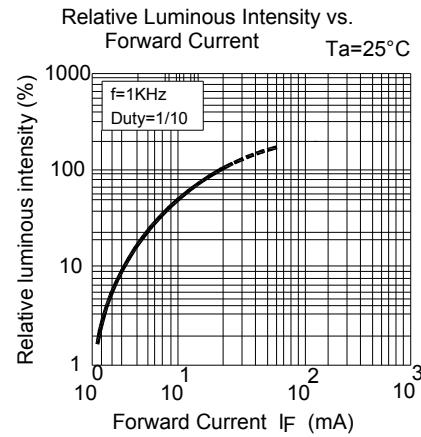
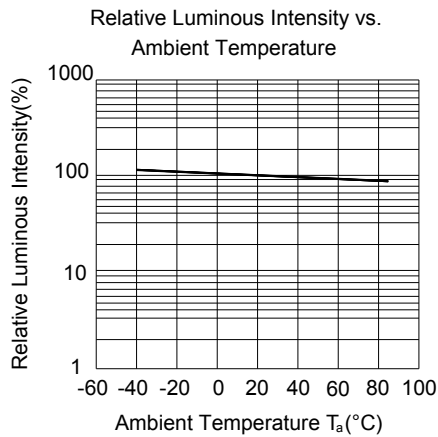
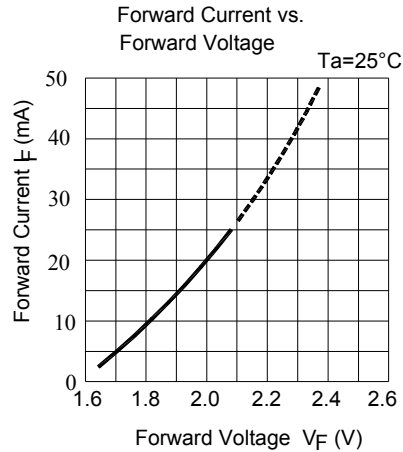
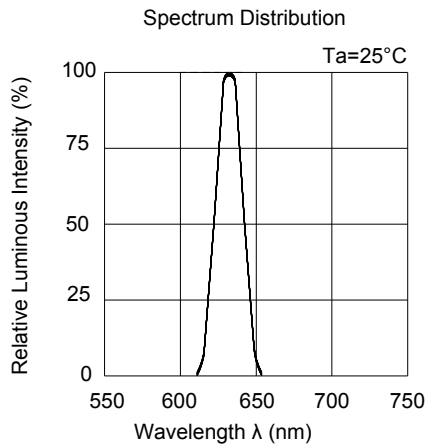
**Notes:**

1. Tolerance of Luminous Intensity  $\pm 11\%$
2. Tolerance of Dominant Wavelength  $\pm 1\text{nm}$
3. Tolerance of Forward Voltage  $\pm 0.1\text{V}$

**Technical Data Sheet**  
**Top View LEDs**

**67-21/R6C-FR2T1B/2T**

**Typical Electro-Optical Characteristics Curves**



**Technical Data Sheet**

**Top View LEDs**

**67-21/R6C-FR2T1B/2T**

**Label Explanation**

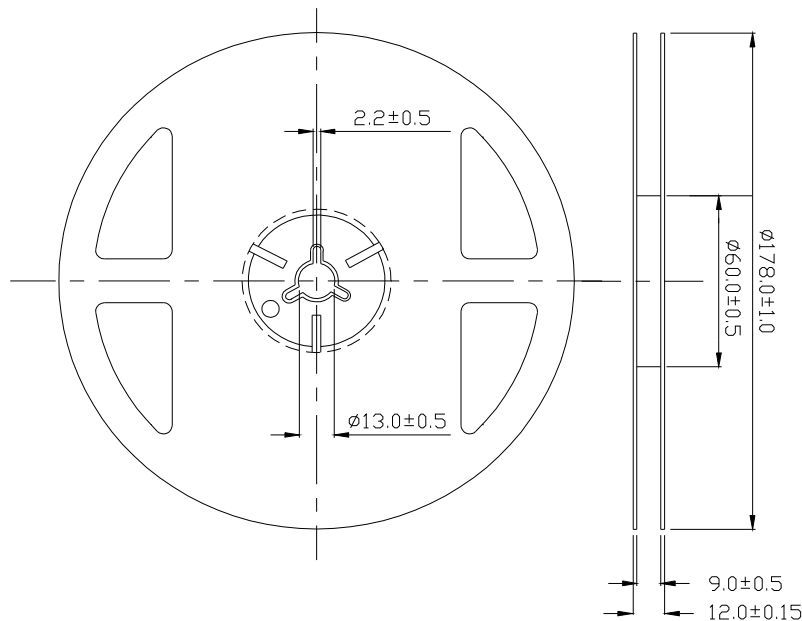
CAT: Luminous Intensity Rank

HUE: Dom. Wavelength Rank

REF: Forward Voltage Rank



**Reel Dimensions**



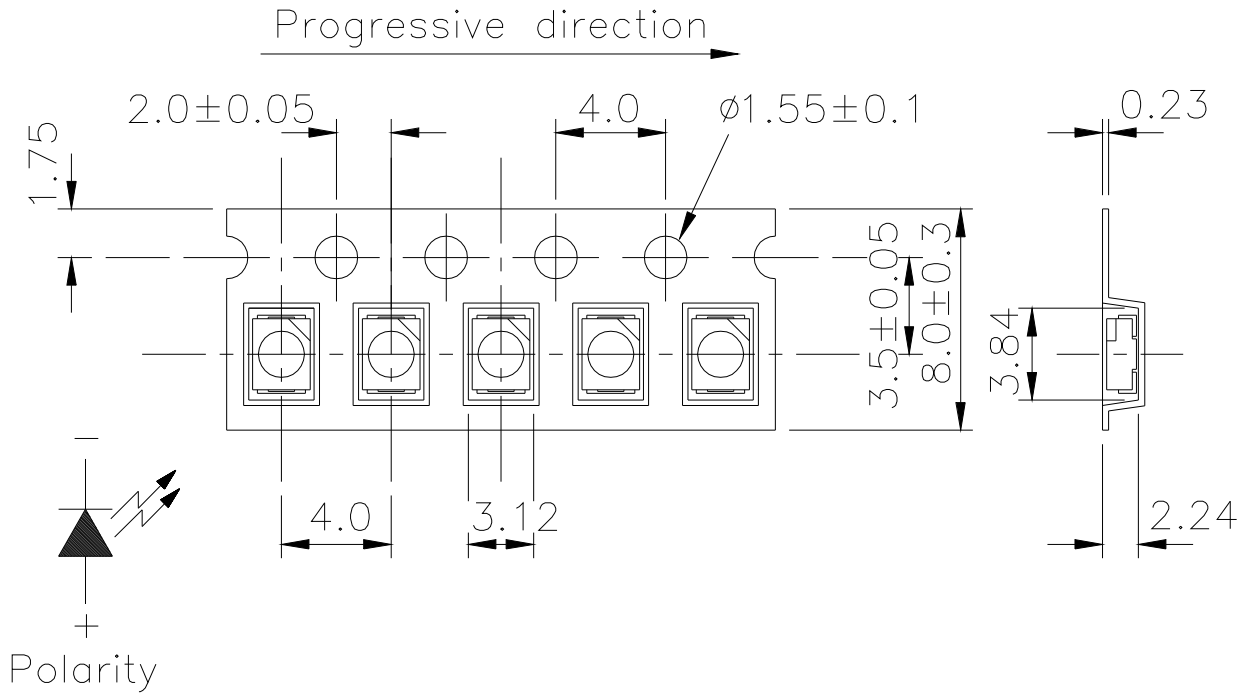
**Note:** The tolerances unless mentioned is  $\pm 0.1$ mm, Unit = mm

**Technical Data Sheet**

**Top View LEDs**

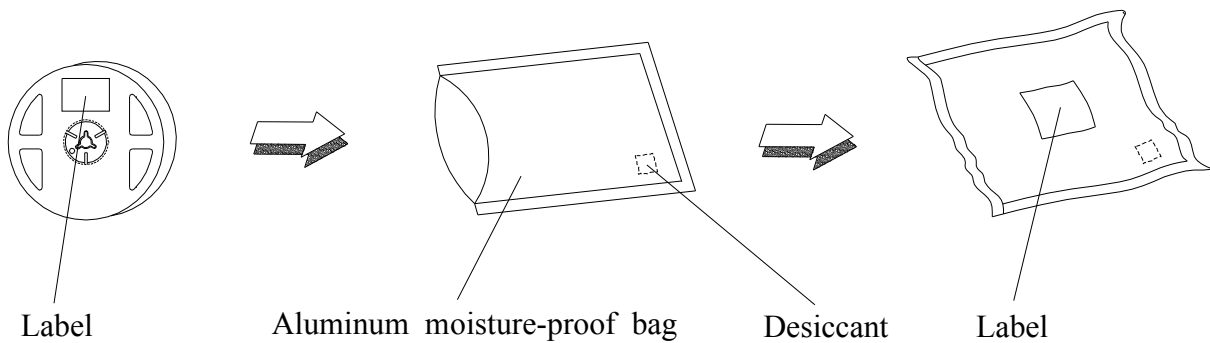
**67-21/R6C-FR2T1B/2T**

**Carrier Tape Dimensions: Loaded Quantity 2000 pcs Per Reel**



**Note:** The tolerances unless mentioned is ±0.1mm; Unit = mm

**Moisture Resistant Packaging**



**Technical Data Sheet**

**Top View LEDs**

**67-21/R6C-FR2T1B/2T**

**Reliability Test Items and Conditions**

The reliability of products shall be satisfied with items listed below.

Confidence level : 90%

LTPD : 10%

| No. | Items                            | Test Condition                             | Test Hours/Cycles | Sample Size | Ac/Re |
|-----|----------------------------------|--|-------------------|-------------|-------|
| 1   | Reflow Soldering                 | Temp. : 260 ±5<br>Min. 5sec.               | 6 min             | 22 PCS.     | 0/1   |
| 2   | Temperature Cycle                | H : +100 15min<br>∫ 5 min<br>L : -40 15min | 300 Cycles        | 22 PCS.     | 0/1   |
| 3   | Thermal Shock                    | H : +100 5min<br>∫ 10 sec<br>L : -10 5min  | 300 Cycles        | 22 PCS.     | 0/1   |
| 4   | High Temperature Storage         | Temp. : 100                                | 1000 Hrs.         | 22 PCS.     | 0/1   |
| 5   | Low Temperature Storage          | Temp. : -40                                | 1000 Hrs.         | 22 PCS.     | 0/1   |
| 6   | DC Operating Life                | I <sub>F</sub> = 20 mA                     | 1000 Hrs.         | 22 PCS.     | 0/1   |
| 7   | High Temperature / High Humidity | 85 / 85%RH                                 | 1000 Hrs.         | 22 PCS.     | 0/1   |



**Technical Data Sheet**

**Top View LEDs**

**67-21/R6C-FR2T1B/2T**

**Precautions for Use**

1. Over-current-proof

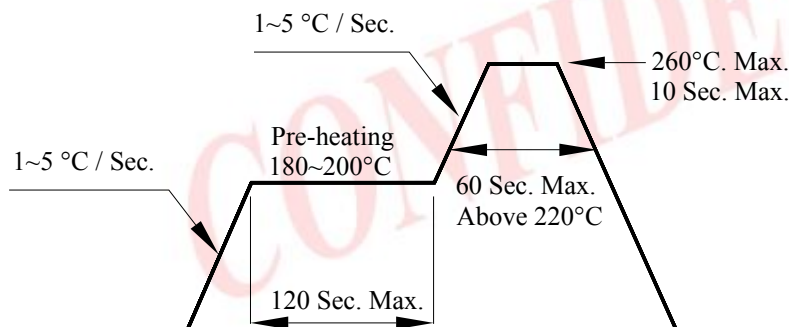
Customer must apply resistors for protection, otherwise slight voltage shift will cause big current change ( Burn out will happen ).

2. Storage

- 2.1 Do not open moisture proof bag before the products are ready to use.
- 2.2 Before opening the package: The LEDs should be kept at 30 or less and 90%RH or less.
- 2.3 After opening the package: The LED's floor life are 168 hours under 30 deg C or less and 60% RH or less. If unused LEDs remain, it should be stored in moisture proof packages.
- 2.4 If the moisture absorbent material (silica gel) has faded away or the LEDs have exceeded the storage time, baking treatment should be performed using the following conditions.  
Baking treatment : 60±5 for 24 hours.

3. Soldering Condition

3.1 Pb-free solder temperature profile



- 3.2 Reflow soldering should not be done more than two times.
- 3.3 When soldering, do not put stress on the LEDs during heating.
- 3.4 After soldering, do not warp the circuit board.

4. Soldering Iron

Each terminal is to go to the tip of soldering iron temperature less than 350 for 3 seconds within once in less than the soldering iron capacity 25W. Leave two seconds and more intervals, and do soldering of each terminal. Be careful because the damage of the product is often started at the time of the hand solder.

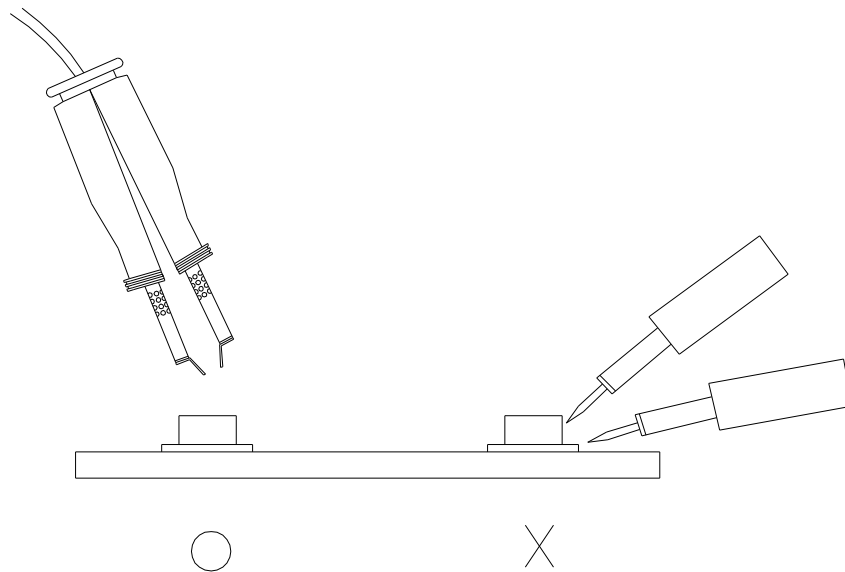
## Technical Data Sheet

### Top View LEDs

**67-21/R6C-FR2T1B/2T**

#### 5. Repairing

Repair should not be done after the LEDs have been soldered. When repairing is unavoidable, a double-head soldering iron should be used (as below figure). It should be confirmed beforehand whether the characteristics of the LEDs will or will not be damaged by repairing.



**EVERLIGHT ELECTRONICS CO., LTD.**  
Office: No 25, Lane 76, Sec 3, Chung Yang Rd,  
Tucheng, Taipei 236, Taiwan, R.O.C

Tel: 886-2-2267-2000, 2267-9936  
Fax: 886-2267-6244, 2267-6189, 2267-6306  
<http://www.everlight.com>