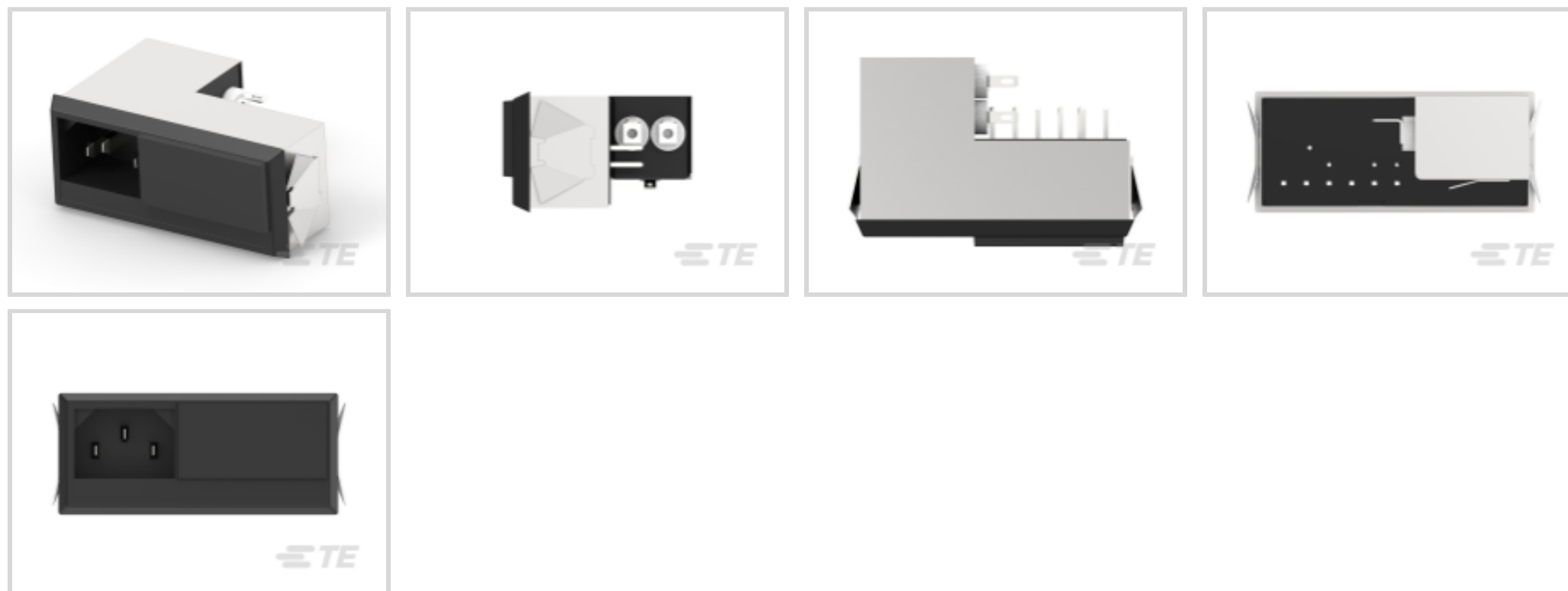


TE Internal #: 6609125-1

Multi-Function Inlet Filters, Power Entry Module, Dual AC (Series /Parallel) Input, No Switch, Filter Shield, Right Angle, 6 A, Snap-In, IEC Input

[View on TE.com >](#)


EMI Filters > Multi-Function Inlet Filters

Filter Type: **Power Entry Module**Input Voltage Selection: **Dual AC (Series/Parallel)**Filter Switch Type: **No Switch**Filter Shield Type: **Filter Shield**Mount Angle: **Right Angle**

Features

Product Type Features

Ground Choke Option	No
Ground Option	None
Filter Type	Power Entry Module
Filter Switch Type	No Switch
Filter Input Termination Type	IEC
Filter Output Termination Type	.045" Connector Block
Filtering Requirements	Unfiltered
Filter Connector Type	IEC 320/C-14

Configuration Features

Fuse Options	Fuse Holder
--------------	-------------

Electrical Characteristics

Input Voltage Selection	Dual AC (Series/Parallel)
Leakage Current (Max) (120VAC, 60Hz)	250 μ A
Leakage Current (Max) (250VAC, 50Hz)	500 μ A



Filter Current Rating	6 A
-----------------------	-----

Voltage Rating (Max)	250 VAC
----------------------	---------

Body Features

Filter Shield Type	Filter Shield
--------------------	---------------

Mechanical Attachment

Mount Angle	Right Angle
-------------	-------------

Filter Mount Style	Snap-In
--------------------	---------

Usage Conditions

Operating Temperature Range	-10 – 40 °C
-----------------------------	-------------

Product Compliance

For compliance documentation, visit the product page on [TE.com](https://www.te.com)>

EU RoHS Directive 2011/65/EU	Compliant
------------------------------	-----------

EU ELV Directive 2000/53/EC	Compliant
-----------------------------	-----------

China RoHS 2 Directive MIIT Order No 32, 2016	No Restricted Materials Above Threshold
---	---

EU REACH Regulation (EC) No. 1907/2006	Current ECHA Candidate List: JAN 2022 (223) Candidate List Declared Against: JUL 2021 (219) SVHC > Threshold: Not Yet Reviewed
--	---

Halogen Content	Low Halogen - Br, Cl, F, I < 900 ppm per homogenous material. Also BFR/CFR/PVC Free
-----------------	---

Solder Process Capability	Not applicable for solder process capability
---------------------------	--

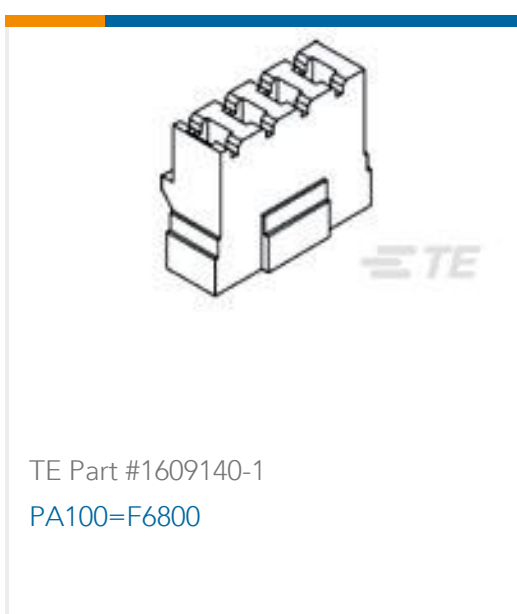
Product Compliance Disclaimer

This information is provided based on reasonable inquiry of our suppliers and represents our current actual knowledge based on the information they provided. This information is subject to change. The part numbers that TE has identified as EU RoHS compliant have a maximum concentration of 0.1% by weight in homogenous materials for lead, hexavalent chromium, mercury, PBB, PBDE, DBP, BBP, DEHP, DIBP, and 0.01% for cadmium, or qualify for an exemption to these limits as defined in the Annexes of Directive 2011/65/EU (RoHS2). Finished electrical and electronic equipment products will be CE marked as required by Directive 2011/65/EU. Components may not be CE marked. Additionally, the part numbers that TE has identified as EU ELV compliant have a maximum concentration of 0.1% by weight in homogenous materials for lead, hexavalent chromium, and mercury, and 0.01% for cadmium, or qualify for an exemption to these limits as defined in the Annexes of Directive 2000/53/EC (ELV). Regarding the REACH Regulation, the information TE provides on SVHC in articles for this part number is based on the latest European Chemicals Agency (ECHA) 'Guidance on requirements for substances in articles' posted at this URL: <https://echa.europa.eu/guidance-documents/guidance-on-reach>

Compatible Parts



Customers Also Bought



Documents

Product Drawings

6J4 M0=F7657

English

CAD Files

Customer View Model

ENG_CVM_6609125-1_5.3d_igs.zip

English

Customer View Model



[ENG_CVM_6609125-1_5.3d_stp.zip](#)

English

Customer View Model

[ENG_CVM_6609125-1_5.2d_dxf.zip](#)

English

3D PDF

3D

By downloading the CAD file I accept and agree to the [Terms and Conditions](#) of use.

Datasheets & Catalog Pages

[1654001_CORCOM_PRODUCT_GUIDE_J_SERIES](#)

English