

6609015-5 ✓ ACTIVE

Corcom | Corcom EF

TE Internal #: 6609015-5

Corcom EF, Multi-Function Inlet Filters, Power Line, Right Angle, 6 A, Flanged, IEC Input, .250" FASTON Output, 250 VAC, Filtered, IEC 60320-1 C-14

[View on TE.com >](#)



EMI Filters > Multi-Function Inlet Filters > CORCOM EF SERIES IEC FILTERED INLETS



Filter Type: **Power Line**

Mount Angle: **Right Angle**

Leakage Current (Max) (120VAC, 60Hz): **210  $\mu$ A**

Leakage Current (Max) (250VAC, 50Hz): **360  $\mu$ A**

Filter Current Rating: **6 A**

[All CORCOM EF SERIES IEC FILTERED INLETS \(15\)](#)

## Features

### Product Type Features

Ground Choke Option	No
Ground Option	None
Filter Type	Power Line
Filter Input Termination Type	IEC
Filter Output Termination Type	.250" FASTON
Filtering Requirements	Filtered
Filter Connector Type	IEC 60320-1 C-14

### Electrical Characteristics

Leakage Current (Max) (120VAC, 60Hz)	210 $\mu$ A
Leakage Current (Max) (250VAC, 50Hz)	360 $\mu$ A
Filter Current Rating	6 A
Voltage Rating (Max)	250 VAC

### Mechanical Attachment

Mount Angle	Right Angle
Filter Mount Style	Flanged

### Usage Conditions

Operating Temperature Range	-10 – 40 °C
-----------------------------	-------------



## Product Compliance

[For compliance documentation, visit the product page on TE.com>](#)

EU RoHS Directive 2011/65/EU	Compliant
EU ELV Directive 2000/53/EC	Compliant
China RoHS 2 Directive MIIT Order No 32, 2016	No Restricted Materials Above Threshold
EU REACH Regulation (EC) No. 1907/2006	Current ECHA Candidate List: JAN 2022 (223) Candidate List Declared Against: JUL 2021 (219) SVHC > Threshold: Not Yet Reviewed
Halogen Content	Low Halogen - Br, Cl, F, I < 900 ppm per homogenous material. Also BFR/CFR/PVC Free
Solder Process Capability	Not applicable for solder process capability

### Product Compliance Disclaimer

This information is provided based on reasonable inquiry of our suppliers and represents our current actual knowledge based on the information they provided. This information is subject to change. The part numbers that TE has identified as EU RoHS compliant have a maximum concentration of 0.1% by weight in homogenous materials for lead, hexavalent chromium, mercury, PBB, PBDE, DBP, BBP, DEHP, DIBP, and 0.01% for cadmium, or qualify for an exemption to these limits as defined in the Annexes of Directive 2011/65/EU (RoHS2). Finished electrical and electronic equipment products will be CE marked as required by Directive 2011/65/EU. Components may not be CE marked. Additionally, the part numbers that TE has identified as EU ELV compliant have a maximum concentration of 0.1% by weight in homogenous materials for lead, hexavalent chromium, and mercury, and 0.01% for cadmium, or qualify for an exemption to these limits as defined in the Annexes of Directive 2000/53/EC (ELV). Regarding the REACH Regulation, the information TE provides on SVHC in articles for this part number is based on the latest European Chemicals Agency (ECHA) 'Guidance on requirements for substances in articles' posted at this URL: <https://echa.europa.eu/guidance-documents/guidance-on-reach>

## Compatible Parts

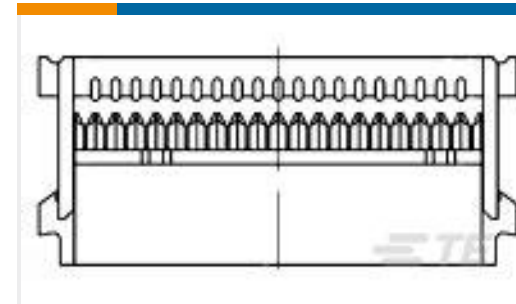
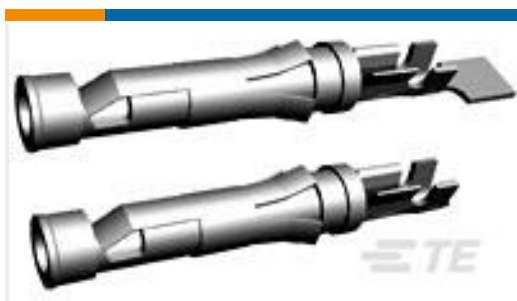
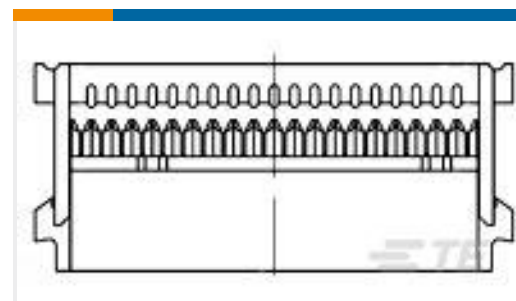
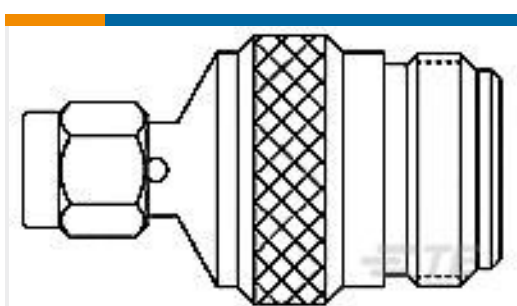


## Also in the Series | Corcom EF



Multi-Function Inlet Filters(15)

## Customers Also Bought

TE Part #51863-2  
TERMINAL PIDG R IR 22 6TE Part #5-6609929-0  
PE0S0DH60=C2264TE Part #1-1658622-2  
64 NOVO MIL/CTR 30DP, LEAD FREETE Part #2-1658526-4  
609-5041LF FEM SOCKET, LEAD FREETE Part #2-66105-0  
III+ SKT, 24-20, TIN, SMPACKTE Part #1-1393248-1  
W33-S1N1Q-5=W33TE Part #1-1658526-8  
609-3430LF FEM SOCKET, LEAD FREETE Part #2-1393771-9  
JWD-172-5=REED RELAYSTE Part #1058664-1  
3682 2241 00

## Documents

### Product Drawings

[6EF1F=F7325 S0](#)

English

### CAD Files

Customer View Model

[ENG\\_CVM\\_6609015-5\\_K.3d\\_igs.zip](#)

English

Customer View Model



[ENG\\_CVM\\_6609015-5\\_K.3d\\_stp.zip](#)

English

**Customer View Model**

[ENG\\_CVM\\_6609015-5\\_K.2d\\_dxf.zip](#)

English

**3D PDF**

English

By downloading the CAD file I accept and agree to the [Terms and Conditions](#) of use.

---

### Datasheets & Catalog Pages

[1654001\\_CORCOM\\_PRODUCT\\_GUIDE](#)

English

[1654001\\_CORCOM\\_PRODUCT\\_GUIDE\\_EF\\_SERIES](#)

English

[Corcom Combined Selector Charts](#)

English