

Signal tower / Pre-assembled Signal Tower
SignalSET Wireless USB



Part No.:	649.191.02
Series:	KombiSIGN 72

MECHANICAL DATA	
Materials	Aluminium PA-GF PC PMMA
Dome colour	Green Red
Housing colour	Black Silver White
Protection category	IP30
Connection	USB
Cable entry	Through hole
Cable entry maximum	d = 14 mm
Tension relief	Not present
Type of fixing	Special version
Service life optical	50,000 h maximum
Working temperature minimum	0°C
Working temperature maximum	+40°C
Weight with packaging	1750 g
Product weight	1300 g

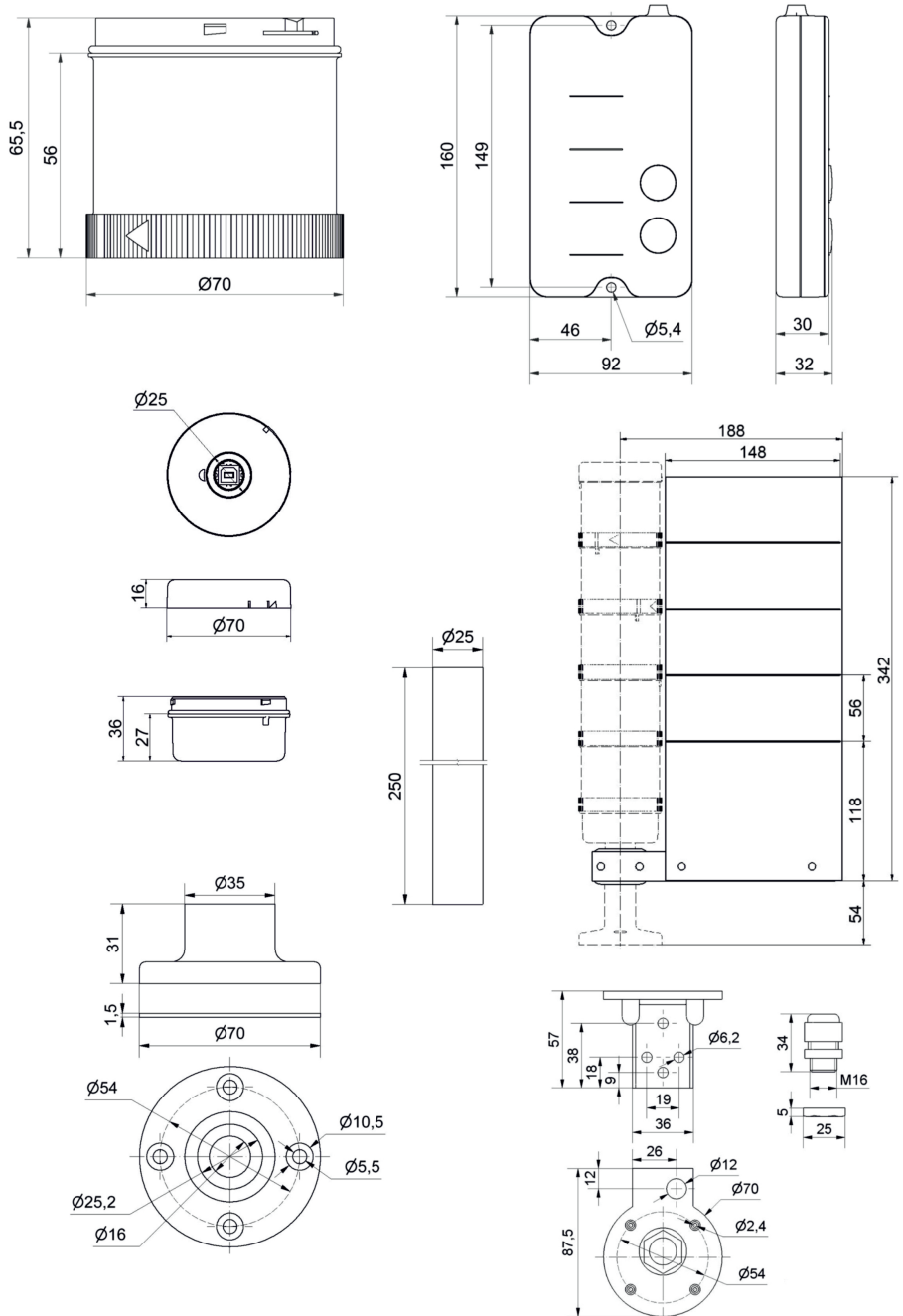
ELECTRICAL DATA	
Operating voltage	230V 5V (USB)
Operating voltage type	AC
Operating voltage frequency	50Hz
Operating voltage tolerance	+/- 10%
Rated operational current	1000 mA
Protection class	Protection class 2
Pollution degree	2
Isolation voltage	Ui = 250V; Uimp = 2.500V

OPTICAL DATA	
Light source	LED
Light colour	Green Red
Optical signal image	TwinLight

! For additional installation and mounting information, refer to the appropriate user guide at www.werma.com. This printed copy is for information only and is subject to alteration.

Signal tower / Pre-assembled Signal Tower
SignalSET Wireless USB

DRAWING



! For additional installation and mounting information, refer to the appropriate user guide at www.werma.com. This printed copy is for information only and is subject to alteration.