

KombiSIGN 71 / Terminal Element
Terminal element M12 5-Pole BK



Part No.:	640.870.00
Series:	KombiSIGN 71



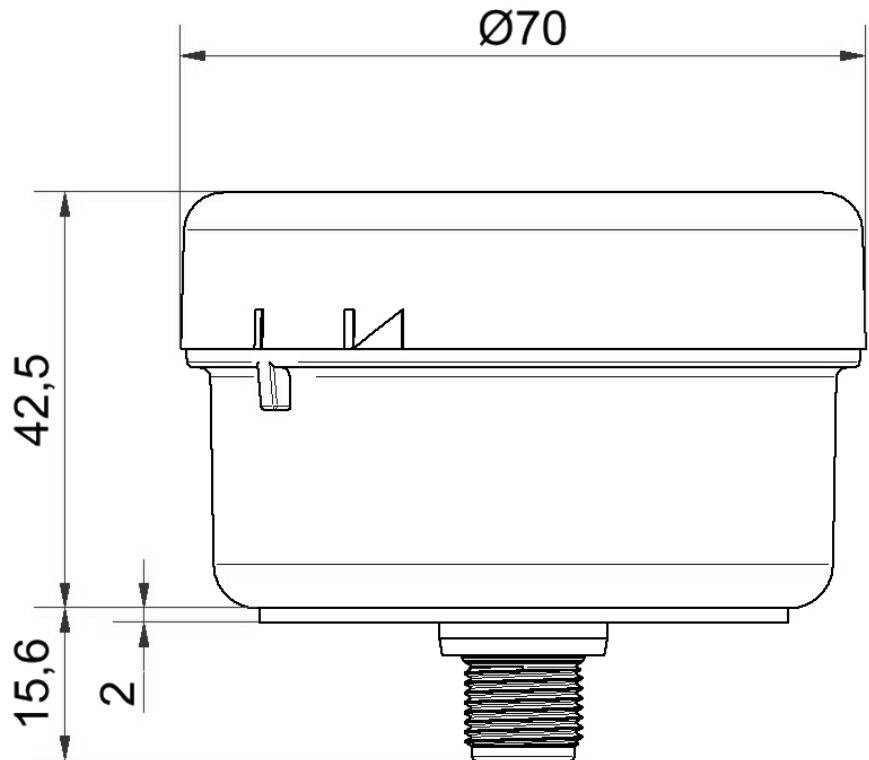
MECHANICAL DATA	
Height	59 mm
Diameter	70 mm
Materials	PA-GF PC
Housing colour	Black
Protection category	IP65
Connection	M12 plug 5-pole
Type of fixing	Base mounting Tube mounting
Working temperature minimum	-30°C
Working temperature maximum	+60°C
UL Type Rating	Type 12
Weight with packaging	100 g
Product weight	79 g

ELECTRICAL DATA	
Operating voltage	10-31,6V
Operating voltage type	DC
Operating voltage tolerance	+/- 0%
Protection class	Protection class 3
Pollution degree	3
Current carrying capacity	2A

! For additional installation and mounting information, refer to the appropriate user guide at www.werma.com. This printed copy is for information only and is subject to alteration.

KombiSIGN 71 / Terminal Element
Terminal element M12 5-Pole BK

DRAWING



TERMINAL ASSIGNMENT

640 870 00		Pin-Belegung/Pin-assignment		
<p>5-pin A-coded</p>	M12 Pin	Stufe / Tier	IO-Link	AS
	1	1	L+	AS-i +
	2	3	2 L+ (+24V optional)	Uext -
	3	COM	L-	AS-i -
	4	4	C/Q	Uext +
	5	2	---	---

! For additional installation and mounting information, refer to the appropriate user guide at www.werma.com. This printed copy is for information only and is subject to alteration.