

Display Elektronik GmbH

DATA SHEET

TFT- MODULE

**DEM 640480D TMH-PW-N
(A-TOUCH)**

5,7" TFT + TP

Product Specification

Ver.: 5

10.06.2015

Revisions:

| Rev. | Date | Contents | Written | Approved |
|------|------------|--|---------|----------|
| 0 | 28.04.2010 | Preliminary Specification | KC | MH |
| 1 | 01.06.2010 | Correction page10: 3.3.2clock and Data Waveform | KC | MH |
| 2 | 15.12.2010 | Add RoHS Compliance | KC | MH |
| 3 | 21.01.2011 | Add IIS. Corrected 5.1 Note1. Update AC Timing Characteristic. | KC | MH |
| 4 | 19.12.2011 | Update AC Timing Characteristic. | KC | MH |
| 5 | 10.06.2015 | Update LED Lifetime to 50000h | OL | MH |
| | | | | |
| | | | | |
| | | | | |
| | | | | |
| | | | | |

Special Notes

| | |
|--------|--|
| Note1. | |
| Note2. | |
| Note3. | |
| Note4. | |
| Note5. | |
| | |
| | |
| | |
| | |
| | |
| | |
| | |
| | |
| | |
| | |
| | |
| | |
| | |

Contents

1 General Description and Features 4
1.1 Features..... 4
1.2 LCD Module 4
2 Mechanical Information..... 5
3 Electrical Specifications 6
3.1 Absolute Max. Ratings 6
3.2 Electrical Characteristics 7
3.3 AC Timing Characteristic of The LCD 8
3.4 Back-Light Unit..... 11
4 Optical Characteristics 12
4.1 Optical characteristic of the LCD..... 12
5 Input Terminal Pin Assignment..... 14
5.1 Pin Assignment 14
5.2 Back-light Unit (BLU)..... 14
5.3 Block Diagram..... 15
5.4 Basic Display Color and Gray Scale 16
6 Touch Screen Panel 17
6.1 Electrical Characteristics 17
6.2 Mechanical & Reliability Characteristics..... 17
7 Reliability Condition..... 18
8 Dimensional Outlines..... 19
9 Incoming Inspection Standards..... 20

1 General Description and Features

DEM 640480D TMH-PW-N(A-TOUCH) is a transmissive type color active matrix TFT (Thin Film Transistor) liquid crystal display (LCD) that uses amorphous silicon TFT as a switching device. This model is composed of a TFT-LCD module, a driver circuit and a back-light unit and touch screen panel (TSP). Graphics and texts can be displayed on a VGA 640 (W) x 3 x 480 (H) dots with 262,144 colors by supplying 18 bits data signal (6bits/each color). The following table described the features of DEM 640480D TMH-PW-N(A-TOUCH).

1.1 Features

- ◆ Transmissive and Backlight with 30 LEDs are available
- ◆ TN (Twisted Nematic) Mode.
- ◆ LVDS (6-Bits/Color) Data Transfer
- ◆ Clock Signal: latching data at the falling edge.
- ◆ RoHS Compliance

1.2 LCD Module

| Item | Specification | Unit |
|--------------------|--|----------|
| Screen Size | 5.7 Inches | Diagonal |
| Display Resolution | 640 x RGB x 480 | Pixel |
| Active Area | 115.20 x 86.40 | mm |
| Outline Dimension | 144.00 x 104.60 x 14.50 | mm |
| Display Mode | Normally White Mode / Transmissive / Wide view | -- |
| Pixel Arrangement | R,G,B Vertical Tripe | -- |
| Pixel size | 0.1815 x 0.1815 | mm |
| Display Color | 262k Colors | -- |
| Viewing Direction | 6 o'clock (Gray Inversion) | -- |
| Input Interface | LVDS (6-Bits/Color) Data Transfer | -- |

2 Mechanical Information

| Item | | Min. | Typ. | Max. | Unit | Note |
|-------------|----------------|------|--------|------|------|------|
| Module Size | Horizontal (H) | -- | 144.00 | -- | mm | (1) |
| | Vertical (V) | -- | 104.60 | -- | mm | (1) |
| | Thickness (T) | -- | 14.50 | -- | mm | (1) |
| Weight | | -- | 192 | -- | g | -- |

Note (1) Excluding backlight cables. . Refer to the Outline Dimension Drawing as attached.

3 Electrical Specifications

3.1 Absolute Max. Ratings

3.1.1 Absolute Ratings of Environment

If the operating condition exceeds the following absolute maximum ratings, the TFT LCD module may be damaged permanently.

(Ta=25±2°C, VSS=GND=0)

| Item | Symbol | Min. | Max. | Unit | Note |
|-----------------------|------------------|------|------|------|---------|
| Storage Temperature | T _{STG} | -30 | 80 | °C | (1) |
| Operating Temperature | T _{OPR} | -20 | 70 | °C | (1,2,3) |

Note (1) 95 % RH Max. (40°C ≥ Ta). Maximum wet-bulb temperature at 39 °C or less.
(Ta > 40°C) No condensation.

Note (2) In case of below 0°C, the response time of liquid crystal (LC) becomes slower and the color of panel becomes darker than normal one. Level of retardation depends on temperature, because of LC's character

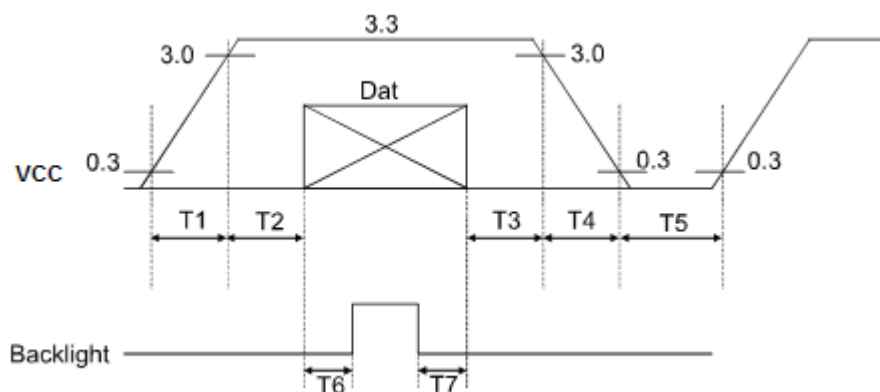
Note (3) Only operation is guarantied at operating temperature. Contrast, response time, another display quality are evaluated at +25°C.

3.1.2 Electrical Absolute Maximum Ratings

(VSS=GND=0)

| Parameter | Symbol | Min. | Max. | Unit | Remark |
|---------------------------------|-------------------------------|------|----------------------|-------|-------------------------|
| Power Supply Voltage | V _{CC} | -0.3 | 5.0 | V | |
| Signal Input Voltage | R0-R5,G0-G5, B0-B5,DCLK,DE | -0.3 | V _{CC} +0.3 | V | -- |
| Permissive Input Ripple Voltage | V _{RF} | -- | 100 | mVp-p | V _{CC} = +3.3V |

Display On/Off Sequence:



Data: DCLK, R0 ~ R5, G0 ~ G5, B0 ~ B5, DE

T1≤10ms, 50ms≤T2, 0<T3≤50ms, 0<T4≤10ms, 1s≤T5, 200ms≤T6, 200ms≤T7

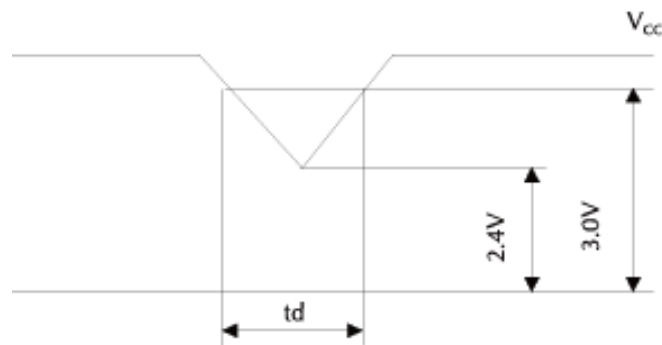
3.2 Electrical Characteristics

3.2.1 DC Electrical Characteristics of the TFT LCD

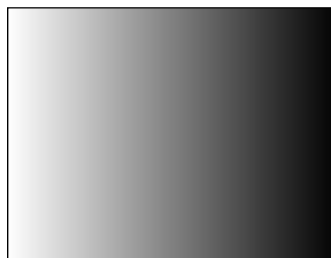
(Ta=25±2°C, Vss=GND=0)

| Item | Symbol | Min. | Typ. | Max. | Unit | Remark |
|-------------------------|---------|--------|-------|--------|------|--------|
| Power Supply | VCC | 3.0 | 3.3 | 3.6 | V | Note 1 |
| Input Voltage for Logic | H Level | 0.7VCC | - | VCC | V | |
| | L Level | 0 | - | 0.3VCC | V | |
| Power Supply Current | ICC | | (120) | (160) | mA | Note 2 |

Note1: Vcc-dip conditions
 Vcc-dip conditions should also follow the Vcc-turn-on conditions
 Td ≤ 10ms



Note2: fv =60Hz, Ta=25°C, Display pattern: 64 Gray pattern



3.3 AC Timing Characteristic of The LCD

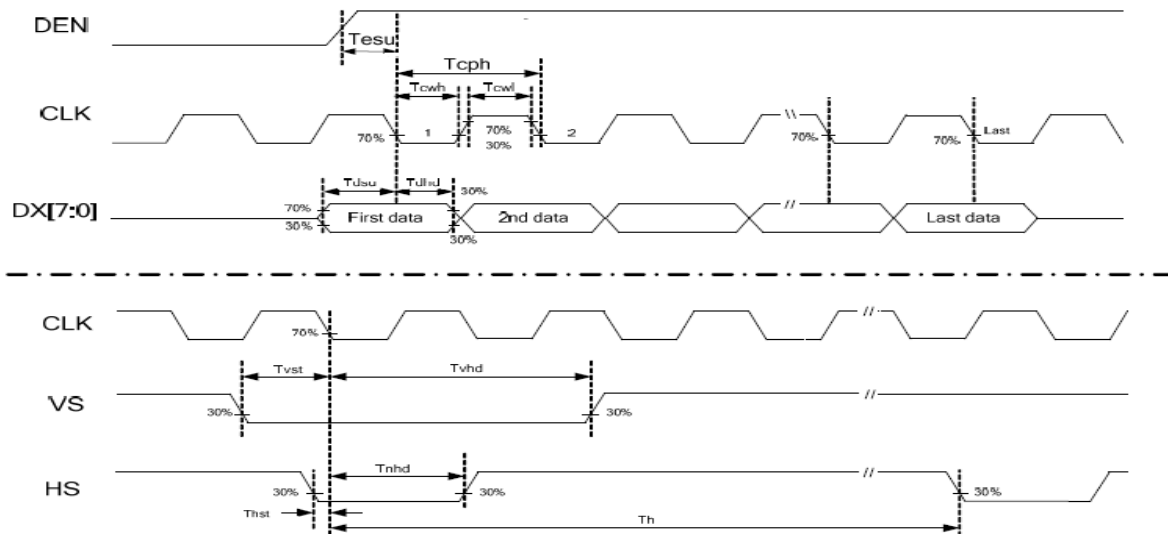
3.3.1 Timing Condition

| Parameter | Symbol | Min. | Typ. | Max. | Unit. | Remark |
|-------------------------------|------------------|-------|--------|-------|------------------|--------|
| CLK frequency | F _{CPH} | 22.66 | 25.175 | 27.69 | MHZ | |
| CLK period | T _{CPH} | 36.11 | 39.7 | 44.13 | ns | |
| CLK pulse duty | T _{CWH} | 40 | 50 | 60 | % | |
| HS period | T _H | 750 | 800 | 850 | T _{CPH} | |
| HS pulse width | T _{WH} | 5 | 30 | -- | T _{CPH} | |
| HS-first horizontal data time | T _{HS} | 112 | 144 | 175 | T _{CPH} | |
| Display period | T _{HA} | -- | 640 | -- | T _{CPH} | |
| HS setup time | T _{HST} | 10 | -- | -- | ns | |
| HS hold time | T _{HHD} | 10 | -- | -- | ns | |
| VS pulse width | T _{WV} | 1 | 3 | 5 | T _H | |
| First line data input time | T _{STV} | -- | 35 | -- | T _H | |
| VS period | T _V | 515 | 525 | 535 | T _H | |
| VS setup time | T _{VST} | 10 | -- | -- | ns | |
| VS hold time | T _{VHD} | 10 | -- | -- | ns | |

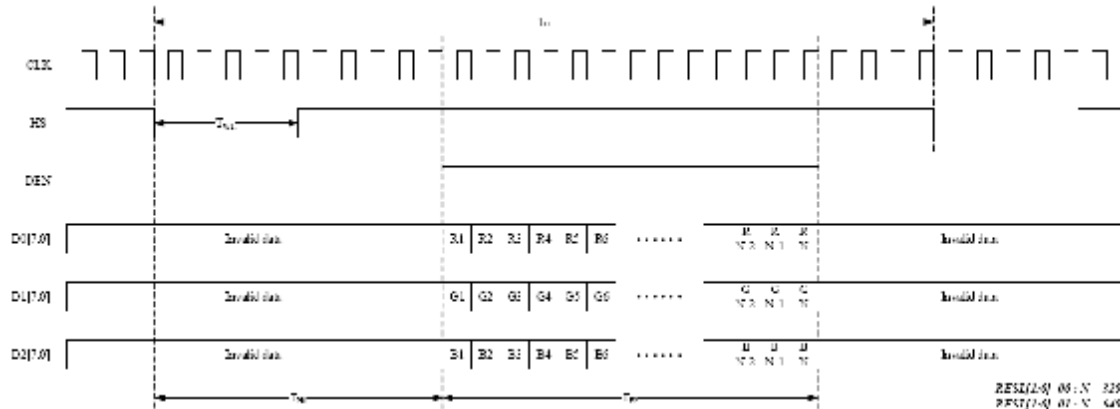
Note : When SYNC mode is used, 1st data start from 144th CLK after HS falling (when STHD[5:0]=00000)

| Parameter | Symbol | Min. | Typ. | Max. | Unit. | Remark |
|-------------------------|------------------|------|------|------|------------------|--------|
| DEN Period | T _{DEN} | -- | 800 | -- | T _{CPH} | |
| DEN pulse width | T _{EP} | -- | 640 | -- | T _{CPH} | |
| DEN frame active time | T _{DEA} | -- | 480 | -- | T _{DEN} | |
| DEN frame blanking time | T _{DEB} | -- | 45 | -- | T _{DEN} | |
| DEN setup time | T _{ESU} | 10 | -- | -- | ns | |

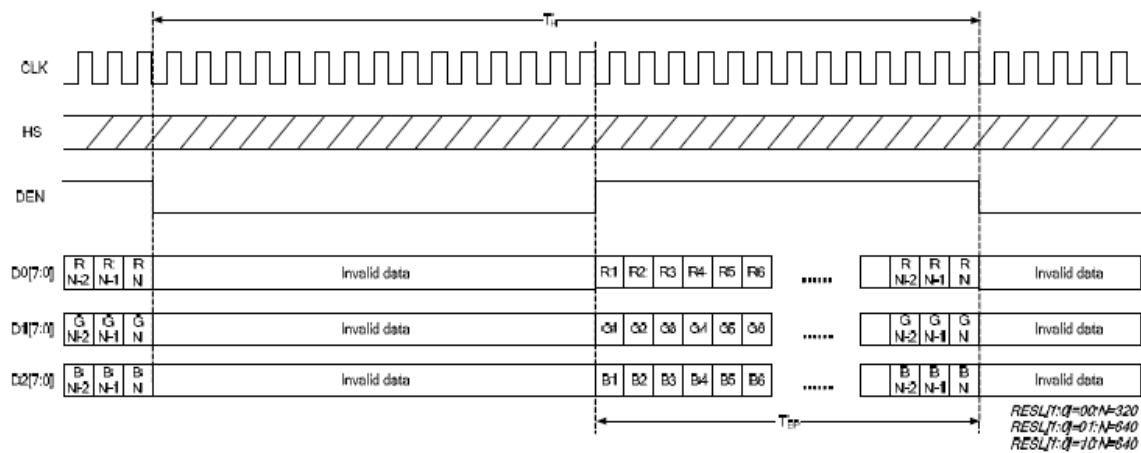
3.3.2 Clock and Data input waveforms



3.3.3 Parallel RGB SYNC Mode Horizontal Data Format

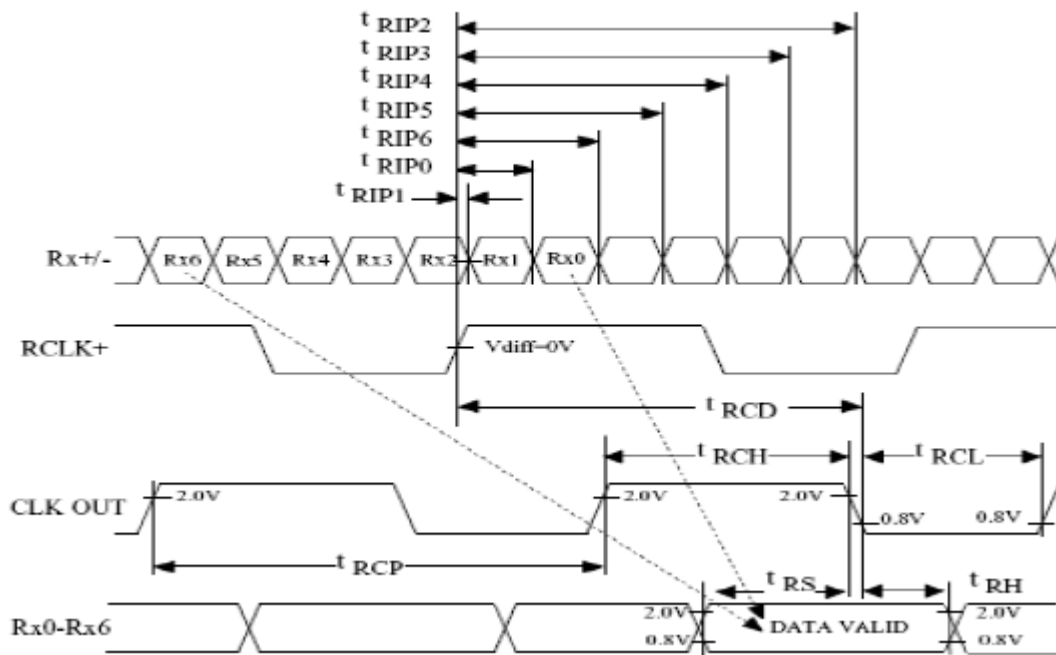


3.3.4 Parallel RGB DEN Mode Horizontal Data Format.



3.3.5 LVDS Timing Condition

| | | | | | |
|------------|-----------------------------------|----------|------|----------|----|
| t_{RCP} | CLK OUT Period | 11.76 | T | 50.0 | ns |
| t_{RCH} | CLK OUT High Time | | 4T/7 | | ns |
| t_{RCL} | CLK OUT Low Time | | 3T/7 | | ns |
| t_{RCD} | RCLK+/- to CLK OUT Delay | | 5T/7 | | ns |
| t_{RS} | TTL Data Setup to CLK OUT | 3T/7-2.5 | | | ns |
| t_{RH} | TTL Data Hold from CLK OUT | 4T/7-3.5 | | | ns |
| t_{TLH} | TTL Low to High Transition Time | | 3.0 | 5.0 | ns |
| t_{THL} | TTL High to Low Transition Time | | 3.0 | 5.0 | ns |
| t_{RIP1} | Input Data Position 0 (T=11.76ns) | -0.4 | 0.0 | 0.4 | ns |
| t_{RIP0} | Input Data Position 1 (T=11.76ns) | T/7-0.4 | T/7 | T/7+0.4 | ns |
| t_{RIP6} | Input Data Position 2 (T=11.76ns) | 2T/7-0.4 | 2T/7 | 2T/7+0.4 | ns |
| t_{RIP5} | Input Data Position 3 (T=11.76ns) | 3T/7-0.4 | 3T/7 | 3T/7+0.4 | ns |
| t_{RIP4} | Input Data Position 4 (T=11.76ns) | 4T/7-0.4 | 4T/7 | 4T/7+0.4 | ns |
| t_{RIP3} | Input Data Position 5 (T=11.76ns) | 5T/7-0.4 | 5T/7 | 5T/7+0.4 | ns |
| t_{RIP2} | Input Data Position 6 (T=11.76ns) | 6T/7-0.4 | 6T/7 | 6T/7+0.4 | ns |
| t_{RPLL} | Phase Lock Loop Set | | | 10.0 | ms |



3.3.6 LVDS Data Mapping

| | | | | | | | | | | | | | | | | | | | | | |
|------|-----|-----|-----|-----|-----|-----|-----|-----|-----|-----|-----|-----|-----|-----|-----|-----|-----|-----|-----|-----|-----|
| | TA0 | TA1 | TA2 | TA3 | TA4 | TA5 | TA6 | TB0 | TB1 | TB2 | TB3 | TB4 | TB5 | TB6 | TC0 | TC1 | TC2 | TC3 | TC4 | TC5 | TC6 |
| 6BIT | R0 | R1 | R2 | R3 | R4 | R5 | G0 | G1 | G2 | G3 | G4 | G5 | B0 | B1 | B2 | B3 | B4 | B5 | HS | VS | DE |

3.4 Backlight Unit

The Backlight system is an edge-lighting type with 30 white LEDs (Light Emitting Diode).
The characteristics of 30 white LEDs are shown in the following tables.

(Ta= Room Temp)

| Characteristics | | Symbol | Min. | Typ. | Max. | Unit | Note |
|---------------------------|------|----------|---------|--------|--------|------|------|
| Current of Backlight Unit | | I_B | - | 200 | 250 | mA | (1) |
| Voltage of Backlight Unit | | V_B | - | (9.6) | (10.5) | V | |
| Power Consumption | | P_{BL} | - | (1920) | (2625) | mW | (2) |
| LED Lifetime | 25°C | - | (50000) | | | hr | (3) |

Note (1) LEDS in 3 series x 10 parallel type.

(2) Where $I_B = 200\text{mA}$, $V_B = 9.6$, $P_{BL} = V_B \times I_B$

(3) The environmental conducted under ambient air flow, at $T_a=25\pm 2^\circ\text{C}$, $60\%\text{RH}\pm 5\%$

4 Optical Characteristics

4.1 Optical characteristic of the LCD

The following items are measured under stable conditions. The optical characteristics should be measured in a dark room or equivalent state.

Measuring equipment: BM-5A, BM-7

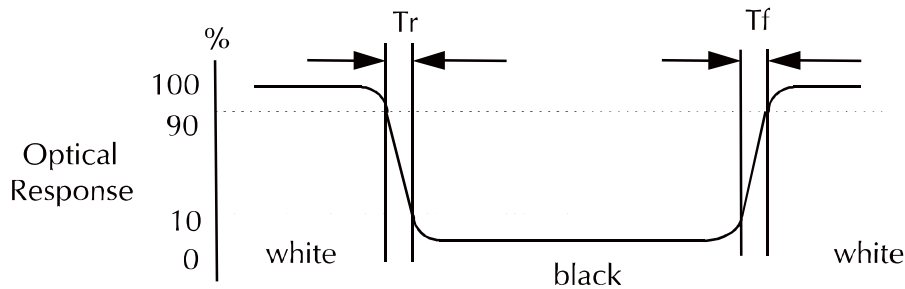
| Item | Symbol | Condition | Min | Typ | Max | Unit | Note |
|--------------------------------------|----------------|----------------------------|---------------------------|-------|-------|-------------------|--------|
| Brightness | | | 560 | (700) | -- | cd/m ² | |
| Response Time | T _r | θ=0° | - | 15 | 20 | ms | . |
| | T _f | | -- | 25 | 35 | ms | |
| Contrast Ratio | CR | At optimized viewing angle | 400 | (500) | -- | -- | |
| Color Gamut | NTSC % | -- | -- | 50 | -- | % | |
| Color Chromaticity (CIE 1931) | Red | R _x | θ=0° Normal Viewing Angle | 0.565 | 0.615 | 0.665 | -- |
| | | R _y | | 0.294 | 0.344 | 0.394 | |
| | Green | G _x | | 0.257 | 0.307 | 0.357 | -- |
| | | G _y | | 0.512 | 0.562 | 0.612 | |
| | Blue | B _x | | 0.090 | 0.140 | 0.190 | -- |
| | | B _y | | 0.080 | 0.130 | 0.180 | |
| | White | W _x | | 0.259 | 0.309 | 0.359 | -- |
| | | W _y | | 0.300 | 0.350 | 0.400 | |
| Viewing Angle (6H) Gray inversion | Hor. | θ _R | CR≥10 | 55 | 65 | -- | Degree |
| | | θ _L | | 55 | 65 | -- | |
| | Ver. | φ _H | | 40 | 50 | -- | |
| | | φ _L | | 55 | 65 | -- | |

a. Test equipment setup

After stabilizing and leaving the panel alone shall be warmed up for the stable operation of LCM, the measurement should be executed. Measurement should be executed in a stable, windless, and dark room. Optical specifications are measured by Topcon BM-7(fast) with a viewing angle of 2° at a distance of 50cm and normal direction.

b. Definition of response time: Tr and Tf

The response time is defined as the following figure and shall be measured by switching the input signal for "black" and "white".

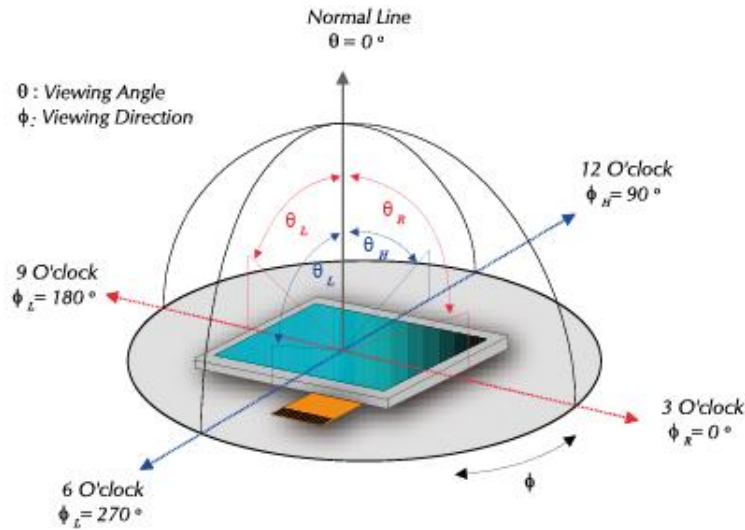


c. Definition of contrast ratio:

$$\text{Contrast Ratio (CR)} = \frac{\text{Brightness measured when LCD is at "white state"}}{\text{Brightness measured when LCD is at "black state"}}$$

d. Measured at the center area of the panel when all the input terminals of LCD panel are electrically opened.

e. View Angle



f. Definition of Luminance of White: Luminance of white at the center points

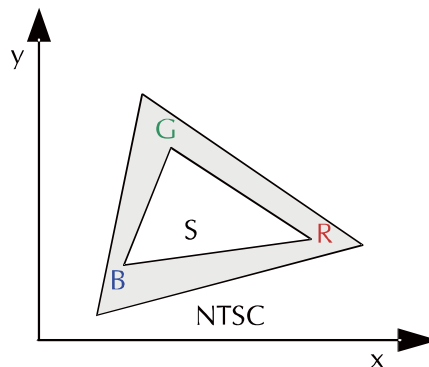
| | |
|---------------------------------|----------|
| Light Source of Back-Light Unit | LED Type |
|---------------------------------|----------|

g. Definition of White Uniformity

$$\text{White Uniformity} = \frac{\text{Min. luminance of white among 9-points}}{\text{Max. luminance of white among 9-points}}$$

h. The definition of Color Gamut -Color Chromaticity CIE 1931
Color coordinate of white & red, green, blue at center point.

$$\text{Color Gamut : NTSC(\%)} = (\text{RGB Triangle Area} / \text{NTSC Triangle Area}) \times 100$$



5 Input Terminal Pin Assignment**5.1 Pin Assignment**

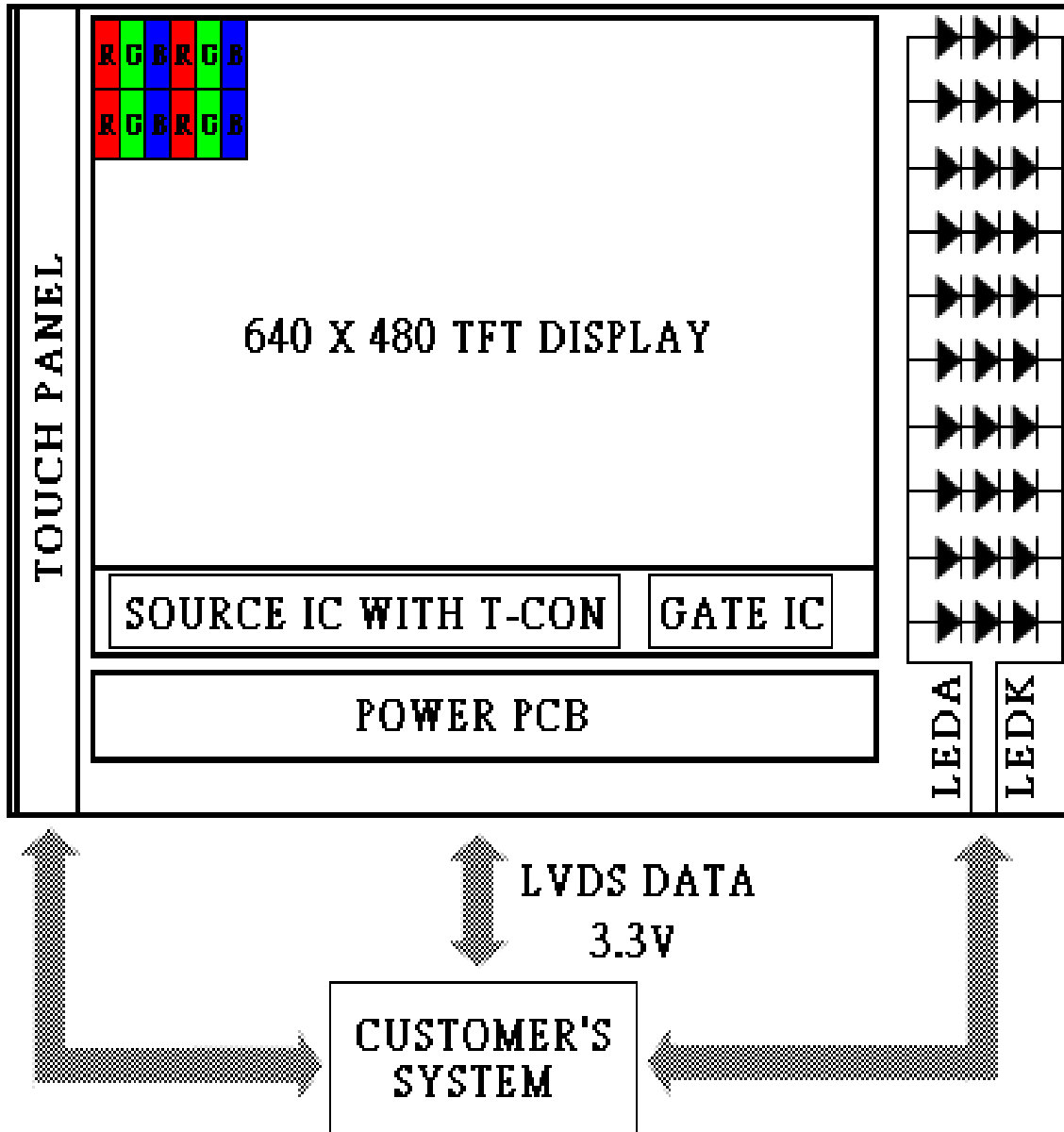
| Pin No. | Symbol | I/O | Function | Remark |
|---------|--------|-----|--|--------|
| 1 | VCC | P | Power Supply 3.3V | |
| 2 | VCC | P | Power Supply 3.3V | |
| 3 | VSS | P | Ground | |
| 4 | VSS | P | Ground | |
| 5 | RXIN0- | I | LVDS Data Differential Pair 0 input | |
| 6 | RXIN0+ | I | LVDS Data Differential Pair 0 input | |
| 7 | VSS | P | Ground | |
| 8 | RXIN1- | I | LVDS Data Differential Pair 1 input | |
| 9 | RXIN1+ | I | LVDS Data Differential Pair 1 input | |
| 10 | VSS | P | Ground | |
| 11 | RXIN2- | I | LVDS Data Differential Pair 2 input | |
| 12 | RXIN2+ | I | LVDS Data Differential Pair 2 input | |
| 13 | VSS | P | Ground | |
| 14 | RXCLK- | I | LVDS Clock Differential input | |
| 15 | RXCLK+ | I | LVDS Clock Differential input | |
| 16 | VSS | P | Ground | |
| 17 | NC | - | NC | |
| 18 | NC | - | NC | |
| 19 | REV | I | Select horizontal and vertical scanning direction. | Note 1 |
| 20 | VSS | P | Ground | |

5.2 Backlight Unit (BLU)

| Pin No. | Symbol | Function | Remark |
|---------|--------|--------------------------------|--------|
| 1 | LEDA | Power Supply for LED backlight | Red |
| 2 | LEDK | GND for LED backlight | Black |

Connector: JST BHSR-02VS-1

5.3 Block Diagram



5.4 Basic Display Color and Gray Scale

| | Color & Gray Scale | Data Signal | | | | | | | | | | | | | | | | | |
|-------------|--------------------|-------------|----|----|----|----|----|----|----|----|----|----|----|----|----|----|----|----|----|
| | | R5 | R4 | R3 | R2 | R1 | R0 | G5 | G4 | G3 | G2 | G1 | G0 | B5 | B4 | B3 | B2 | B1 | B0 |
| Basic Color | Black | 0 | 0 | 0 | 0 | 0 | 0 | 0 | 0 | 0 | 0 | 0 | 0 | 0 | 0 | 0 | 0 | 0 | 0 |
| | Red(0) | 1 | 1 | 1 | 1 | 1 | 1 | 0 | 0 | 0 | 0 | 0 | 0 | 0 | 0 | 0 | 0 | 0 | 0 |
| | Green(0) | 0 | 0 | 0 | 0 | 0 | 0 | 1 | 1 | 1 | 1 | 1 | 1 | 0 | 0 | 0 | 0 | 0 | 0 |
| | Blue(0) | 0 | 0 | 0 | 0 | 0 | 0 | 0 | 0 | 0 | 0 | 0 | 0 | 1 | 1 | 1 | 1 | 1 | 1 |
| | Cyan | 0 | 0 | 0 | 0 | 0 | 0 | 1 | 1 | 1 | 1 | 1 | 1 | 1 | 1 | 1 | 1 | 1 | 1 |
| | Magenta | 1 | 1 | 1 | 1 | 1 | 1 | 0 | 0 | 0 | 0 | 0 | 0 | 1 | 1 | 1 | 1 | 1 | 1 |
| | Yellow | 1 | 1 | 1 | 1 | 1 | 1 | 1 | 1 | 1 | 1 | 1 | 1 | 0 | 0 | 0 | 0 | 0 | 0 |
| | White | 1 | 1 | 1 | 1 | 1 | 1 | 1 | 1 | 1 | 1 | 1 | 1 | 1 | 1 | 1 | 1 | 1 | 1 |
| Red | Black | 0 | 0 | 0 | 0 | 0 | 0 | 0 | 0 | 0 | 0 | 0 | 0 | 0 | 0 | 0 | 0 | 0 | 0 |
| | Red(62) | 0 | 0 | 0 | 0 | 0 | 1 | 0 | 0 | 0 | 0 | 0 | 0 | 0 | 0 | 0 | 0 | 0 | 0 |
| | Red(61) | 0 | 0 | 0 | 0 | 1 | 0 | 0 | 0 | 0 | 0 | 0 | 0 | 0 | 0 | 0 | 0 | 0 | 0 |
| | : | : | : | : | : | : | : | : | : | : | : | : | : | : | : | : | : | : | : |
| | Red(31) | 0 | 1 | 1 | 1 | 1 | 1 | 0 | 0 | 0 | 0 | 0 | 0 | 0 | 0 | 0 | 0 | 0 | 0 |
| | : | : | : | : | : | : | : | : | : | : | : | : | : | : | : | : | : | : | : |
| | Red(1) | 1 | 1 | 1 | 1 | 1 | 0 | 0 | 0 | 0 | 0 | 0 | 0 | 0 | 0 | 0 | 0 | 0 | 0 |
| | Red(0) | 1 | 1 | 1 | 1 | 1 | 1 | 0 | 0 | 0 | 0 | 0 | 0 | 0 | 0 | 0 | 0 | 0 | 0 |
| Green | Black | 0 | 0 | 0 | 0 | 0 | 0 | 0 | 0 | 0 | 0 | 0 | 0 | 0 | 0 | 0 | 0 | 0 | 0 |
| | Green(62) | 0 | 0 | 0 | 0 | 0 | 0 | 0 | 0 | 0 | 0 | 0 | 1 | 0 | 0 | 0 | 0 | 0 | 0 |
| | Green(61) | 0 | 0 | 0 | 0 | 0 | 0 | 0 | 0 | 0 | 0 | 1 | 0 | 0 | 0 | 0 | 0 | 0 | 0 |
| | : | : | : | : | : | : | : | : | : | : | : | : | : | : | : | : | : | : | : |
| | Green(31) | 0 | 0 | 0 | 0 | 0 | 0 | 0 | 1 | 1 | 1 | 1 | 0 | 0 | 0 | 0 | 0 | 0 | 0 |
| | : | : | : | : | : | : | : | : | : | : | : | : | : | : | : | : | : | : | : |
| | Green(1) | 0 | 0 | 0 | 0 | 0 | 0 | 1 | 1 | 1 | 1 | 1 | 0 | 0 | 0 | 0 | 0 | 0 | 0 |
| | Green(0) | 0 | 0 | 0 | 0 | 0 | 0 | 1 | 1 | 1 | 1 | 1 | 1 | 0 | 0 | 0 | 0 | 0 | 0 |
| Blue | Black | 0 | 0 | 0 | 0 | 0 | 0 | 0 | 0 | 0 | 0 | 0 | 0 | 0 | 0 | 0 | 0 | 0 | 0 |
| | Blue(62) | 0 | 0 | 0 | 0 | 0 | 0 | 0 | 0 | 0 | 0 | 0 | 0 | 0 | 0 | 0 | 0 | 0 | 1 |
| | Blue(61) | 0 | 0 | 0 | 0 | 0 | 0 | 0 | 0 | 0 | 0 | 0 | 0 | 0 | 0 | 0 | 0 | 1 | 0 |
| | : | : | : | : | : | : | : | : | : | : | : | : | : | : | : | : | : | : | : |
| | Blue(31) | 0 | 0 | 0 | 0 | 0 | 0 | 0 | 0 | 0 | 0 | 0 | 0 | 0 | 1 | 1 | 1 | 1 | 1 |
| | : | : | : | : | : | : | : | : | : | : | : | : | : | : | : | : | : | : | : |
| | Blue(1) | 0 | 0 | 0 | 0 | 0 | 0 | 0 | 0 | 0 | 0 | 0 | 0 | 1 | 1 | 1 | 1 | 1 | 0 |
| | Blue(0) | 0 | 0 | 0 | 0 | 0 | 0 | 0 | 0 | 0 | 0 | 0 | 0 | 1 | 1 | 1 | 1 | 1 | 1 |

0 : Low level voltage, 1 :High level voltage

Each basic color can be displayed in 64 gray scales from 6 bit data signals. With the combination of total 18 bit data signals, the 262,144-color display can be achieved on the screen.

6 Touch Screen Panel**6.1 Electrical Characteristics**

| Item | Min. | Typ. | Max. | Unit | Note |
|-----------------------|------|------|------|------------|---------------------------|
| Linearity | - | - | 1.5 | % | Analog X and Y directions |
| Terminal Resistance | 200 | - | 900 | Ω | X (Glass side) |
| | 200 | - | 900 | Ω | Y (Film side) |
| Insulation Resistance | 20 | - | - | M Ω | DC 25V |
| Voltage | - | 5.0 | 15 | V | DC |
| Chattering | - | - | 15 | ms | 100k Ω pull-up |
| Transparency | - | 80 | - | % | Anti-glare |

6.2 Mechanical & Reliability Characteristics

| Item | Min. | Typ. | Max. | Unit | Note |
|------------------|-----------|------|------|-------|--------------------------|
| Operation Force | - | 60 | 100 | g | |
| Hitting Test | 1,000,000 | - | - | times | |
| Surface Hardness | 3 | - | - | H | According to (JIS-K5400) |

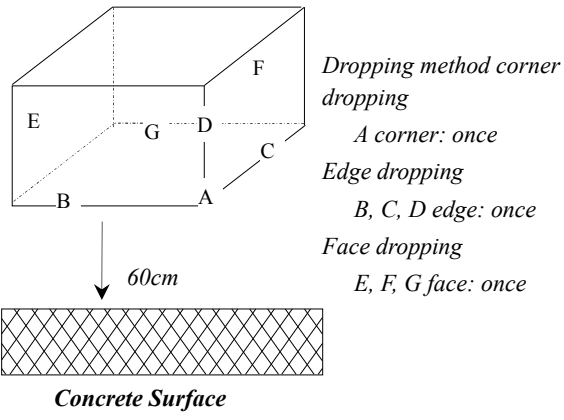
7 Reliability Condition

No change on display and in operation under the following test condition.

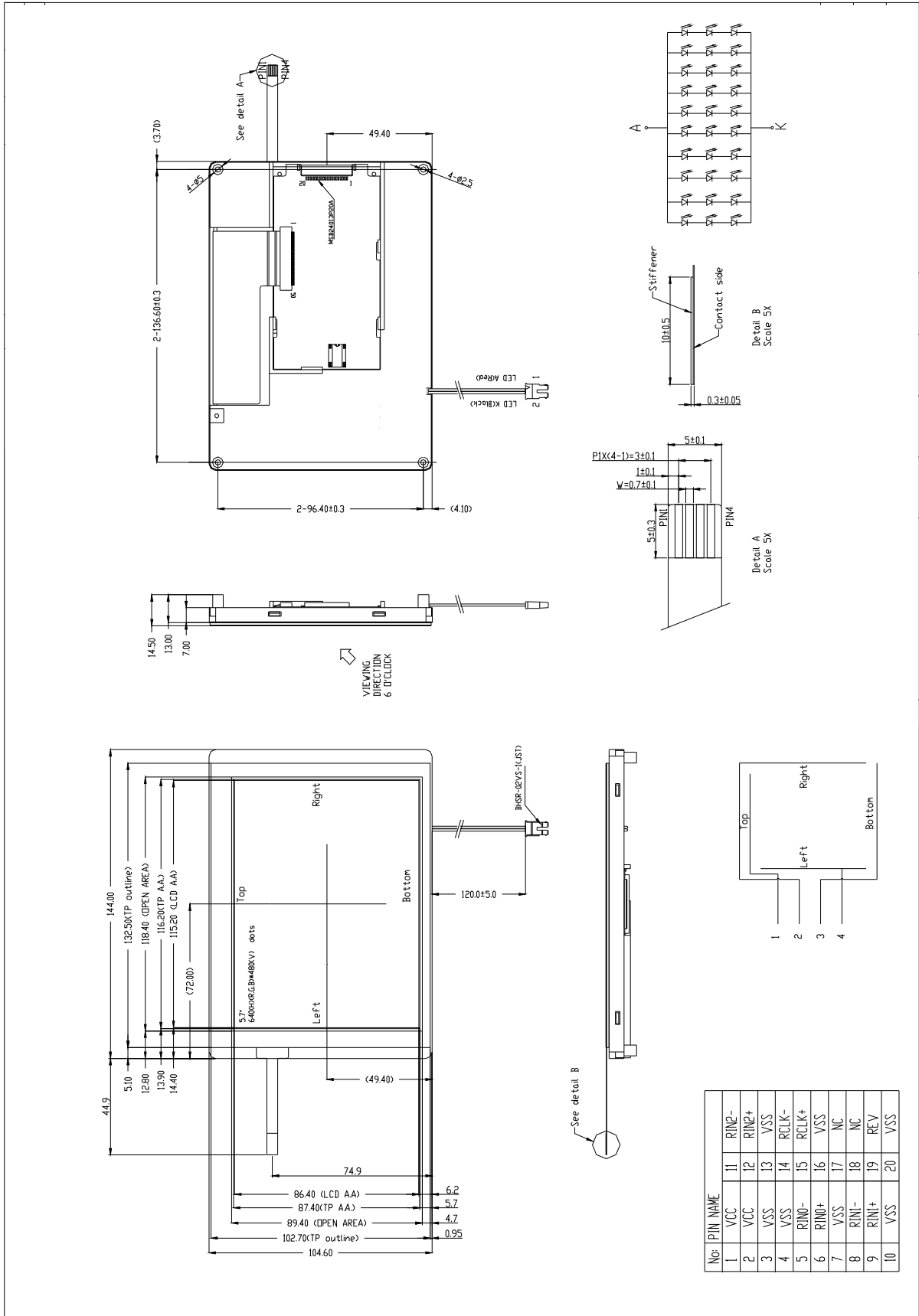
Condition: Unless otherwise specified, tests will be conducted under the following condition.

Temperature: 20±5°C Humidity: 65±5%RH

Tests will be not conducted under functioning state.

| No. | Parameter | Condition | Notes |
|-----|---|--|-------|
| 1 | High Temperature Operating | 70°C±2°C, 240hrs (Operation state) | - |
| 2 | Low Temperature Operating | -20°C±2°C, 240hrs (Operation state) | - |
| 3 | High Temperature Storage | 80°C±2°C, 240hrs | - |
| 4 | Low Temperature Storage | -30°C±2°C, 240hrs | - |
| 5 | High Temperature and High Humidity Operation Test | 60°C±2°C, 90%, 240hrs. | - |
| 6 | Vibration Test | Total fixed amplitude: 1.5mm Vibration Frequency: 10~55Hz One cycle 60 seconds to 3 direction of X, Y, Z each 15 minutes. | - |
| 7. | Drop Test | To be measured after dropping from 60cm high on the concrete surface in packing state.  | - |

8 Dimensional Outlines

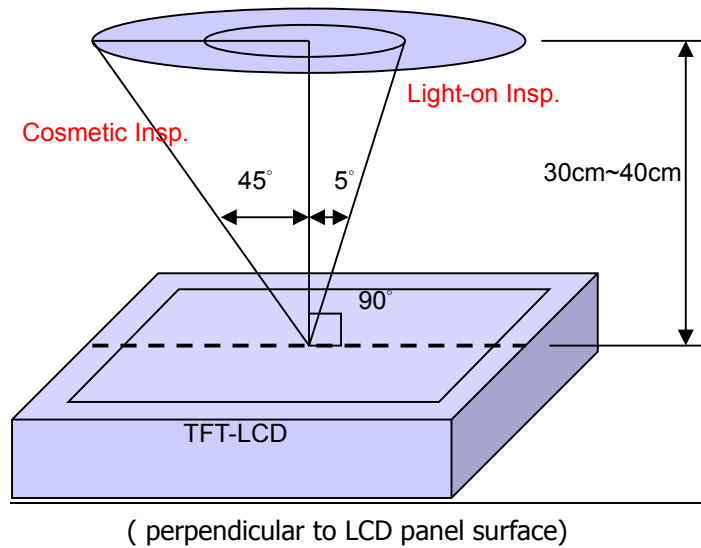


9 Incoming Inspection Standards

9.1 Inspection and Environment Conditions

9.1.1 Inspection Conditions:

- (1) Inspection Distance: 35 cm±5cm
- (2) View Angle : Light-on Inspection Angle : ±5°
Cosmetic Inspection Angle : ±45°



9.1.2 Environment Conditions:

| | | |
|----------------------|-----------------------|-------------------|
| Ambient Temperature | | 23°C±5°C |
| Ambient Humidity | | 55±10%RH |
| Ambient Illumination | Cosmetic Inspection | more than 600 Lux |
| | Functional Inspection | 300~500 Lux |

9.1.3 Sampling Conditions:

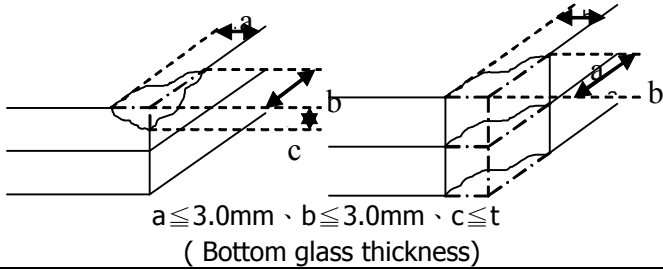
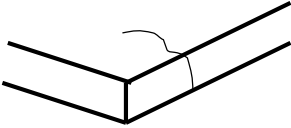
- (1) Lot Size: Quantity of shipment lot per model
- (2) Sampling Method:

| | | |
|---------------|--------------|------------------------------------|
| Sampling Plan | | MIL-STD-105E |
| | | Normal Inspection, Single Sampling |
| | | Level II |
| AQL | Major Defect | 1.0% |
| | Minor Defect | 1.5% |

(3) The classification of Major(MA) and Minor(MI) defects is shown as 3. Inspection Criteria.

9.1.4 Inspection Criteria

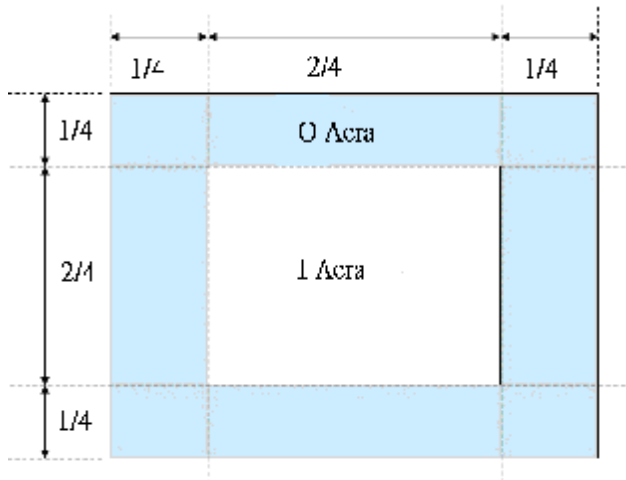
9.1.4.1 Cosmetic Inspection(Panel):

| Item | Judgment Criteria | Classification |
|---------------------------------------|---|----------------|
| Chipping on Panel |  <p>$a \leq 3.0\text{mm} \cdot b \leq 3.0\text{mm} \cdot c \leq t$ (Bottom glass thickness)</p> | MA |
| Scratch on Panel *Note-2 | <p>$W \leq 0.05\text{mm}$ or $L < 5\text{mm}$: Ignored $0.05\text{mm} < W \leq 0.1\text{mm}$ and $L \leq 5\text{mm}$: $N \leq 5$ $W > 0.1\text{mm}$ or $L > 5\text{mm}$: Not allowed</p> | MI |
| Bubble or Dent on Panel *Note-3 | <p>$D \leq 0.2\text{mm}$: Ignored $0.2\text{mm} < D \leq 0.3\text{mm}$: $N \leq 5$ $D > 0.3\text{mm}$: Not allowed</p> | MI |
| Panel Crack |  <p>Not Allowed crack</p> | MA |
| Bezel Deformation | Obvious deformation is not allowed. | MI |
| Bezel Oxidation | Not allowed if it rusts continuously over 1 cm (It is out of warranty with rusted tin plate) | MI |
| Bezel Scratch | $L \leq 20\text{mm}$, $W \leq 0.2$, $N \leq 3$ | MI |
| Metal Squash Dent /Flange(Front Side) | $D(W) \leq 1, L \leq 3, N \leq 3;$ | MI |
| B/L High Voltage Wire Denudation | Not allowed | MA |
| Polarizer flaw or leak out resin | Defect is defined as the active area. | MI |
| Outline Dimension | Must in Spec, refer to related product spec. | MI |

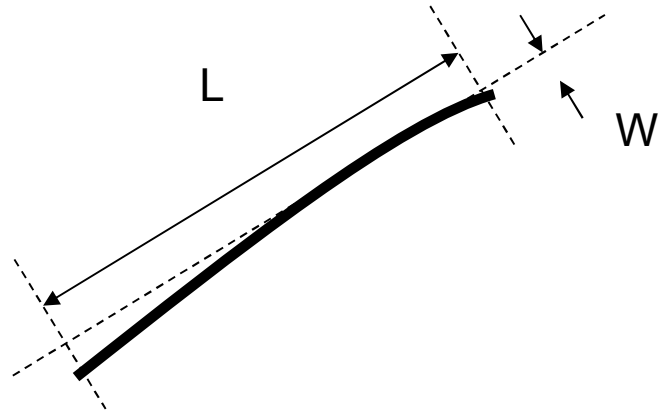
9.1.4.2 Functional Inspection:

| Item | Judgment Criteria | | | Classification |
|--|--|--|---------------------|----------------|
| | Area(Note1) | I | O | |
| Point Defect | Bright dot | Random | 2 | |
| | | 2 dots adjacent | 0 | 0 |
| | | 3 dots adjacent or more | 0 | 0 |
| | Dark dot | Random | 3 | |
| | | 2 dots adjacent | 0 | |
| | | 3 dots adjacent or more | 0 | 0 |
| | Total Dot Defect | | 5 | |
| | Distance | Distance between Bright and Bright dot | $L \geq 5\text{mm}$ | |
| | | Distance between Bright and Dark dot | $L \geq 5\text{mm}$ | |
| | | Distance between Dark dot | $L \geq 5\text{mm}$ | |
| (1) It is defined as Point Defect if defect area $> 0.5\text{dot}$ (2) It is ignored if defect area $\leq 0.5\text{dot}$ (3) Weak point defect will be defined as Bright Dot if it can be observed through ND filter 5%(Full Screen Black Inspection) | | | | MI |
| Line Defect | Obvious vertical or horizontal line defect is not allowed. | | | |
| Mura | Not allowed if it can be observed through ND Filter 5 % | | | |
| Foreign Material in spot shape *Note-3 | $D \leq 0.2\text{mm}$: Ignored $0.2\text{mm} < D \leq 0.5\text{mm}$: $N \leq 8$ $D > 0.5\text{mm}$: Not allowed | | | |
| Foreign Material in line or spiral shape *Note-4 | $W \leq 0.05\text{mm}$ or $L \leq 5\text{mm}$: Ignored $0.05\text{mm} < W \leq 0.2\text{mm}$ and $L 1.0\text{mm} \leq 5\text{mm}$: $N \leq 8$ $W > 0.2\text{mm}$ or $L > 5\text{mm}$: Not allowed | | | |
| Display Function Abnormal | No Malfunction can be allowed | | | |

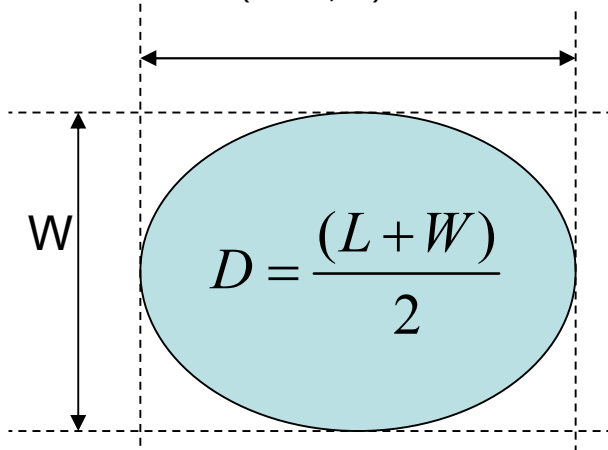
Note-1 : I/O Area Definition



Note-2 : Polarizer Scratch



Note-3 : Spot Foreign Material
($W \geq L / 4$)



Note-4 : Line or Spiral Foreign Material
($W < L / 4$)

