

TECHNICAL SPECIFICATIONS

D-Sub Hood:

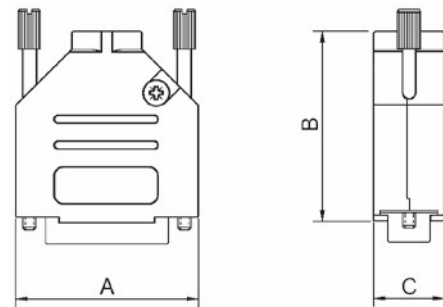
| | |
|------------------------|--|
| Material: | Zinc, Black Plated |
| Operating Temperature: | -40°C to +120°C |
| Cable Entry: | Top Entry |
| Thumbscrews: | UNC 4-40 (Standard) M2,5 or M3 on request |
| Cable O.D: | Up to 11,5mm |

D-Sub High Density:

| | |
|------------------------|----------------------------|
| Insulator: | PBT, Black, UL94 V-0 |
| Shell: | Stamped Steel, Tin Plated |
| Contact pins: | Copper Alloy |
| Stamped & Formed pins: | 100 inserts min |
| Contacts Plating: | Selective Gold over Nickel |
| Operating Temperature: | -55°C to +105°C |
| Withstanding voltage: | 500V for 1 minute |
| Insulator resistance: | 500MΩ min |

Features:

- Available in sizes HD15-26-44-62
- Excellent EMI Shielding
- Re-openable
- Strain relief inserts ensure a secure termination
- Black Full Metal Jackscrew as standard



| Size DTZK | Dim A | Dim B | Dim C |
|-----------|-------|-------|-------|
| 9-way | 31,0 | 39,5 | 15,0 |
| 15-way | 39,5 | 41,5 | 15,0 |
| 25-way | 53,5 | 48,5 | 15,0 |
| 37-way | 71,0 | 53,0 | 15,0 |

Ordering information:**Class 3 D-Sub Connector Kits (100 inserts min.)**

| Size: | P/N - Kitted: | Product Code - MALE Conn. Kit |
|--------|---------------|-------------------------------|
| 15-way | 6355-0102-01 | DTZK09-BK-HDP15-K |
| 26-way | 6355-0102-02 | DTZK15-BK-HDP26-K |
| 44-way | 6355-0102-03 | DTZK25-BK-HDP44-K |
| 62-way | 6355-0102-04 | DTZK37-BK-HDP62-K |

| Size: | P/N - Kitted: | Product Code - FEMALE Conn. Kit |
|--------|---------------|---------------------------------|
| 15-way | 6355-0102-11 | DTZK09-BK-HDS15-K |
| 26-way | 6355-0102-12 | DTZK15-BK-HDS26-K |
| 44-way | 6355-0102-13 | DTZK25-BK-HDS44-K |
| 62-way | 6355-0102-14 | DTZK37-BK-HDS62-K |

