

63381-1 ✓ ACTIVE

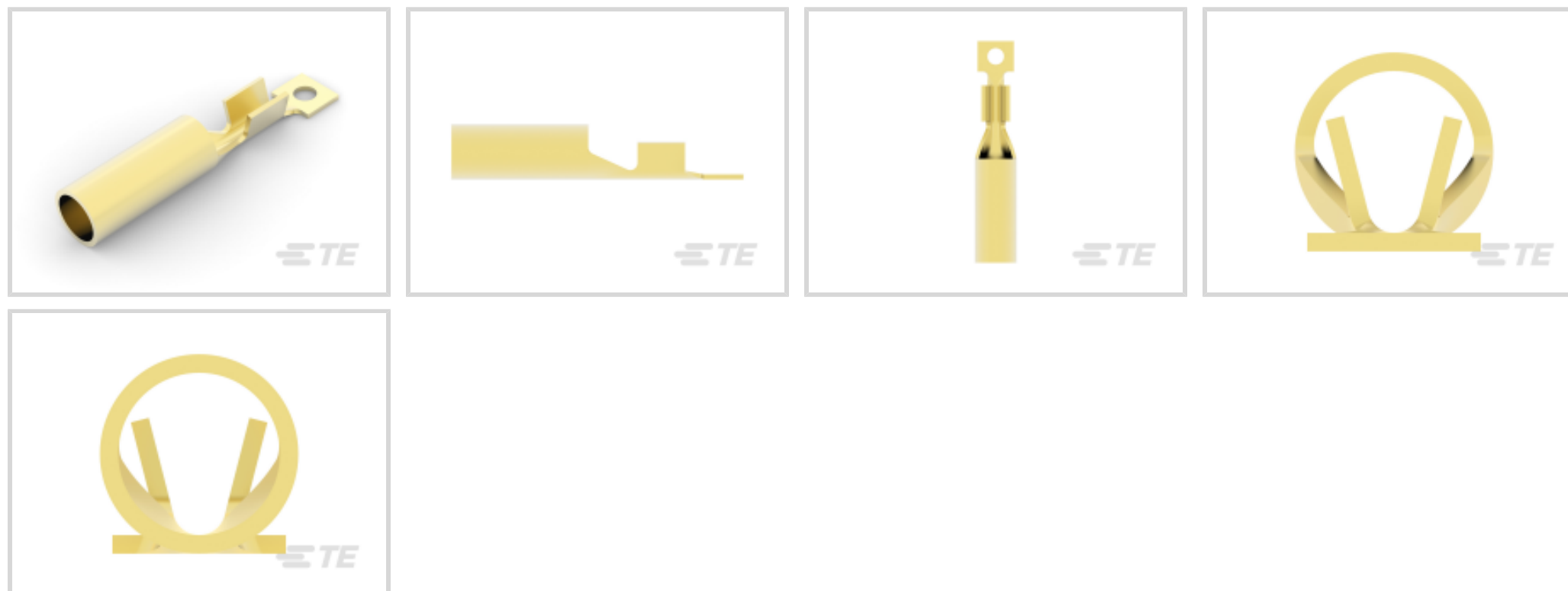
TE Internal #: 63381-1

Crimp Wire Pins, Tabs & Ferrules, Receptacle, Pin Diameter 3.17 mm [.125 in], 22 – 18 AWG Wire Size, .3 – .8 mm² Wire Size, 642 – 1624 CMA Wire Size

[View on TE.com >](#)



Terminals & Splices > Crimp Wire Pins, Tabs & Ferrules



Crimp Wire Pin, Tab & Ferrule Terminal Type: **Receptacle**

Pin Diameter: **3.17 mm [.125 in]**

Wire Size: **642 – 1624 CMA**

Features

Product Type Features

Compatible With Discrete Wire Type	Solid, Stranded
------------------------------------	-----------------

Configuration Features

Compatible With Wire & Cable Type	Discrete Wire
-----------------------------------	---------------

Contact Features

Crimp Wire Pin, Tab & Ferrule Terminal Type	Receptacle
---	------------

Barrel Type	Open
-------------	------

Terminal Plating Material	Unplated
---------------------------	----------

Terminal Orientation	Straight
----------------------	----------

Mechanical Attachment

Wire Insulation Support	Without
-------------------------	---------

Dimensions

Pin Diameter	3.17 mm [.125 in]
--------------	-------------------

Wire Size	642 – 1624 CMA
-----------	----------------

Barrel Inside Diameter	1.01 mm [.04 in]
------------------------	------------------

Terminal Material Thickness	.35 mm [.014 in]
-----------------------------	------------------

Overall Product Length	16.13 mm [.635 in]
------------------------	--------------------



Usage Conditions

Insulation Option	Uninsulated
-------------------	-------------

Operation/Application

Heavy Duty	No
------------	----

Packaging Features

Packaging Quantity	5000
Packaging Method	Reel

Product Compliance

[For compliance documentation, visit the product page on TE.com>](#)

EU RoHS Directive 2011/65/EU	Compliant
EU ELV Directive 2000/53/EC	Compliant
China RoHS 2 Directive MIIT Order No 32, 2016	No Restricted Materials Above Threshold
EU REACH Regulation (EC) No. 1907/2006	Current ECHA Candidate List: JAN 2022 (223) Candidate List Declared Against: JAN 2022 (223) Does not contain REACH SVHC
Halogen Content	Low Halogen - Br, Cl, F, I < 900 ppm per homogenous material. Also BFR/CFR/PVC Free
Solder Process Capability	Not applicable for solder process capability

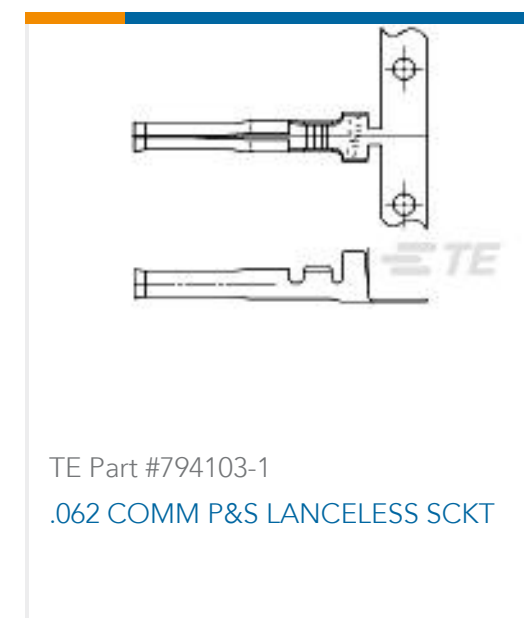
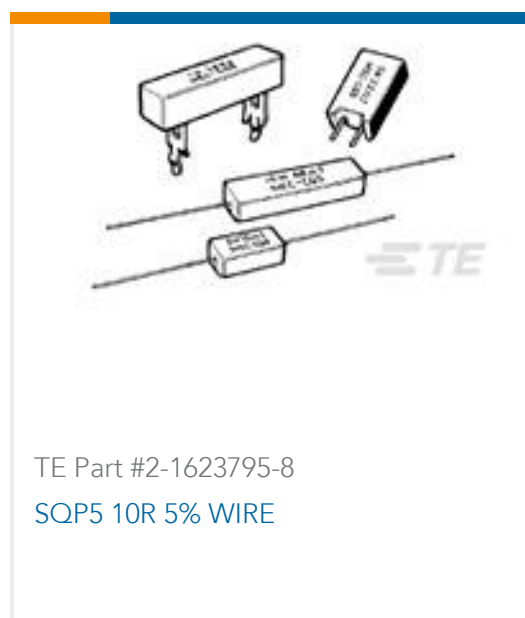
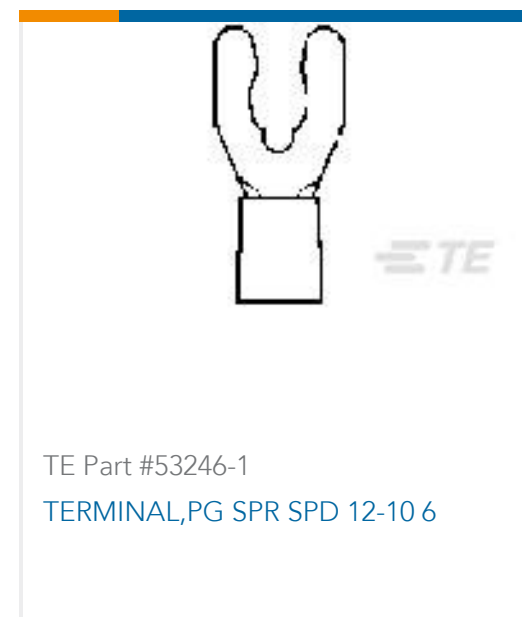
Product Compliance Disclaimer

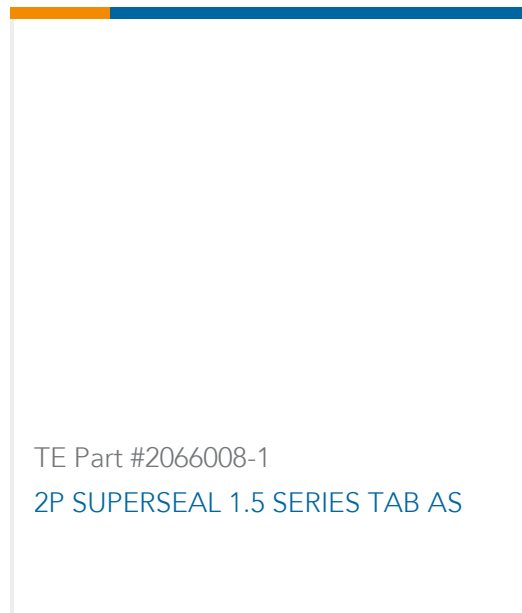
This information is provided based on reasonable inquiry of our suppliers and represents our current actual knowledge based on the information they provided. This information is subject to change. The part numbers that TE has identified as EU RoHS compliant have a maximum concentration of 0.1% by weight in homogenous materials for lead, hexavalent chromium, mercury, PBB, PBDE, DBP, BBP, DEHP, DIBP, and 0.01% for cadmium, or qualify for an exemption to these limits as defined in the Annexes of Directive 2011/65/EU (RoHS2). Finished electrical and electronic equipment products will be CE marked as required by Directive 2011/65/EU. Components may not be CE marked. Additionally, the part numbers that TE has identified as EU ELV compliant have a maximum concentration of 0.1% by weight in homogenous materials for lead, hexavalent chromium, and mercury, and 0.01% for cadmium, or qualify for an exemption to these limits as defined in the Annexes of Directive 2000/53/EC (ELV). Regarding the REACH Regulation, the information TE provides on SVHC in articles for this part number is based on the latest European Chemicals Agency (ECHA) 'Guidance on requirements for substances in articles' posted at this URL: <https://echa.europa.eu/guidance-documents/guidance-on-reach>

Compatible Parts



Customers Also Bought





Documents

Product Drawings

[PIN .125 TERMINAL REC 22-18 AWG BR](#)

English

CAD Files

[3D PDF](#)

3D

Customer View Model

[ENG_CVM_CVM_63381-1_G.2d_dxf.zip](#)

English

Customer View Model

[ENG_CVM_CVM_63381-1_G.3d_igs.zip](#)

English

Customer View Model

[ENG_CVM_CVM_63381-1_G.3d_stp.zip](#)

English

By downloading the CAD file I accept and agree to the [Terms and Conditions](#) of use.

Product Specifications

[Application Specification](#)

English

[Pin Receptacle Contact With Closed Seam](#)

English

Product Environmental Compliance

[TE Material Declaration](#)

English