



CM-SCE-TP

TE Internal #: 6101810001

TE Internal Description: CM-SCE-1/4-4H-4

[View on TE.com >](#)



Product Compliance

[For compliance documentation, visit the product page on TE.com>](#)

EU RoHS Directive 2011/65/EU	Compliant
EU ELV Directive 2000/53/EC	Compliant
China RoHS 2 Directive MIIT Order No 32, 2016	No Restricted Materials Above Threshold
EU REACH Regulation (EC) No. 1907/2006	Current ECHA Candidate List: JAN 2022 (223) Candidate List Declared Against: JAN 2022 (223) Does not contain REACH SVHC
Halogen Content	Not Low Halogen - contains Br or Cl > 900 ppm.
Solder Process Capability	Not applicable for solder process capability

Product Compliance Disclaimer

This information is provided based on reasonable inquiry of our suppliers and represents our current actual knowledge based on the information they provided. This information is subject to change. The part numbers that TE has identified as EU RoHS compliant have a maximum concentration of 0.1% by weight in homogenous materials for lead, hexavalent chromium, mercury, PBB, PBDE, DBP, BBP, DEHP, DIBP, and 0.01% for cadmium, or qualify for an exemption to these limits as defined in the Annexes of Directive 2011/65/EU (RoHS2). Finished electrical and electronic equipment products will be CE marked as required by Directive 2011/65/EU. Components may not be CE marked. Additionally, the part numbers that TE has identified as EU ELV compliant have a maximum concentration of 0.1% by weight in homogenous materials for lead, hexavalent chromium, and mercury, and 0.01% for cadmium, or qualify for an exemption to these limits as defined in the Annexes of Directive 2000/53/EC (ELV). Regarding the REACH Regulation, the information TE provides on SVHC in articles for this part number is based on the latest European Chemicals Agency (ECHA) 'Guidance on requirements for substances in articles' posted at this URL: <https://echa.europa.eu/guidance-documents/guidance-on-reach>

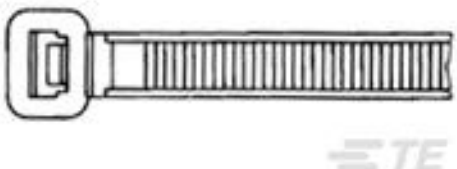
Compatible Parts



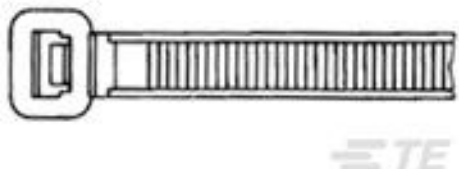
TE Part # 1-2186502-1
T3224-PRINTER



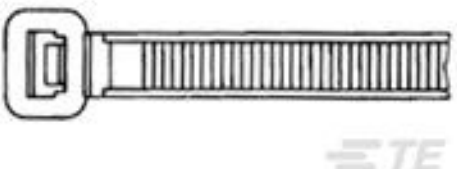
TE Part # 1-2186503-1
T3224-SWARE-PRINTER



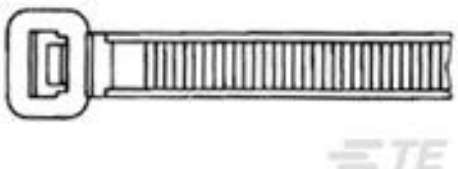
TE Part # 4-160968-1
CABLE TY 134X2.6 NAT



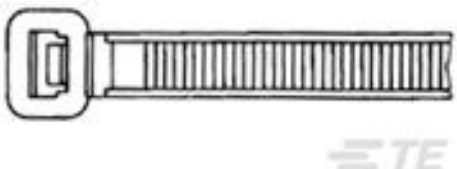
TE Part # 2-160975-1
CABLE TY 200X4.8 NAT



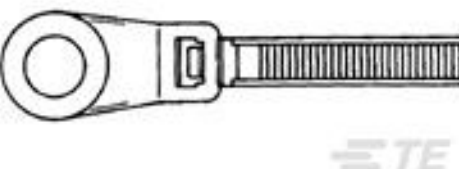
TE Part # 4-160968-2
CABLE TY 134X2.6 BLACK



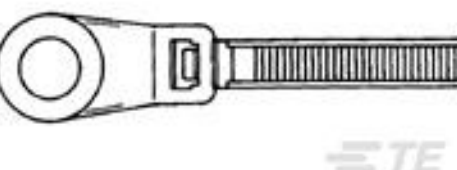
TE Part # 4-160971-2
CABLE TY 140X3.6 BLACK



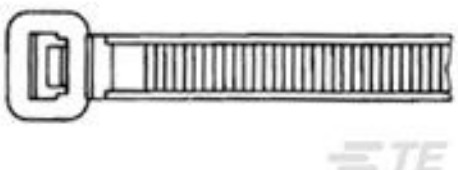
TE Part # 4-160975-2
CABLE TY 200X4.8 BLA




TE Part # 2-100715-1
CABLE TY 150X3,6NAT



TE Part # 2-100716-1
CABLE TY 200X4,8NAT



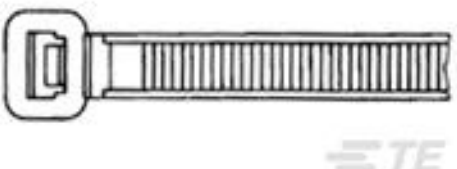
TE Part # 2-160970-2
CABLE TY 200X2.6 BLA



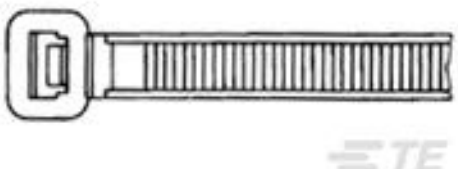
TE Part # 2-160978-1
CABLE TY 360X4,8NAT



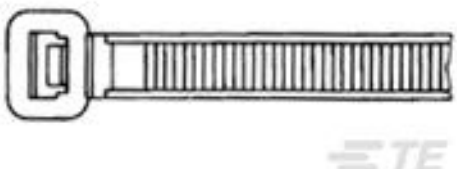
TE Part # 4-160970-2
CABLE TY 200X2.6 BLA



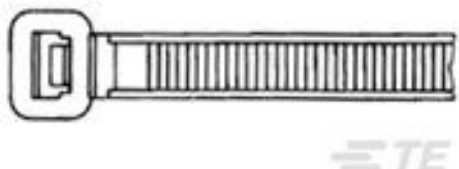
TE Part # 4-160975-1
CABLE TY 200X4.8 NAT




TE Part # 4-160974-1
CABLE TY 178X4,8NAT



TE Part # 2-160977-2
CABLE TY 290X4.8 BLA



TE Part # 2-160978-2
CABLE TY 360X4,8BLA




TE Part # 2-160968-1
FOAC CABLE TY NATURAL 134X2.6



TE Part # 1-2186500-1
T3212-PRINTER



TE Part # 1-2186501-1
T3212-SWARE-PRINTER



TE Part # 2-160968-2
CABLE TY 134X2.6 BLACK

Also in the Series | **CM-SCE-TP**



Printable Tags(12)

Customers Also Bought



TE Part #SP1-25
STRING POT 25.0 INCH RANGE



TE Part #090695-000
0026A0024-9X



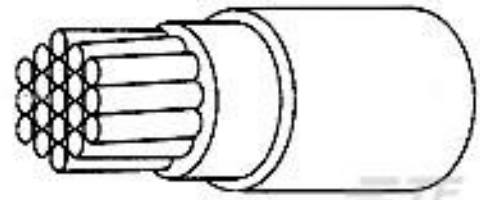
TE Part #8-215570-4
MICRO-MATCH PBC.14P



TE Part #5677592006
RNF-3000-12/4-0-STK



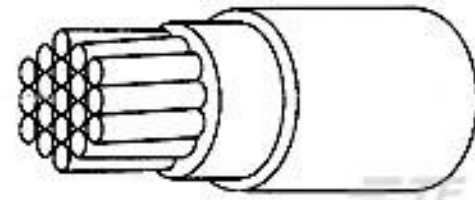
TE Part #3160383002
55A0121-24-0/9



TE Part #7908833001
99M0111-24-9



TE Part #2160393004
55A0111-28-9



TE Part #6390053001
99M0111-24-6



TE Part #1480293001
55A0131-16-0/2/9



TE Part #T4111010051-000
M12 M, 5P GOLD A CODE W/O
GLAND

Documents

Datasheets & Catalog Pages

[CM-SCE Technical Datasheet](#)

English

Product Specifications

[Cable Markers CM-SCE, CM-SCE-TP and HL](#)

English

[CABLE MARKER INSTALLATION GUIDE](#)

English

