

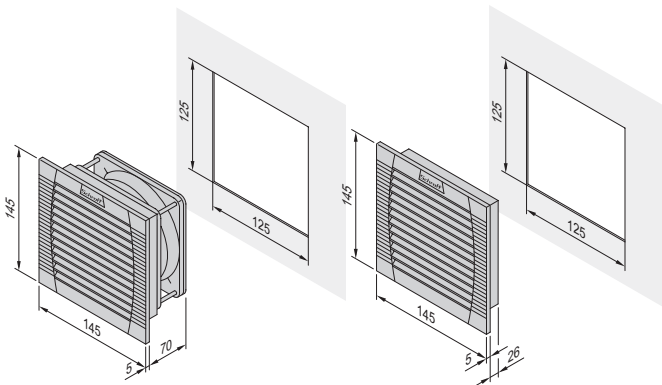
Filter Fans

AIR FILTERED FAN FL 200



SPECIFICATIONS

- Airflow volume 60 m³/h
- Easy conversion from pressure to suction operation
- Protection class IP 54, with fluted filter IP 55
- Simple clip-on mounting without tools



Air Filtered Fan FL 200

Air outlet/inlet filter FLA 200

Metal thicknesses 1 ... 2 mm - cutout 125 x 125 mm.

Metal thicknesses > 2 ... 3 mm - cutout 126 x 126 mm

SCOPE OF DELIVERY

Item	Qty.	Description
1	1	Front grille and case, plastic, ABS, RAL 7035, self-extinguishing, UL 94 V-0
2	1	Filter, filter class G 3 (EN 779)
3	1	Fan
4	1	Connection AC (terminal strip); connection DC (2 wires, 310 mm long)

STANDARD PRODUCT

Item number	Description
60715-145	Air filtered fan 24 VDC
60715-144	Air filtered fan 115 VAC
60715-143	Air filtered fan 230 VAC
60715-157	Air outlet/inlet filter FLA 200 (Items 1 + 2 included), 1 piece
60715-183	Replacement filter IP 54 for FL 200 and FLA 200, filter class G 3 (EN 779), PU 5 pieces
60715-187	Fluted filter IP 55 for FL 200 and FLA 200, filter class G4 (EN 779), PU 5 pieces

TECHNICAL DATA

Voltage	230 VAC	115 VAC	24 VDC
Frequency	50/60 Hz	50/60 Hz	DC
Free airflow volume with IP 54 filter	60/66 m ³ /h	60/66 m ³ /h	60 m ³ /h
Free airflow volume with IP 55 filter	56/64 m ³ /h	56/64 m ³ /h	56 m ³ /h
Combination FL + FLA IP 54	38/42 m ³ /h	38/42 m ³ /h	38 m ³ /h
Combination FL + FLA IP 55	40/46 m ³ /h	40/46 m ³ /h	40 m ³ /h
Max. static pressure IP 54	60 Pa	60 Pa	60 Pa
Max. static pressure IP 55	57 Pa	57 Pa	61 Pa
Noise level to EN ISO 3741	44 dB(A)	44 dB(A)	44 dB(A)
Max. ambient temperature	-15 ... +55 °C	-15 ... +55 °C	-15 ... +55 °C
Power consumption	19/18 W	20/20 W	5 W
Filter efficiency IP 54	83 %	83 %	83 %
Filter efficiency IP 55	91 %	91 %	91 %
MTBF at 40 °C	37000 h	37000 h	62000 h
Approvals	CE, cUR, EAC		

NOTE

- Mounting for wall thicknesses from 1 to 3 mm
- Multiple-fan solution on request