

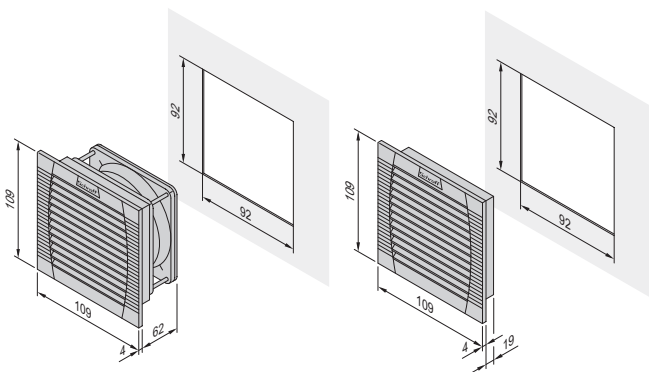
Filter Fans

AIR FILTERED FAN FL 100



SPECIFICATIONS

- Airflow volume 19 m³/h
- Easy conversion from pressure to suction operation
- Protection class IP 54
- Simple clip-on mounting without tools



Air Filtered Fan FL 100

Air outlet/inlet filter FLA 100

Metal thicknesses 1 ... 2 mm - cutout 92 x 92 mm.

Metal thicknesses > 2 ... 3 mm - cutout 93 x 93 mm

SCOPE OF DELIVERY

Item	Qty.	Description
1	1	Front grille and case, plastic, ABS, RAL 7035, self-extinguishing, UL 94 V-0
2	1	Filter, filter class G 3 (EN 779)
3	1	Fan
4	1	2 wire connection, length 310 mm

STANDARD PRODUCT

Item number	Description
60715-142	Air filtered fan 24 VDC
60715-141	Air filtered fan 115 VAC
60715-140	Air filtered fan 230 VAC
60715-156	Air outlet/inlet filter FLA 100 (Items 1 + 2 included), 1 piece
60715-182	Replacement filter IP 54 for FL 100 and FLA 100, filter class G 3 (EN 779), PU 5 pieces

TECHNICAL DATA

Voltage	230 VAC	115 VAC	24 VDC
Frequency	50/60 Hz	50/60 Hz	DC
Free airflow volume with filter	19/24 m ³ /h	19/24 m ³ /h	19 m ³ /h
Noise level to EN ISO 3741	33 dB(A)	33 dB(A)	33 dB(A)
Combination FL + FLA	12/14 m ³ /h	12/14 m ³ /h	12 m ³ /h
Max. static pressure	38 Pa	38 Pa	38 Pa
Operating temperature	-15 ... +55 °C	-15 ... +55 °C	-15 ... +55 °C
Power consumption	12/11 W	12/11 W	2.4 W
Filter efficiency	88 %	88 %	88 %
MTBF at 40 °C	52000 h	52000 h	70000 h
Approvals	CE, cUR, EAC		

NOTE

- Mounting for wall thicknesses from 1 to 3 mm
- Multiple-fan solution on request