

# LEV200H5ANF ✓ ACTIVE

Kilovac | Kilovac LEV200

TE Internal #: 6-1618388-7

Kilovac LEV200, High Voltage Relays, 12 – 900 kVDC Contact Voltage, 1 Form X, SPST-NO-DM, Flying Leads, Stud Terminals, Without Economizer

[View on TE.com >](#)



Relays, Contactors & Switches > Relays > High Voltage Relays



Contact Voltage Rating: **12 – 900 kVDC**

High Voltage Relay Contact Arrangement: **1 Form X, SPST-NO-DM**

High Voltage Connection (Coil): **Flying Leads**

High Voltage Connection (Power): **Stud Terminals**

Economizer: **Without**

## Features

### Product Type Features

|              |           |
|--------------|-----------|
| Product Type | Contactor |
|--------------|-----------|

### Configuration Features

|                 |         |
|-----------------|---------|
| Economizer      | Without |
| Power Switching | Yes     |

### Electrical Characteristics

|  |               |
|--|---------------|
| Contact Voltage Rating                             | 12 – 900 kVDC |
| High Voltage Relay Voltage (Max)                   | 500 VDC       |
| High Voltage Relay Coil Voltage Rating             | 24 VDC        |
| High Voltage Relay Coil Resistance                 | 40 Ω          |
| High Voltage Relay Contact Switching Voltage (Max) | 900           |

### Contact Features

|   |                      |
|---|----------------------|
| High Voltage Relay Contact Arrangement    | 1 Form X, SPST-NO-DM |
| Auxiliary Contacts                        | With                 |
| High Voltage Relay Contact Current Rating | 500 A                |
| Contact Base Material                     | Copper               |

### Termination Features

|                                |              |
|--------------------------------|--------------|
| High Voltage Connection (Coil) | Flying Leads |
|--------------------------------|--------------|



High Voltage Connection (Power)

Stud Terminals

**Mechanical Attachment**

High Voltage Relay Mounting Type

Side Mount

**Product Compliance**

[For compliance documentation, visit the product page on TE.com>](#)

EU RoHS Directive 2011/65/EU

Compliant

EU ELV Directive 2000/53/EC

Compliant with Exemptions

China RoHS 2 Directive MIIT Order No 32, 2016

No Restricted Materials Above Threshold

EU REACH Regulation (EC) No. 1907/2006

Current ECHA Candidate List: JAN 2022 (223)  
 Candidate List Declared Against: JAN 2022 (223)  
 Does not contain REACH SVHC

Halogen Content

Low Halogen - Br, Cl, F, I < 900 ppm per homogenous material. Also BFR/CFR/PVC Free

Solder Process Capability

Not applicable for solder process capability

**Product Compliance Disclaimer**

This information is provided based on reasonable inquiry of our suppliers and represents our current actual knowledge based on the information they provided. This information is subject to change. The part numbers that TE has identified as EU RoHS compliant have a maximum concentration of 0.1% by weight in homogenous materials for lead, hexavalent chromium, mercury, PBB, PBDE, DBP, BBP, DEHP, DIBP, and 0.01% for cadmium, or qualify for an exemption to these limits as defined in the Annexes of Directive 2011/65/EU (RoHS2). Finished electrical and electronic equipment products will be CE marked as required by Directive 2011/65/EU. Components may not be CE marked. Additionally, the part numbers that TE has identified as EU ELV compliant have a maximum concentration of 0.1% by weight in homogenous materials for lead, hexavalent chromium, and mercury, and 0.01% for cadmium, or qualify for an exemption to these limits as defined in the Annexes of Directive 2000/53/EC (ELV). Regarding the REACH Regulation, the information TE provides on SVHC in articles for this part number is based on the latest European Chemicals Agency (ECHA) 'Guidance on requirements for substances in articles' posted at this URL: <https://echa.europa.eu/guidance-documents/guidance-on-reach>

**Compatible Parts**



**Also in the Series | Kilovac LEV200**



DC Contactors(15)



Definite Purpose Contactors(1)



General Purpose Contactors(4)

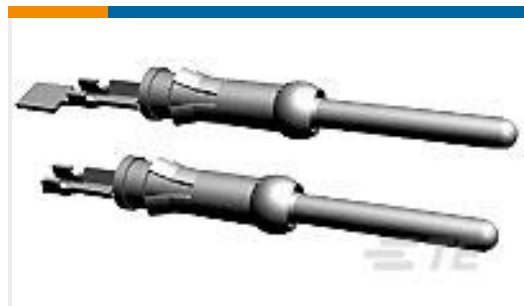


High Voltage Relays(13)

## Customers Also Bought



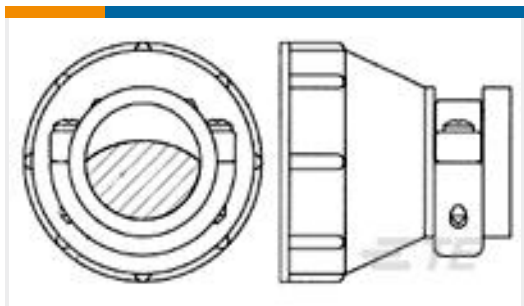
TE Part #206305-1  
CPC PLUG ASSEMBLY SIZE 23-37



TE Part #1-66359-4  
III+ PIN,18-14,TIN,STRIP



TE Part #35107  
TERMINAL,PIDG R 12-10 6



TE Part #182652-1  
23 SIZE CPC STD CLAMP



TE Part #DT04-3P  
REC, 3P, GRY, N



TE Part #W2S  
WEDGE LOCK, 2P, PLG, ORG, STD, DT



TE Part #4-1393789-3  
V23079D2001B301



TE Part #YDTS24W15-18JAV001  
RECP ASSY



TE Part #ZPF00000000015832  
DTB 26 B 25-19 AN



TE Part #ZPF00000000015827  
DTB 26 B 19-35 BN

## Documents

[CAD Files](#)

[3D PDF](#)

[3D](#)

[Customer View Model](#)

[ENG\\_CVM\\_CVM\\_6-1618388-7\\_E.2d\\_dxf.zip](#)

English

[Customer View Model](#)

[ENG\\_CVM\\_CVM\\_6-1618388-7\\_E.3d\\_igs.zip](#)



English

**Customer View Model**

[ENG\\_CVM\\_CVM\\_6-1618388-7\\_E.3d\\_stp.zip](#)

English

By downloading the CAD file I accept and agree to the [Terms and Conditions](#) of use.

**Datasheets & Catalog Pages**

[5-1773450-5\\_sec7\\_LEV200](#)

English