

MTE106D ✓ ACTIVE

[Alcoswitch](#) | [Alcoswitch MTE](#)

TE Internal #: 6-1437558-8

Alcoswitch MTE, Toggle Switches, Single Pole - Double Throw Configuration (Pole-Throw), 1/4-40, Sealed, Copper Alloy, Gold Flash over Silver

[View on TE.com >](#)



Relays, Contactors & Switches > Switches > Toggle Switches



Configuration (Pole-Throw): **Single Pole - Double Throw**

Bushing Thread Size: **1/4-40**

Sealed Toggle Switch: **Yes**

Contact Base Material: **Copper Alloy**

Switch Contact Plating Material: **Gold Flash over Silver**

Features

Product Type Features

Product Type	Switch
Sealed Toggle Switch	Yes
Toggle Style	Baton Long
Toggle Switch Type	Toggle
Toggle Actuation	Vertical

Configuration Features

Configuration (Pole-Throw)	Single Pole - Double Throw
Operating Function	On None On

Electrical Characteristics

Dielectric Strength	1500 VAC
UL/CSA Current Rating (125V)	3 A
Insulation Resistance	1000 MΩ
UL/CSA Current Rating (250V)	3 A
Contact Resistance	10 mΩ
Toggle Switch Voltage Rating	125 VAC

Body Features

Actuator Finish	Chrome
Color	Green



Bushing Thread Size	1/4-40
Toggle Switch Seal Type	Internal Actuator O-Ring, Terminal Seal (Insert Molded)
Bushing Style	Threaded

Contact Features

Contact Base Material	Copper Alloy
Switch Contact Plating Material	Gold Flash over Silver
Toggle Switch Contact Current Rating	6 A

Termination Features

Termination Type	Vertical, Wire Lugs
------------------	---------------------

Mechanical Attachment

Toggle Switch Mounting Type	Panel
-----------------------------	-------

Housing Features

Process Sealed	Yes
----------------	-----

Dimensions

Toggle Length	10.49 mm [.413 in]
---------------	--------------------

Industry Standards

UL Flammability Rating	UL 94V-0
------------------------	----------

Other

Comment	UL available when ordering - consult factory.
---------	---

Product Compliance

[For compliance documentation, visit the product page on TE.com>](#)

EU RoHS Directive 2011/65/EU	Compliant
EU ELV Directive 2000/53/EC	Compliant with Exemptions
China RoHS 2 Directive MIIT Order No 32, 2016	No Restricted Materials Above Threshold
EU REACH Regulation (EC) No. 1907/2006	Current ECHA Candidate List: JAN 2022 (223) Candidate List Declared Against: JAN 2021 (211) SVHC > Threshold: Pb (3.7% in component) 1,6,7,8,9,14,15,16,17,17,18,18-dodecachloropentacyclo



[12.2.1.16,9.02,13.05,10]octadeca-7,15-diene (Dechlorane Plus) (6.7% in component)

Article Safe Usage Statements:

Do not eat, drink or smoke when using this product. Wash thoroughly after handling. Do not handle until all safety precautions have been read and understood. Recycle if possible and dispose of the article by following all applicable governmental regulations relevant to your geographic location.

Halogen Content

Not Low Halogen - contains Br or Cl > 900 ppm.

Solder Process Capability

Wave solder capable to 265°C

Product Compliance Disclaimer

This information is provided based on reasonable inquiry of our suppliers and represents our current actual knowledge based on the information they provided. This information is subject to change. The part numbers that TE has identified as EU RoHS compliant have a maximum concentration of 0.1% by weight in homogenous materials for lead, hexavalent chromium, mercury, PBB, PBDE, DBP, BBP, DEHP, DIBP, and 0.01% for cadmium, or qualify for an exemption to these limits as defined in the Annexes of Directive 2011/65/EU (RoHS2). Finished electrical and electronic equipment products will be CE marked as required by Directive 2011/65/EU. Components may not be CE marked. Additionally, the part numbers that TE has identified as EU ELV compliant have a maximum concentration of 0.1% by weight in homogenous materials for lead, hexavalent chromium, and mercury, and 0.01% for cadmium, or qualify for an exemption to these limits as defined in the Annexes of Directive 2000/53/EC (ELV). Regarding the REACH Regulation, the information TE provides on SVHC in articles for this part number is based on the latest European Chemicals Agency (ECHA) 'Guidance on requirements for substances in articles' posted at this URL: <https://echa.europa.eu/guidance-documents/guidance-on-reach>

Compatible Parts



TE Part # 7-1437558-2
MTE206N=(MSTE) SWITCH TOGGLE W



TE Part # 6-1437558-9
MTE106E=(MSTE) SW TOG WATERPRO



TE Part # 7-1437558-3
MTE206P=(MSTE) SW TOG WATERPRO



TE Part # 7-1437558-8
MTE306D=(MSTE) SW TOG WATERPRO



TE Part # 7-1437558-1
MTE106G=(MSTE) SW TOG WATERPRO



TE Part # 7-1437558-5
MTE206R=(MSTE) SW TOG WATERPRO

Also in the Series | [Alcoswitch MTE](#)



Insertion & Extraction Tools(1)



Toggle Switches(7)

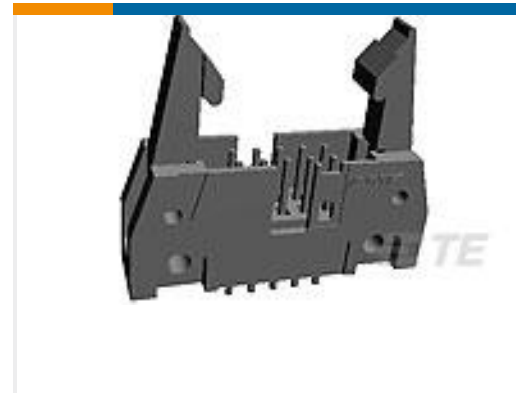
Customers Also Bought



TE Part #T4141012051-000
M12,REAR MOUNTING,FEMALE,A
CODE,5P



TE Part #323915
TERMINAL,PIDG R 26-22 6



TE Part #5499206-5
A/L UNIV HDR 24P VERT LG LAT



TE Part #5745072-4
HD-20 PLUG 15P VERT FFSCRLK



TE Part #7-1437621-2
KD500B1/4=KNOB BLK DIAMOND
KNU



TE Part #5-2176337-3
CRGCO 0402 220K 1%



TE Part #1-2176411-0
1/2W SM M/OX 5% 27K



TE Part #1218124-3
25 POS,ASSY,PLUG,LOW PROF,109



TE Part #7-6437630-2
AWTN1504 = POWER TOGGLE



TE Part #1825604-2
BPA1440204=Boot,Pushbutton

Documents

Product Drawings

[MTE106D=\(MSTE\) SW TOG WATERPRO](#)

English

CAD Files

[3D PDF](#)

3D

[Customer View Model](#)

[ENG_CVM_CVM_6-1437558-8_C.2d_dxf.zip](#)



English

Customer View Model

[ENG_CVM_CVM_6-1437558-8_C.3d_igs.zip](#)

English

Customer View Model

[ENG_CVM_CVM_6-1437558-8_C.3d_stp.zip](#)

English

By downloading the CAD file I accept and agree to the [Terms and Conditions](#) of use.

Datasheets & Catalog Pages

[2-1773458-6_GREEN_SERIES_SWITCHES](#)

English