

5788450-1 ✓ ACTIVE

CHAMP | CHAMP Docking Connectors

TE Internal #: 5788450-1

Docking Connectors, Receptacle, Cable-to-Board, 200 Position, .05 in [1.27 mm] Centerline, 8 Row, 200 Signal Positions, CHAMP

Docking Connectors

[View on TE.com >](#)



Connectors > Dock Connectors & Guide Hardware > Docking Connectors



Docking Connector Style: **Receptacle**

Connector System: **Cable-to-Board**

Number of Positions: **200**

Centerline (Pitch): **1.27 mm [.05 in]**

Number of Rows: **8**

Features

Product Type Features

Grounding Options	Panel Ground
Ground Component Type	Grounding Plate
Docking Connector Style	Receptacle
Connector System	Cable-to-Board
Sealable	No
Connector & Contact Terminates To	Printed Circuit Board

Configuration Features

Number of Positions	200
Number of Rows	8
Number of Signal Positions	200
Number of Power Positions	0
PCB Mount Orientation	Right Angle

Body Features

Ground Plate Material	Stainless Steel
Shell Base Material	Steel

Contact Features

	30 μ in
Contact Mating Area Plating Material	Gold



Contact Underplating Material	Nickel
PCB Contact Termination Area Plating Material	Tin
Contact Base Material	Phosphor Bronze
Number of Utility Contacts	0
Contact Current Rating (Max)	.5 A

Termination Features

Termination Post & Tail Length	2.49 mm[.01 in]
Termination Method to Printed Circuit Board	Through Hole - Solder

Mechanical Attachment

PCB Mount Alignment	Without
PCB Mount Retention Type	Boardlock
PCB Mount Retention	With
Connector Mounting Type	Board Mount

Housing Features

Housing Material	Polyester
Housing Color	Natural
Centerline (Pitch)	1.27 mm[.05 in]

Usage Conditions

Operating Temperature Range	-55 – 85 °C[-67 – 185 °F]
-----------------------------	---------------------------

Operation/Application

Circuit Application	Signal
---------------------	--------

Industry Standards

UL Flammability Rating	UL 94V-0
------------------------	----------

Packaging Features

Packaging Quantity	24
Packaging Method	Box

Other

Comment	With sequenced contacts.
---------	--------------------------

Product Compliance

[For compliance documentation, visit the product page on TE.com>](#)

EU RoHS Directive 2011/65/EU	Not Yet Reviewed
------------------------------	------------------



EU ELV Directive 2000/53/EC	Compliant
China RoHS 2 Directive MIIT Order No 32, 2016	No Restricted Materials Above Threshold
EU REACH Regulation (EC) No. 1907/2006	Current ECHA Candidate List: JUNE 2022 (224) Candidate List Declared Against: JAN 2021 (211) SVHC > Threshold: Not Yet Reviewed
Halogen Content	Not Low Halogen - contains Br or Cl > 900 ppm.
Solder Process Capability	Wave solder capable to 265°C

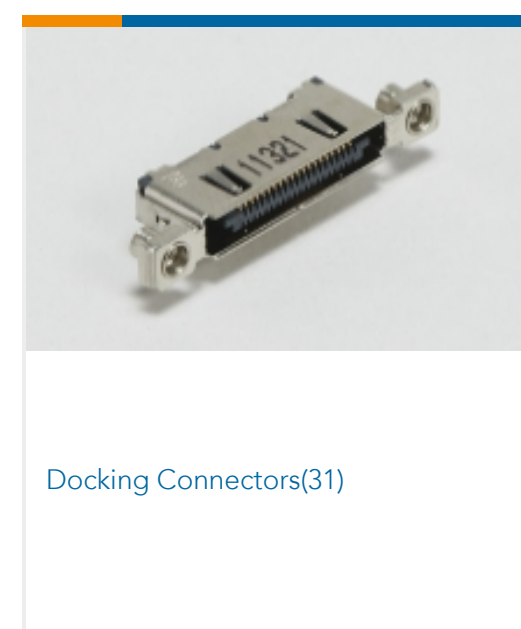
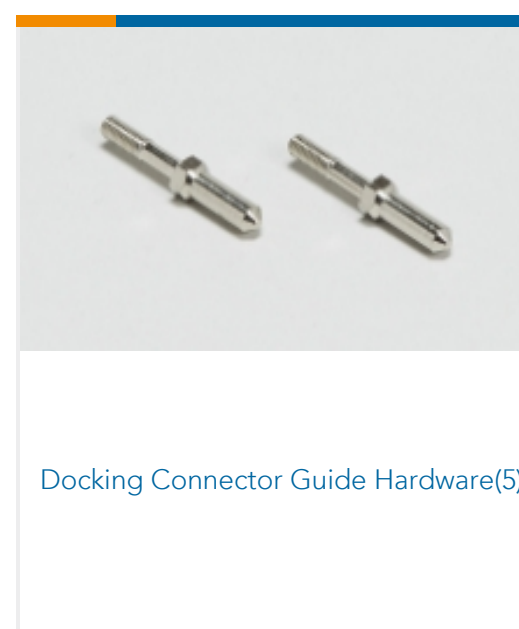
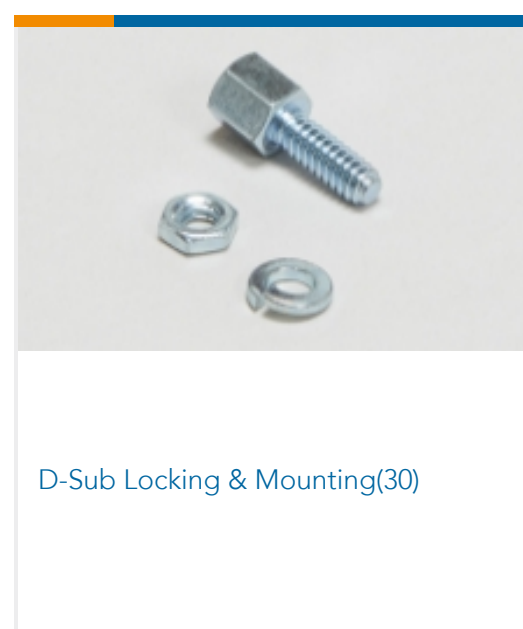
Product Compliance Disclaimer

This information is provided based on reasonable inquiry of our suppliers and represents our current actual knowledge based on the information they provided. This information is subject to change. The part numbers that TE has identified as EU RoHS compliant have a maximum concentration of 0.1% by weight in homogenous materials for lead, hexavalent chromium, mercury, PBB, PBDE, DBP, BBP, DEHP, DIBP, and 0.01% for cadmium, or qualify for an exemption to these limits as defined in the Annexes of Directive 2011/65/EU (RoHS2). Finished electrical and electronic equipment products will be CE marked as required by Directive 2011/65/EU. Components may not be CE marked. Additionally, the part numbers that TE has identified as EU ELV compliant have a maximum concentration of 0.1% by weight in homogenous materials for lead, hexavalent chromium, and mercury, and 0.01% for cadmium, or qualify for an exemption to these limits as defined in the Annexes of Directive 2000/53/EC (ELV). Regarding the REACH Regulation, the information TE provides on SVHC in articles for this part number is based on the latest European Chemicals Agency (ECHA) 'Guidance on requirements for substances in articles' posted at this URL: <https://echa.europa.eu/guidance-documents/guidance-on-reach>

Compatible Parts



Also in the Series | CHAMP Docking Connectors



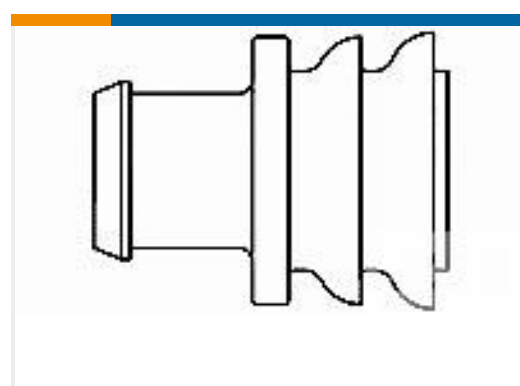


IDC D-Sub Connectors(80)



PCB D-Sub Connectors(1)

Customers Also Bought

TE Part #DT04-2P
DEUTSCH DT HOUSINGSTE Part #W2S
DEUTSCH DT WEDGELOCKSTE Part #282104-1
AMP SUPERSEAL 1.5MM,
CONNECTOR HOUSINGTE Part #206070-8
CABLE CLAMP KIT #17TE Part #0460-202-16141
DEUTSCH SOLID CONTACTSTE Part #281934-2
SINGLE WIRE SEAL

Documents

Product Drawings

200 50SR CMP LP R/A RCP W/O HW

English

CAD Files

3D PDF

English

Customer View Model

[ENG_CVM_5788450-1_O.2d_dxf.zip](#)

English

Customer View Model

[ENG_CVM_5788450-1_O.3d_igs.zip](#)

English

Customer View Model

[ENG_CVM_5788450-1_O.3d_stp.zip](#)

English

By downloading the CAD file I accept and agree to the [Terms and Conditions](#) of use.



Product Specifications

Application Specification

English

CHAMP .050 Series Low Profile Docking Connectors

English