



## 5768

### Plug in style heat sink featuring four spring action clips



Plug in style heat sink features four spring action clips to firmly hold the device to the heat sink ensuring maximum metal to metal thermal contact. Available with solderable mounting tabs for both horizontal and vertical mounting to the PC board.

FIGURE A

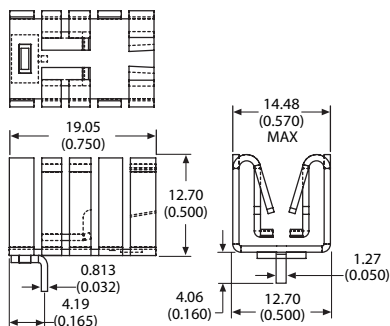
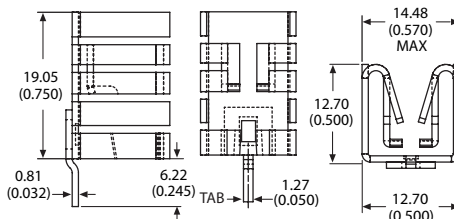


FIGURE B

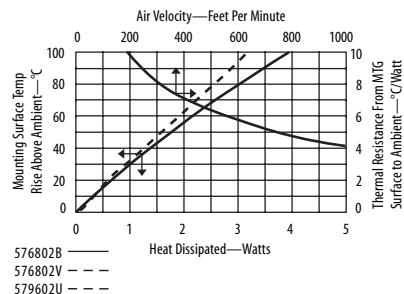


Material: 0.81 (0.032) Thick Aluminum  
Finish: See Table

#### ORDERING INFORMATION

| Part Number   | Description                             | Figure | Finish                 | Dia of PCB Plated Thru Hole for Tabs |
|---------------|---|--------|------------------------|--------------------------------------|
| 576802B00000G | Slim plug in heat sink, no mounting tab | A      | Black anodize          |                                      |
| 576802V00000G | Slim plug in heat sink, no mounting tab | A      | AavSHIELD <sup>3</sup> |                                      |
| 576802U00000G | Slim plug in heat sink, no mounting tab | A      | Unfinished             |                                      |
| 576802B03100G | With single tab for horizontal mounting | A      | Black anodize          | 1.73 (0.068)                         |
| 576802V03100G | With single tab for horizontal mounting | A      | AavSHIELD <sup>3</sup> | 1.73 (0.068)                         |
| 576802U03100G | With single tab for horizontal mounting | A      | Unfinished             | 1.73 (0.068)                         |
| 576802B04000G | With single tab for vertical mounting   | B      | Black anodize          | 1.75 (0.069)                         |
| 576802V04000G | With single tab for vertical mounting   | B      | AavSHIELD <sup>3</sup> | 1.75 (0.069)                         |
| 576802U04000G | With single tab for vertical mounting   | B      | Unfinished             | 1.75 (0.069)                         |

For additional options see page 84



## PF432, PF433, PF434, PF435, PF436 Plug in style heat sink features pre-blackened finish



Plug in style heat sink features pre-blackened finish and two spring action clips to firmly hold the device to the heat sink ensuring maximum metal to metal thermal contact. Available with solderable mounting tabs for both horizontal and vertical mounting to the PC board.

FIGURE A

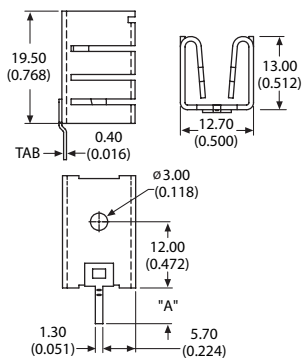


FIGURE B

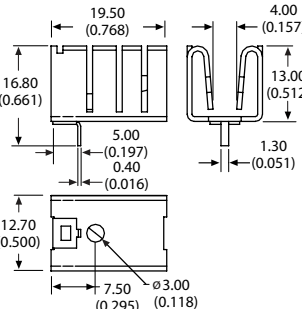
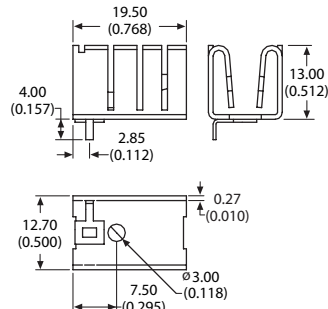


FIGURE C



Material: 0.71 (0.028) Thick Aluminum  
Finish: Pre-Black Anodize\*

#### ORDERING INFORMATION

| Part Number | Description   | Figure | Dim "A"      | Dia of PCB Plated Thru Hole for Tabs |
|-------------|---|--------|--------------|--------------------------------------|
| PF432G      | Plug in style heat sink with solderable tab, vertical mount | A      | 6.20 (0.244) | 1.60 (0.063)                         |
| PF433G      | With vertical mount no tab                                  | A      |              |                                      |
| PF434G      | With solderable tab, horizontal mount                       | B      |              | 1.60 (0.063)                         |
| PF435G      | With solderable tab, vertical mount                         | A      | 9.50 (0.374) | 1.60 (0.063)                         |
| PF436G      | With solderable tab offset from center, horizontal mount    | C      |              | 1.60 (0.063)                         |

\*Edges cut during the manufacturing process will be unfinished.  
See page 110 for more information

