

5747834-6 ✓ ACTIVE



## AMPLIMITE

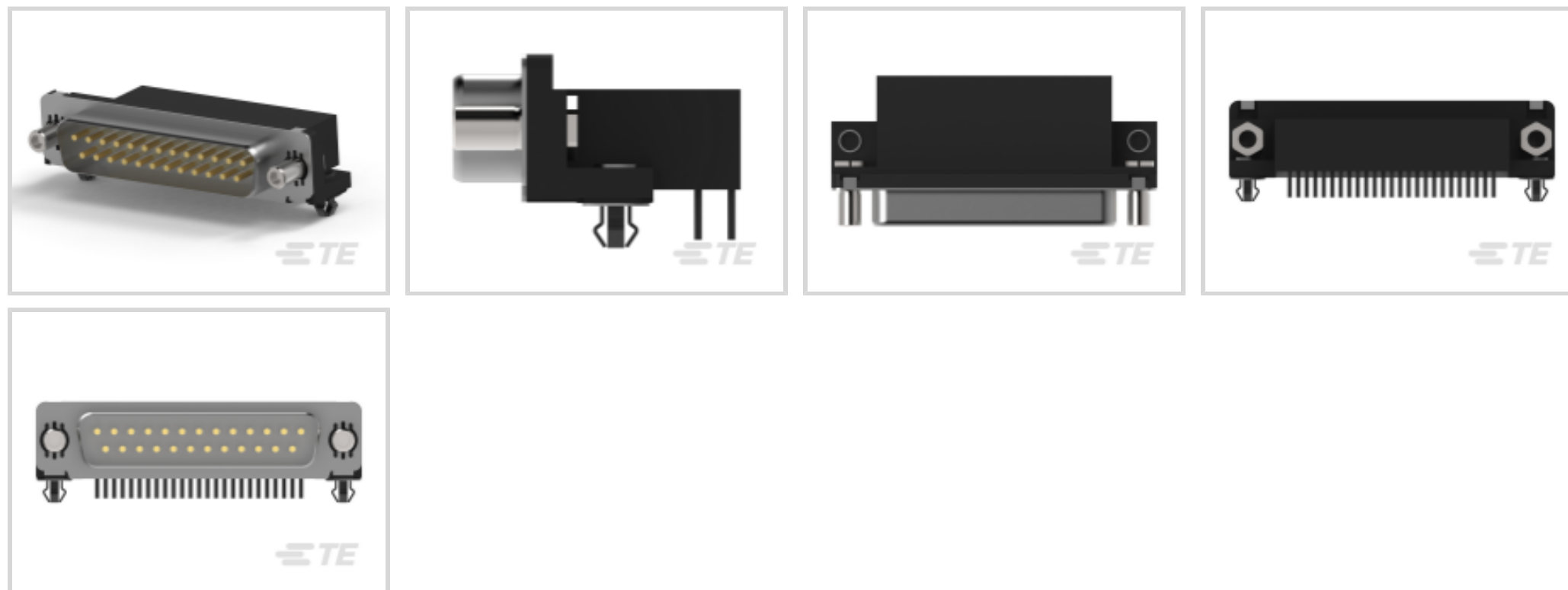
TE Internal #: 5747834-6

PCB D-Sub Connectors, Plug, Board-to-Board, 25 Position, .108 in [2.74 mm] Centerline, 2 Row, Size 3, Round, Standard Profile, Right Angle

[View on TE.com >](#)

[Connectors >](#) [D-Shaped Connectors >](#) [D-Sub Connectors >](#) [PCB D-Sub Connectors >](#)

D-Sub Plug Assembly: Standard, Right Angle, Shell Size 3, 2.74mm



Connector & Housing Type: **Plug**

Connector System: **Board-to-Board**

Number of Positions: **25**

Centerline (Pitch): **2.74 mm [ .108 in ]**

Number of Rows: **2**

[All D-Sub Plug Assembly: Standard, Right Angle, Shell Size 3, 2.74mm \(39\)](#)

## Features

### Product Type Features

Grounding Indents	With
Grounded	Yes
Grounding Straps	With
Footprint	14.99 mm[.59 in]
Shell Type	Front Metal Shell
Connector & Housing Type	Plug
Connector System	Board-to-Board
D-Sub Shell Size	3
Sealable	No
Connector & Contact Terminates To	Printed Circuit Board
Shielded	No
Product Type	Connector



### Configuration Features

Number of Positions	25
Number of Rows	2
PCB Mount Orientation	Right Angle
Preloaded	Yes

### Body Features

Eyelet Material	Brass
Eyelet Plating Material	Tin
Plastic	No
Insert Material	Zinc
Connector Profile	Standard
Shell Plating Material	Tin
Shell Material	Carbon Steel
Post Size	.66 mm [.026 in]

### Contact Features

Contact Mating Area Plating Material	Gold, Gold Flash
Contact Underplating Material	Nickel, Palladium Nickel
PCB Contact Termination Area Plating Material	Tin
Contact Base Material	Brass
Contact Shape & Form	Round
Contact Current Rating (Max)	6 A
	30 $\mu$ m

### Termination Features

Grounding Clips	Without
Termination Method to Printed Circuit Board	Through Hole - Solder
Termination Post Length	3.18 mm [.125 in]

### Mechanical Attachment

Threaded Insert Material	Zinc
Threaded Insert Plating Material	Clear Chromate
Panel Mount Feature	Without
PCB Mount Retention	With
PCB Mount Retention Type	Boardlock



Mating Retention	With
Mating Retention Type	Female Screwlocks, 4-40 UNC
Connector Mounting Type	Board Mount
Boardlock Plating Material	Tin
Boardlock Material	Copper Alloy
Mounting Hole Diameter	3.18 mm[.125 in]

### Housing Features

Centerline (Pitch)	2.74 mm[.108 in]
Housing Material	Nylon GF, Polyester GF
Housing Color	Black

### Dimensions

Row-to-Row Spacing	2.84 mm[.112 in]
PCB Thickness (Recommended)	1.57 mm[.062 in]

### Usage Conditions

Operating Temperature Range	-55 – 105 °C[-67 – 221 °F]
-----------------------------	----------------------------

### Operation/Application

Circuit Application	Signal
---------------------	--------

### Industry Standards

UL Flammability Rating	UL 94V-0
------------------------	----------

### Packaging Features

Packaging Method	Tube
Packaging Quantity	10

### Other

Comment	Plugs are preloaded with size 20 DF posted pin contacts
---------	---

### Product Compliance

[For compliance documentation, visit the product page on TE.com>](#)

EU RoHS Directive 2011/65/EU	Compliant
EU ELV Directive 2000/53/EC	Compliant
China RoHS 2 Directive MIIT Order No 32, 2016	No Restricted Materials Above Threshold
EU REACH Regulation (EC) No. 1907/2006	Current ECHA Candidate List: JAN 2022 (223)



Candidate List Declared Against: JUL 2021  
(219)  
SVHC > Threshold:  
Not Yet Reviewed

Halogen Content  
BFR/CFR/PVC Free, but Br/Cl >900 ppm in other sources.

Solder Process Capability  
Wave solder capable to 265°C

Product Compliance Disclaimer

This information is provided based on reasonable inquiry of our suppliers and represents our current actual knowledge based on the information they provided. This information is subject to change. The part numbers that TE has identified as EU RoHS compliant have a maximum concentration of 0.1% by weight in homogenous materials for lead, hexavalent chromium, mercury, PBB, PBDE, DBP, BBP, DEHP, DIBP, and 0.01% for cadmium, or qualify for an exemption to these limits as defined in the Annexes of Directive 2011/65/EU (RoHS2). Finished electrical and electronic equipment products will be CE marked as required by Directive 2011/65/EU. Components may not be CE marked. Additionally, the part numbers that TE has identified as EU ELV compliant have a maximum concentration of 0.1% by weight in homogenous materials for lead, hexavalent chromium, and mercury, and 0.01% for cadmium, or qualify for an exemption to these limits as defined in the Annexes of Directive 2000/53/EC (ELV). Regarding the REACH Regulation, the information TE provides on SVHC in articles for this part number is based on the latest European Chemicals Agency (ECHA) 'Guidance on requirements for substances in articles' posted at this URL: <https://echa.europa.eu/guidance-documents/guidance-on-reach>

### Compatible Parts



TE Part # CAT-AM7-248H5  
IDC D-Sub: Receptacle Assembly, Wire to Wire, Signal, 2.77 mm



TE Part # CAT-AM7-253  
IDC D-Sub: Receptacle Assembly, Low Profile, Signal, 2.77 mm



TE Part # CAT-AM7-248H6  
IDC D-Sub: Receptacle Kit, Wire to Wire, Signal, 2.74 mm



TE Part # 747548-8  
KIT,RCPT,25P,HDE,SHLD HDWRE

### Customers Also Bought



TE Part #6609036-5  
6VSK1=F7238 S0



TE Part #5499160-1  
A/L UNIV HDR 10P VERT SHT LAT



TE Part #T4030014041-000  
M8.MLE.PNLREAR.4POS.STR.



TE Part #1658527-3  
622-1030LF FEM SOCKT,LEAD FREE



TE Part #1-111446-5  
14 UNIV I/O, NO EARS, LEAD FREE



TE Part #5-103635-2  
03 MTE HDR SRRA LTCH.100CL LF



TE Part #2-1761608-5  
IDC LOW PRO HDR 14P VERT SHT L



TE Part #61314-4  
CMNL SOK 24-18 TPPHBZ



TE Part #2176088-2  
RP 1J 0.166W 768R 0.1% 25PPM 1K RL

## Documents

### Product Drawings

[25 MSFL PLUG RA 590 \(SL,FM,BL\)](#)

English

### CAD Files

Customer View Model

[ENG\\_CVM\\_CVM\\_5747834-6\\_C.2d\\_dxf.zip](#)

English

[3D PDF](#)

3D

Customer View Model

[ENG\\_CVM\\_CVM\\_5747834-6\\_C.3d\\_igs.zip](#)

English

Customer View Model

[ENG\\_CVM\\_CVM\\_5747834-6\\_C.3d\\_stp.zip](#)

English

By downloading the CAD file I accept and agree to the [Terms and Conditions](#) of use.

### Datasheets & Catalog Pages

[AMPLIMITE Subminiature D Connectors - Right-Angle Posted Connectors](#)

English

### Product Specifications

[Application Specification](#)

English

### Product Environmental Compliance

[TE Material Declaration](#)



English

---

**Instruction Sheets**

**Instruction Sheet (U.S.)**

English

---

**Agency Approvals**

**UL Report**

English