

557984-1 ✓ ACTIVE

CHAMP

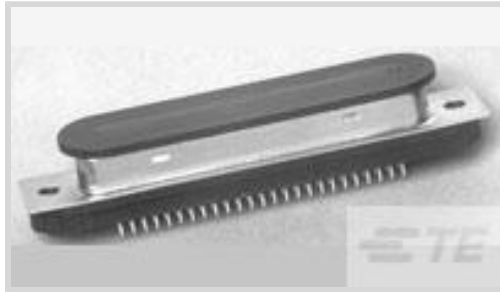
TE Internal #: 557984-1

PCB D-Sub Connectors, Receptacle, Cable-to-Board, 50 Position,
2.16 mm [.085 in] Centerline, 2 Row, Standard Profile, Vertical, PCB
Mount Retention

[View on TE.com >](#)



Connectors > D-Shaped Connectors > D-Sub Connectors > PCB D-Sub Connectors > D-Sub Recpt Assy Vert Action Pin, 2.16mm



Connector & Housing Type: **Receptacle**

Connector System: **Cable-to-Board**

Number of Positions: **50**

Centerline (Pitch): **2.16 mm [.085 in]**

Number of Rows: **2**

[All D-Sub Recpt Assy Vert Action Pin, 2.16mm \(10\)](#)

Features

Product Type Features

Grounded	No
Connector & Housing Type	Receptacle
Connector System	Cable-to-Board
Sealable	No
Connector & Contact Terminates To	Printed Circuit Board
Shielded	Yes
Product Type	Connector
Orientation	Standard

Configuration Features

Number of Positions	50
Number of Rows	2
PCB Mount Orientation	Vertical
Preloaded	Yes

Body Features

Shield Plating Finish	Bright
Connector Profile	Standard
Color	Natural



Shield Material	Carbon Steel
-----------------	--------------

Shield Plating Material	Nickel
-------------------------	--------

Contact Features

Contact Mating Area Plating Material	Gold
--------------------------------------	------

PCB Contact Termination Area Plating Material	Gold
---	------

Contact Base Material	Copper Alloy
-----------------------	--------------

Contact Current Rating (Max)	3 A
------------------------------	-----

	30 μ m
--	------------

Termination Features

Termination Method to Printed Circuit Board	Through Hole - Press-Fit
---	--------------------------

Termination Post Length	4.57 mm [.18 in]
-------------------------	------------------

Mechanical Attachment

Panel Attachment Style	Rear Mount
------------------------	------------

Panel Mount Feature	With
---------------------	------

PCB Mount Retention	With
---------------------	------

PCB Mount Retention Type	Action/Compliant Tail
--------------------------	-----------------------

Mating Retention	Without
------------------	---------

Connector Mounting Type	Board Mount
-------------------------	-------------

Screw Size	14702
------------	-------

Housing Features

Centerline (Pitch)	2.16 mm [.085 in]
--------------------	-------------------

Housing Material	Polyester
------------------	-----------

Housing Color	Black
---------------	-------

Dimensions

Row-to-Row Spacing	4.06 mm [.16 in]
--------------------	------------------

PCB Thickness (Recommended)	1.57 – 3.18 mm [.062 – .125 in]
-----------------------------	---------------------------------

Usage Conditions

Operating Temperature Range	-55 – 105 °C [-67 – 221 °F]
-----------------------------	-----------------------------

Operation/Application

Circuit Application	Signal
---------------------	--------

Industry Standards

UL Flammability Rating	UL 94V-0
------------------------	----------

Packaging Features

Packaging Method	Tray
Packaging Quantity	20

Product Compliance

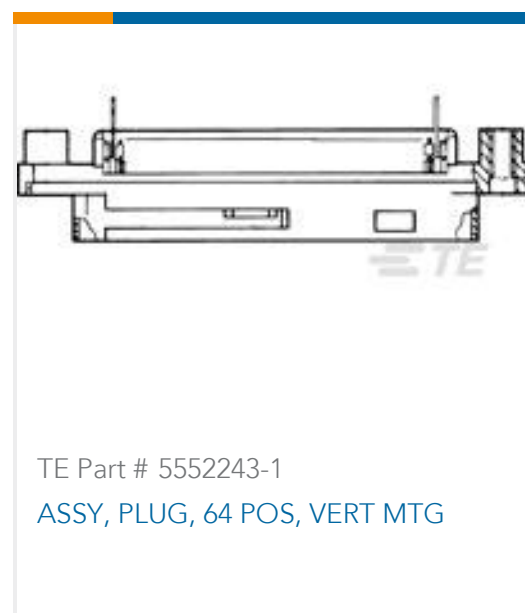
[For compliance documentation, visit the product page on TE.com>](#)

EU RoHS Directive 2011/65/EU	Compliant
EU ELV Directive 2000/53/EC	Compliant
China RoHS 2 Directive MIIT Order No 32, 2016	No Restricted Materials Above Threshold
EU REACH Regulation (EC) No. 1907/2006	Current ECHA Candidate List: JUNE 2022 (224) Candidate List Declared Against: JAN 2021 (211) SVHC > Threshold: Not Yet Reviewed
Halogen Content	Not Low Halogen - contains Br or Cl > 900 ppm.
Solder Process Capability	Not applicable for solder process capability

Product Compliance Disclaimer

This information is provided based on reasonable inquiry of our suppliers and represents our current actual knowledge based on the information they provided. This information is subject to change. The part numbers that TE has identified as EU RoHS compliant have a maximum concentration of 0.1% by weight in homogenous materials for lead, hexavalent chromium, mercury, PBB, PBDE, DBP, BBP, DEHP, DIBP, and 0.01% for cadmium, or qualify for an exemption to these limits as defined in the Annexes of Directive 2011/65/EU (RoHS2). Finished electrical and electronic equipment products will be CE marked as required by Directive 2011/65/EU. Components may not be CE marked. Additionally, the part numbers that TE has identified as EU ELV compliant have a maximum concentration of 0.1% by weight in homogenous materials for lead, hexavalent chromium, and mercury, and 0.01% for cadmium, or qualify for an exemption to these limits as defined in the Annexes of Directive 2000/53/EC (ELV). Regarding the REACH Regulation, the information TE provides on SVHC in articles for this part number is based on the latest European Chemicals Agency (ECHA) 'Guidance on requirements for substances in articles' posted at this URL: <https://echa.europa.eu/guidance-documents/guidance-on-reach>

Compatible Parts



Customers Also Bought



Documents

Product Drawings

[RCPT ASSY,50PO,SHLD,A/PIN,CHAM](#)

English

CAD Files

[3D PDF](#)

English

[Customer View Model](#)

[ENG_CVM_557984-1_D.2d_dxf.zip](#)

English

[Customer View Model](#)

[ENG_CVM_557984-1_D.3d_igs.zip](#)

English

[Customer View Model](#)

[ENG_CVM_557984-1_D.3d_stp.zip](#)

English

By downloading the CAD file I accept and agree to the [Terms and Conditions](#) of use.

Product Specifications

[Application Specification](#)

English

[Application Specification](#)

English

[CHAMP Action Pin Connectors](#)

English