

5552402-1 ✓ ACTIVE

CHAMP | CHAMP Docking Connectors

TE Internal #: 5552402-1

IDC D-Sub Connectors, Plug, 26 AWG / 27 AWG / 28 AWG
Stranded Wire, .14 mm² / .1 mm² / .09 mm² Stranded Wire,
Shielded, CHAMP Docking Connectors

[View on TE.com >](#)



Connectors > D-Shaped Connectors > D-Sub Connectors > IDC D-Sub Connectors > IDC D-Sub: Connector Kit, Plug, 2.16 mm



Connector & Housing Type: **Plug**

Stranded Wire Size: .09 mm², .1 mm², .14 mm²

Shielded: **Yes**

Connector System: **Cable-to-Cable**

[All IDC D-Sub: Connector Kit, Plug, 2.16 mm \(17\)](#)

Features

Product Type Features

Connector Classification	IDC
Profile	Standard
Slot Type Letter Code	E
Product Category	Connectors
Protective Cover	With
Connector & Housing Type	Plug
Connector System	Cable-to-Cable
Connector Product Type	Connector Kit
Sealable	No
Connector & Contact Terminates To	Wire & Cable

Configuration Features

Number of Positions	50
Number of Rows	2
Compatible With Wire & Cable Type	Discrete Wire, Round Jacketed Cable

Body Features

Color	Black
Cover Material	Thermoplastic



Contact Features

Contact Mating Area Plating Thickness	.76 μm[30 μin]
Contact Mating Area Plating Material	Gold or Gold Flash over Palladium Nickel
Contact Underplating Material	Palladium Nickel
Contact Base Material	Copper Alloy
Contact Current Rating (Max)	.5 A, 1 A

Mechanical Attachment

Mating Connector Lock	With
Mating Connector Lock Type	Screwlocks
Panel Mount Feature	Without
Screw & Hole Thread Size	4-40
Connector Mounting Type	Cable Mount (Free-Hanging)

Housing Features

Housing Material	Thermoplastic
Housing Color Dot Designation	Yellow
Housing Color	Black
Centerline (Pitch)	2.16 mm[.085 in]

Dimensions

Cable Outside Diameter	8.89 – 10.8 mm[.35 – .425 in]
Insulation Diameter (Max)	1.14 mm[.045 in]
Stranded Wire Size	.09 mm ² , .1 mm ² , .14 mm ²
Wire Size	26 AWG, 28 AWG

Usage Conditions

Operating Temperature Range	-40 – 75 °C[-40 – 167 °F]
-----------------------------	---------------------------

Operation/Application

Shielded	Yes
Circuit Application	Signal

Packaging Features

Packaging Method	Bag
Packaging Quantity	1

Product Compliance



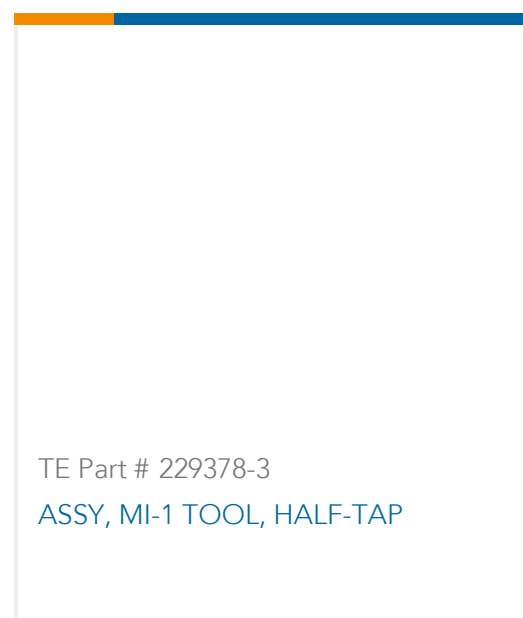
[For compliance documentation, visit the product page on TE.com>](#)

EU RoHS Directive 2011/65/EU	Compliant
EU ELV Directive 2000/53/EC	Compliant
China RoHS 2 Directive MIIT Order No 32, 2016	No Restricted Materials Above Threshold
EU REACH Regulation (EC) No. 1907/2006	Current ECHA Candidate List: JUNE 2022 (224) Candidate List Declared Against: JUNE 2022 (224) Does not contain REACH SVHC
Halogen Content	Not Low Halogen - contains Br or Cl > 900 ppm.
Solder Process Capability	Not applicable for solder process capability

Product Compliance Disclaimer

This information is provided based on reasonable inquiry of our suppliers and represents our current actual knowledge based on the information they provided. This information is subject to change. The part numbers that TE has identified as EU RoHS compliant have a maximum concentration of 0.1% by weight in homogenous materials for lead, hexavalent chromium, mercury, PBB, PBDE, DBP, BBP, DEHP, DIBP, and 0.01% for cadmium, or qualify for an exemption to these limits as defined in the Annexes of Directive 2011/65/EU (RoHS2). Finished electrical and electronic equipment products will be CE marked as required by Directive 2011/65/EU. Components may not be CE marked. Additionally, the part numbers that TE has identified as EU ELV compliant have a maximum concentration of 0.1% by weight in homogenous materials for lead, hexavalent chromium, and mercury, and 0.01% for cadmium, or qualify for an exemption to these limits as defined in the Annexes of Directive 2000/53/EC (ELV). Regarding the REACH Regulation, the information TE provides on SVHC in articles for this part number is based on the latest European Chemicals Agency (ECHA) 'Guidance on requirements for substances in articles' posted at this URL: <https://echa.europa.eu/guidance-documents/guidance-on-reach>

Compatible Parts



Also in the Series | [CHAMP Docking Connectors](#)



D-Sub Covers(28)



D-Sub Locking & Mounting(30)



Docking Connector Guide Hardware(5)



Docking Connectors(31)

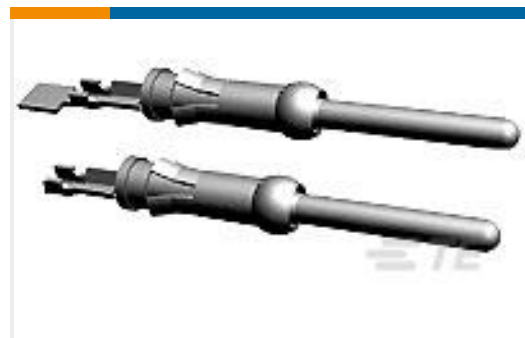


IDC D-Sub Connectors(80)

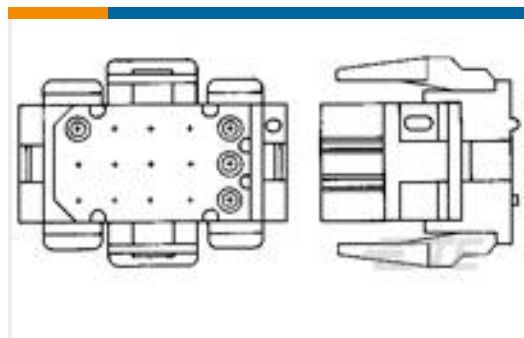


PCB D-Sub Connectors(1)

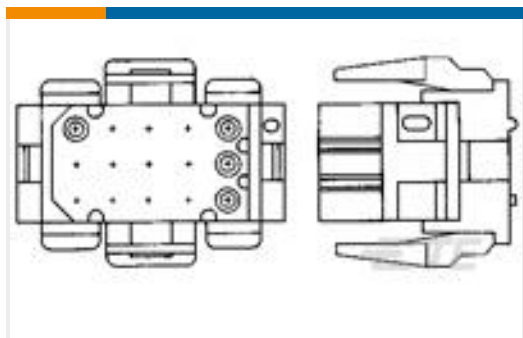
Customers Also Bought



TE Part #66332-8
III+ PIN, 24-20, 30AU/FL, STRIP



TE Part #1-640523-0
15P MR II PLUG HSG V0



TE Part #1-640526-0
36P MR II PLUG HSG V0



TE Part #485030-1
RING 18-14 AWG TPBR



TE Part #770007-1
UMNL II PIN PTPBR



TE Part #640716-1
09P UMNL STR/REL & INSRT



TE Part #2-36151-2
PIDG RING TONGUE TERMINALS



TE Part #2-6609107-2
PS000SS30=C1057



TE Part #1546671-6
6P .437" DR BARRIER, W/WIR CLMP

Documents



Product Drawings

KIT, PLUG, 50 POS, E SLOT

English

CAD Files

3D PDF

3D

Customer View Model

[ENG_CVM_CVM_5552402-1_O.2d_dxf.zip](#)

English

Customer View Model

[ENG_CVM_CVM_5552402-1_O.3d_igs.zip](#)

English

Customer View Model

[ENG_CVM_CVM_5552402-1_O.3d_stp.zip](#)

English

By downloading the CAD file I accept and agree to the [Terms and Conditions](#) of use.