

5552232-1 ✓ ACTIVE

CHAMP

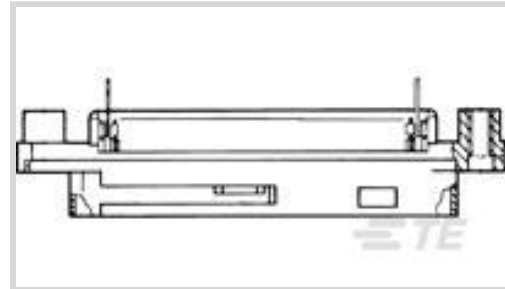
TE Internal #: 5552232-1

PCB D-Sub Connectors, Plug, Cable-to-Board, 36 Position, 2.16 mm [.085 in] Centerline, 2 Row, Standard Profile, Vertical, Mating Retention

[View on TE.com >](#)



Connectors > D-Shaped Connectors > D-Sub Connectors > PCB D-Sub Connectors > D-Sub Plug Assembly: Vertical, 2.16mm



Connector & Housing Type: **Plug**

Connector System: **Cable-to-Board**

Number of Positions: **36**

Centerline (Pitch): **2.16 mm [.085 in]**

Number of Rows: **2**

[All D-Sub Plug Assembly: Vertical, 2.16mm \(5\)](#)

Features

Product Type Features

Grounded	No
PC Board Material	Glass-Filled Polyester
Connector & Housing Type	Plug
Connector System	Cable-to-Board
Sealable	No
Connector & Contact Terminates To	Printed Circuit Board
Shielded	No
Product Type	Connector
Orientation	Standard

Configuration Features

Number of Positions	36
Number of Rows	2
PCB Mount Orientation	Vertical
Preloaded	Yes

Body Features

Bracket Material	Thermoplastic
Connector Profile	Standard



Color	Black
Plating Material	Thermoplastic

Contact Features

Contact Mating Area Plating Material	Gold, Gold Flash over Palladium Nickel
Contact Underplating Material	Palladium Nickel
PCB Contact Termination Area Plating Material	Tin
Contact Base Material	Phosphor Bronze
	30 μ m

Termination Features

Termination Method to Printed Circuit Board	Through Hole - Solder
Termination Post Length	.18 mm

Mechanical Attachment

Panel Mount Feature	Without
PCB Mount Retention	Without
Mating Retention	With
Mating Retention Type	Screwlocks
Connector Mounting Type	Board Mount

Housing Features

Centerline (Pitch)	2.16 mm [.085 in]
Housing Material	Thermoplastic
Housing Color	Black

Dimensions

Row-to-Row Spacing	4.3 mm [.169 in]
PCB Thickness (Recommended)	1.57 mm, 2.36 mm, 3.18 mm [.062 in] [.093 in] [.125 in]

Usage Conditions

Operating Temperature Range	-40 – 105 °C [-40 – 221 °F]
-----------------------------	-----------------------------

Operation/Application

Circuit Application	Signal
---------------------	--------

Industry Standards

UL Flammability Rating	UL 94V-0
------------------------	----------

Packaging Features



Packaging Method	Tray
Packaging Quantity	75

Other

Comb Material	Thermoplastic
---------------	---------------

Product Compliance

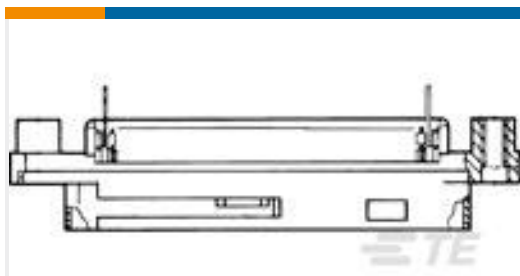
[For compliance documentation, visit the product page on TE.com>](#)

EU RoHS Directive 2011/65/EU	Not Yet Reviewed
EU ELV Directive 2000/53/EC	Compliant
China RoHS 2 Directive MIIT Order No 32, 2016	No Restricted Materials Above Threshold
EU REACH Regulation (EC) No. 1907/2006	Current ECHA Candidate List: JUNE 2022 (224) Candidate List Declared Against: DEC 2012 (138) SVHC > Threshold: Not Yet Reviewed
Halogen Content	Not Yet Reviewed for halogen content
Solder Process Capability	Wave solder capable to 265°C

Product Compliance Disclaimer

This information is provided based on reasonable inquiry of our suppliers and represents our current actual knowledge based on the information they provided. This information is subject to change. The part numbers that TE has identified as EU RoHS compliant have a maximum concentration of 0.1% by weight in homogenous materials for lead, hexavalent chromium, mercury, PBB, PBDE, DBP, BBP, DEHP, DIBP, and 0.01% for cadmium, or qualify for an exemption to these limits as defined in the Annexes of Directive 2011/65/EU (RoHS2). Finished electrical and electronic equipment products will be CE marked as required by Directive 2011/65/EU. Components may not be CE marked. Additionally, the part numbers that TE has identified as EU ELV compliant have a maximum concentration of 0.1% by weight in homogenous materials for lead, hexavalent chromium, and mercury, and 0.01% for cadmium, or qualify for an exemption to these limits as defined in the Annexes of Directive 2000/53/EC (ELV). Regarding the REACH Regulations, TE's information on SVHC in articles for this part number is still based on the European Chemical Agency (ECHA) 'Guidance on requirements for substances in articles' (Version: 2, April 2011), applying the 0.1% weight on weight concentration threshold at the finished product level. TE is aware of the European Court of Justice ruling of September 10th, 2015 also known as O5A (Once An Article Always An Article) stating that, in case of 'complex object', the threshold for a SVHC must be applied to both the product as a whole and simultaneously to each of the articles forming part of its composition. TE has evaluated this ruling based on the new ECHA "Guidance on requirements for substances in articles" (June 2017, version 4.0) and will be updating its statements accordingly.

Compatible Parts



TE Part # 5552243-1
ASSY, PLUG, 64 POS, VERT MTG

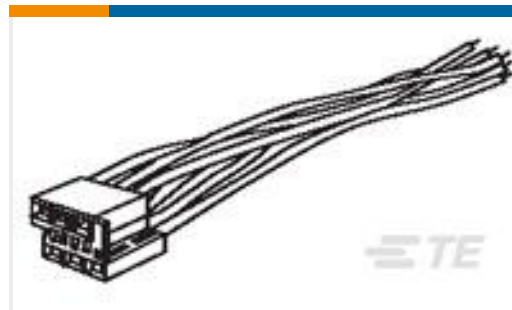
Customers Also Bought



TE Part #1-5102156-0
A/L UNIV HDR 50P VERT



TE Part #102185-2
UNIVERSAL HEADER LATCH



TE Part #1609139-1
MA100 PEM CONNECTOR=F6900



TE Part #770872-2
02P MINI UMNL HDR ASSY VO AU



TE Part #4-2176347-5
CRGCQ 2010 47K 1%



TE Part #4-2176349-8
CRGCQ 2512 82K 1%



TE Part #A77997-000
WP-508318-2.5-9

Documents

Product Drawings

ASSY, PLUG, 36 POS, VERT MTG

English

CAD Files

3D PDF

English

Customer View Model

[ENG_CVM_5552232-1_O.2d_dxf.zip](#)

English

Customer View Model

[ENG_CVM_5552232-1_O.3d_igs.zip](#)

English

Customer View Model

[ENG_CVM_5552232-1_O.3d_stp.zip](#)

English

By downloading the CAD file I accept and agree to the [Terms and Conditions](#) of use.

5552232-1

PCB D-Sub Connectors, Plug, Cable-to-Board, 36 Position, 2.16 mm [.085 in]
Centerline, 2 Row, Standard Profile, Vertical, Mating Retention



Product Environmental Compliance

TE Material Declaration

English