

554953-2 ✓ ACTIVE

CHAMP | CHAMP Docking Connectors

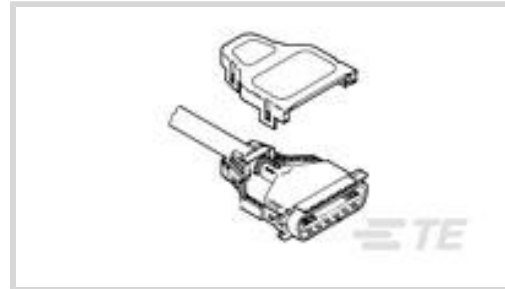
TE Internal #: 554953-2

IDC D-Sub Connectors, Plug, 26 – 24 AWG Solid Wire Size, .13 – .32 mm<sup>2</sup> Solid Wire Size, 24 AWG Stranded Wire, CHAMP Docking Connectors

[View on TE.com >](#)



Connectors > D-Shaped Connectors > D-Sub Connectors > IDC D-Sub Connectors > IDC D-Sub: Connector Kit, Plug, 2.16 mm



Connector & Housing Type: **Plug**

Solid Wire Size: **.13 – .32 mm<sup>2</sup>**

Stranded Wire Size: **.33 mm<sup>2</sup>**

[All IDC D-Sub: Connector Kit, Plug, 2.16 mm \(17\)](#)

## Features

### Product Type Features

Connector Classification	IDC
Profile	Standard
Slot Type Letter Code	B
Product Category	Connectors
Protective Cover	Without
Connector & Housing Type	Plug
Connector System	Cable-to-Cable
Connector Product Type	Connector Kit
Sealable	No
Connector & Contact Terminates To	Wire & Cable

### Configuration Features

Number of Positions	50
Number of Rows	2
Compatible With Wire & Cable Type	Discrete Wire, Round Jacketed Cable

### Body Features

Shield Material	Carbon Steel
Shield Plating Finish	Bright
Color	Black

Cable Exit Angle	180°
------------------	------

Shield Plating Material	Nickel
-------------------------	--------

### Contact Features

	30 μin
--	--------

Contact Mating Area Plating Material	Gold, Gold Flash, Gold Flash over Palladium Nickel
--------------------------------------	--

Contact Underplating Material	Palladium Nickel
-------------------------------	------------------

Contact Base Material	Copper Alloy
-----------------------	--------------

Contact Current Rating (Max)	3.5 A
------------------------------	-------

### Mechanical Attachment

Mating Connector Lock	With
-----------------------	------

Mating Connector Lock Type	Bail Lock
----------------------------	-----------

Panel Mount Feature	Without
---------------------	---------

Connector Mounting Type	Cable Mount (Free-Hanging)
-------------------------	----------------------------

### Housing Features

Housing Material	Polyphenylene Oxide
------------------	---------------------

Housing Color Dot Designation	Blue
-------------------------------	------

Housing Color	Black
---------------	-------

Centerline (Pitch)	2.16 mm [.085 in]
--------------------	-------------------

### Dimensions

Insulation Diameter (Max)	1.14 mm
---------------------------	---------

Cable Outside Diameter	8.89 – 15.88 mm [.35 – .625 in]
------------------------	---------------------------------

Cable Insulation Diameter Range	1.14 mm
---------------------------------	---------

Accepts Cable Diameter (Max)	15.88 mm
------------------------------	----------

Accepts Wire Insulation Diameter Range	1.14 mm
--	---------

Solid Wire Size	.13 – .32 mm <sup>2</sup>
-----------------	---------------------------

Stranded Wire Size	.33 mm <sup>2</sup>
--------------------	---------------------

Wire Size	26 – 24 AWG
-----------	-------------

### Usage Conditions

Operating Temperature Range	-40 – 75 °C [-40 – 167 °F]
-----------------------------	----------------------------

### Operation/Application

Shielded	Yes
----------	-----



Circuit Application

Signal

**Packaging Features**

Packaging Method	Bag
Packaging Quantity	1

**Product Compliance**

[For compliance documentation, visit the product page on TE.com>](#)

EU RoHS Directive 2011/65/EU	Compliant
EU ELV Directive 2000/53/EC	Compliant
China RoHS 2 Directive MIIT Order No 32, 2016	No Restricted Materials Above Threshold
EU REACH Regulation (EC) No. 1907/2006	Current ECHA Candidate List: JUNE 2022 (224) Candidate List Declared Against: JUNE 2022 (224) Does not contain REACH SVHC
Halogen Content	Low Bromine/Chlorine - Br and Cl < 900 ppm per homogenous material. Also BFR /CFR/PVC Free
Solder Process Capability	Not applicable for solder process capability

Product Compliance Disclaimer

This information is provided based on reasonable inquiry of our suppliers and represents our current actual knowledge based on the information they provided. This information is subject to change. The part numbers that TE has identified as EU RoHS compliant have a maximum concentration of 0.1% by weight in homogenous materials for lead, hexavalent chromium, mercury, PBB, PBDE, DBP, BBP, DEHP, DIBP, and 0.01% for cadmium, or qualify for an exemption to these limits as defined in the Annexes of Directive 2011/65/EU (RoHS2). Finished electrical and electronic equipment products will be CE marked as required by Directive 2011/65/EU. Components may not be CE marked. Additionally, the part numbers that TE has identified as EU ELV compliant have a maximum concentration of 0.1% by weight in homogenous materials for lead, hexavalent chromium, and mercury, and 0.01% for cadmium, or qualify for an exemption to these limits as defined in the Annexes of Directive 2000/53/EC (ELV). Regarding the REACH Regulation, the information TE provides on SVHC in articles for this part number is based on the latest European Chemicals Agency (ECHA) 'Guidance on requirements for substances in articles' posted at this URL: <https://echa.europa.eu/guidance-documents/guidance-on-reach>

**Compatible Parts**




TE Part # 229378-1  
ASSY, MI-1 TOOL,STD 14-50 POSN



TE Part # 229384-1  
TOOL, INSERTION, HAND, T-GRIP



TE Part # 230238-1  
EXTRACTOR



TE Part # 229378-3  
ASSY, MI-1 TOOL, HALF-TAP

## Also in the Series | CHAMP Docking Connectors



D-Sub Covers(28)



D-Sub Locking &amp; Mounting(30)



Docking Connector Guide Hardware(5)



Docking Connectors(31)

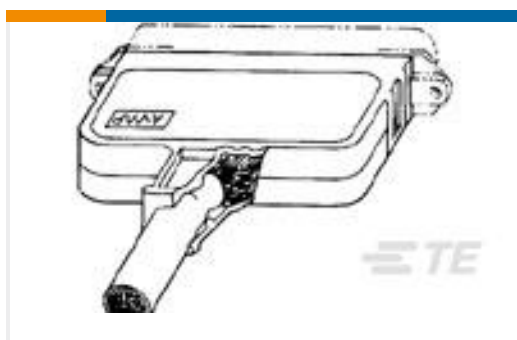


IDC D-Sub Connectors(80)



PCB D-Sub Connectors(1)

## Customers Also Bought

TE Part #552032-1  
ASSY, PLUG, 50 POS, B SLOTTE Part #5554216-3  
RCPT ASSY, 50 POS, VERT MTG, SHLDTE Part #552008-1  
KIT, COVER, 180, 50 POS

## Documents

### Product Drawings

[PLUG KIT, 50 POSN, BAIL LK, SHLD](#)

English

### CAD Files

[3D PDF](#)

3D

Customer View Model

[ENG\\_CVM\\_CVM\\_554953-2\\_C.2d\\_dxf.zip](#)

English

Customer View Model

[ENG\\_CVM\\_CVM\\_554953-2\\_C.3d\\_igs.zip](#)

English

Customer View Model

[ENG\\_CVM\\_CVM\\_554953-2\\_C.3d\\_stp.zip](#)



English

By downloading the CAD file I accept and agree to the [Terms and Conditions](#) of use.

### Product Specifications

[Application Specification](#)

English

### Product Environmental Compliance

[TE Material Declaration](#)

English

### Instruction Sheets

[Instruction Sheet \(U.S.\)](#)

English

[AMP\\* SHIELDED CHAMP\\* 180 DEG CONNECTOR KITS AND COVER KITS](#)

English

### Agency Approvals

[CSA Certificate](#)

English