

553602-1 ✓ ACTIVE

CHAMP | CHAMP Docking Connectors

TE Internal #: 553602-1

CHAMP Docking Connectors, IDC D-Sub Connectors, Plug, 30 – 26

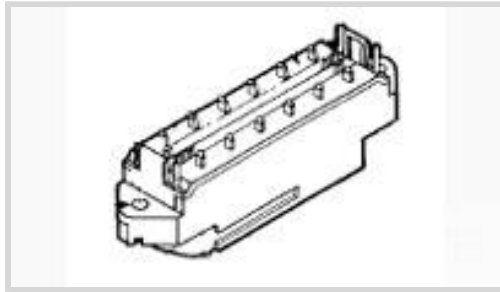
AWG Solid Wire Size, .05 – .13 mm² Solid Wire Size, 28 AWG

Stranded Wire

[View on TE.com >](#)



Connectors > D-Shaped Connectors > D-Sub Connectors > IDC D-Sub Connectors > IDC D-Sub: Plug Assembly, Signal, Cable to Cable, 2.16 mm



Connector & Housing Type: **Plug**

Solid Wire Size: **.05 – .13 mm²**

Stranded Wire Size: **.08 mm²**

[All IDC D-Sub: Plug Assembly, Signal, Cable to Cable, 2.16 mm \(26\)](#)

Features

Product Type Features

Connector Classification	IDC
Profile	Low
Product Category	Connectors
Connector & Housing Type	Plug
Connector System	Cable-to-Cable
Connector Product Type	Connector Assembly
Sealable	No
Connector & Contact Terminates To	Wire & Cable

Configuration Features

Number of Positions	50
Number of Rows	2
Compatible With Wire & Cable Type	Ribbon Cable

Body Features

Color	Black
Ribbon Cable Centerline Spacing	1.27 mm[.05 in]
Cover Material	Thermoplastic

Contact Features

	30 μin
--	--------



Contact Mating Area Plating Material	Gold, Gold Flash
Contact Underplating Material	Nickel, Palladium Nickel
PCB Contact Termination Area Plating Material	Gold Flash
Contact Base Material	Phosphor Bronze
Contact Current Rating (Max)	1 A

Mechanical Attachment

Flange Thickness	Thick
Mating Connector Lock	With
Mating Connector Lock Type	Screwlocks
Panel Mount Feature	Without
Connector Mounting Type	Cable Mount (Free-Hanging)

Housing Features

Housing Material	Thermoplastic
Centerline (Pitch)	2.16 mm[.085 in]

Dimensions

Solid Wire Size	.05 – .13 mm ²
Stranded Wire Size	.08 mm ²
Wire Size	30 – 26 AWG

Usage Conditions

Operating Temperature Range	-40 – 75 °C[-40 – 167 °F]
-----------------------------	---------------------------

Operation/Application

Shielded	No
Circuit Application	Signal

Packaging Features

Packaging Method	Box & Tray, Package
Packaging Quantity	100

Product Compliance

[For compliance documentation, visit the product page on TE.com>](#)

EU RoHS Directive 2011/65/EU	Compliant
EU ELV Directive 2000/53/EC	Compliant
China RoHS 2 Directive MIIT Order No 32, 2016	No Restricted Materials Above Threshold



EU REACH Regulation (EC) No. 1907/2006

Current ECHA Candidate List: JAN 2022 (223)

Candidate List Declared Against: JAN 2022 (223)

Does not contain REACH SVHC

Halogen Content

Not Low Halogen - contains Br or Cl > 900 ppm.

Solder Process Capability

Not applicable for solder process capability

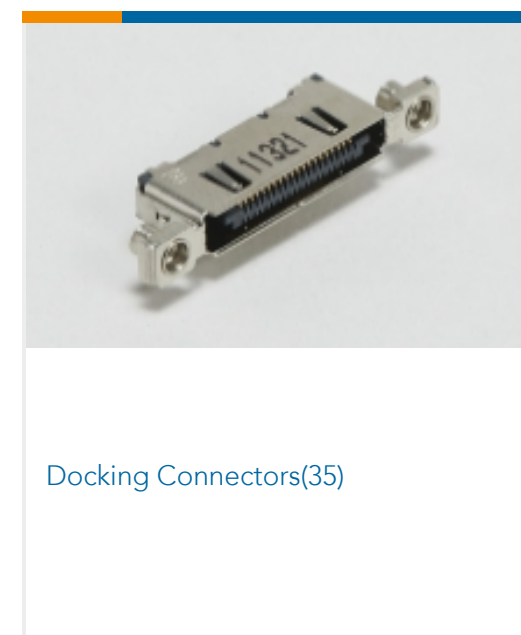
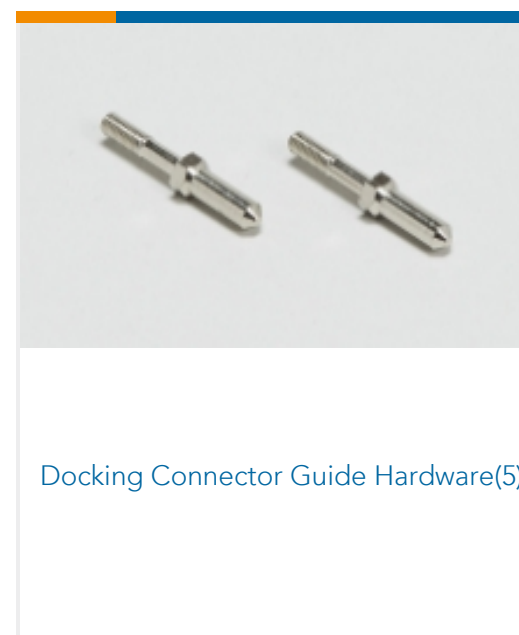
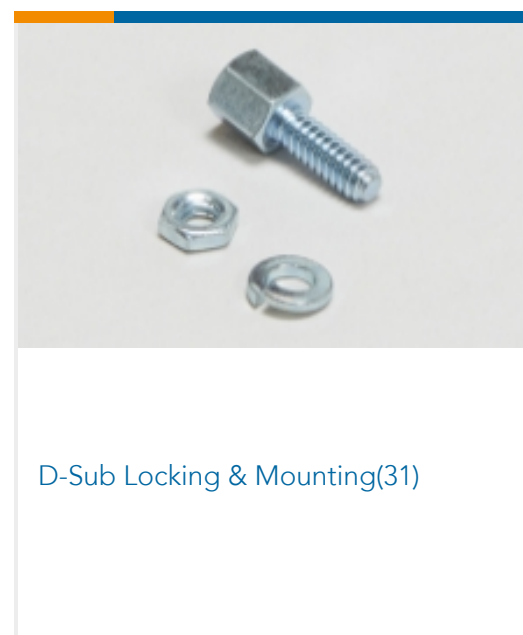
Product Compliance Disclaimer

This information is provided based on reasonable inquiry of our suppliers and represents our current actual knowledge based on the information they provided. This information is subject to change. The part numbers that TE has identified as EU RoHS compliant have a maximum concentration of 0.1% by weight in homogenous materials for lead, hexavalent chromium, mercury, PBB, PBDE, DBP, BBP, DEHP, DIBP, and 0.01% for cadmium, or qualify for an exemption to these limits as defined in the Annexes of Directive 2011/65/EU (RoHS2). Finished electrical and electronic equipment products will be CE marked as required by Directive 2011/65/EU. Components may not be CE marked. Additionally, the part numbers that TE has identified as EU ELV compliant have a maximum concentration of 0.1% by weight in homogenous materials for lead, hexavalent chromium, and mercury, and 0.01% for cadmium, or qualify for an exemption to these limits as defined in the Annexes of Directive 2000/53/EC (ELV). Regarding the REACH Regulation, the information TE provides on SVHC in articles for this part number is based on the latest European Chemicals Agency (ECHA) 'Guidance on requirements for substances in articles' posted at this URL: <https://echa.europa.eu/guidance-documents/guidance-on-reach>

Compatible Parts



Also in the Series | CHAMP Docking Connectors



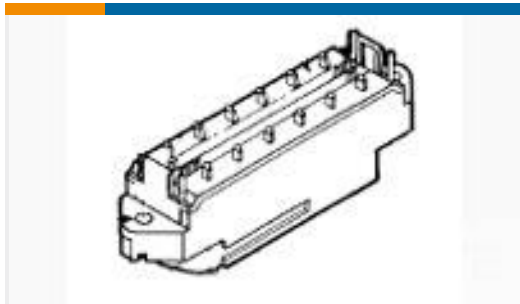


IDC D-Sub Connectors(83)



PCB D-Sub Connectors(1)

Customers Also Bought



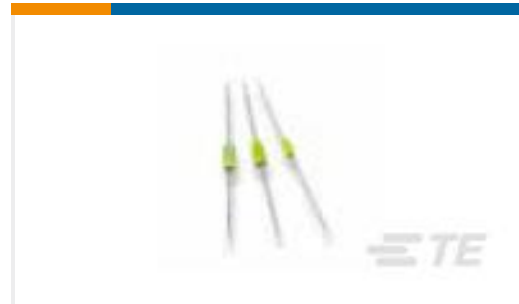
TE Part #553600-1
PLUG ASSY,36 POSN,SCR LK,L PF



TE Part #1-1623729-4
BCHE 17 W 2K2 5%



TE Part #1-1658622-0
50 NOVO MIL/CTR 30DP,LEAD FREE



TE Part #1624018-1
SC30-10-2518-10 2.7UH AMMO 1000



TE Part #A66551-000
RNF-100-MINI-SPL-1/16-BK



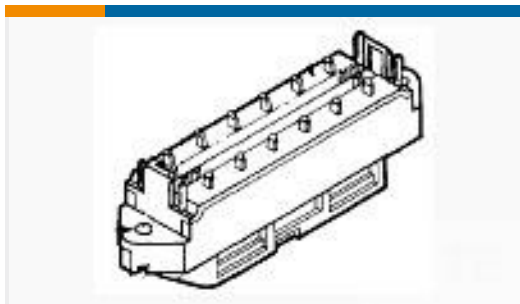
TE Part #E77288-000
RNF-100-MINI-SPL-3/16-BK



TE Part #D42391-000
RNF-100-MINI-SPL-3/32-BK



TE Part #1-175218-3
DYNAMIC D-3 REC CONT. L AU 0.76 L /P



TE Part #554089-1
RCPT ASSY,36 POS,PANEL MTG,LPF

Documents

Product Drawings

[PLUG ASSY,50 POSN,SCR LK,L PF](#)

English

CAD Files

[3D PDF](#)

English

Customer View Model

[ENG_CVM_553602-1_F.2d_dxf.zip](#)



English

Customer View Model

[ENG_CVM_553602-1_F.3d_igs.zip](#)

English

Customer View Model

[ENG_CVM_553602-1_F.3d_stp.zip](#)

English

By downloading the CAD file I accept and agree to the [Terms and Conditions](#) of use.

Product Specifications

Application Specification

English

[CHAMP Latch Low Profile Connectors For Ribbon Cable](#)

English

Product Environmental Compliance

TE Material Declaration

English

Agency Approvals

CSA Certificate

English