

552276-1 ✓ ACTIVE

CHAMP | CHAMP Docking Connectors

TE Internal #: 552276-1

IDC D-Sub Connectors, Plug, 26 – 24 AWG Solid Wire Size, .13 – .32 mm² Solid Wire Size, 24 AWG Stranded Wire, CHAMP Docking Connectors

[View on TE.com >](#)



Connectors > D-Shaped Connectors > D-Sub Connectors > IDC D-Sub Connectors > IDC D-Sub: Plug Assembly, 2.16 mm



Connector & Housing Type: **Plug**

Solid Wire Size: **.13 – .32 mm²**

Stranded Wire Size: **.33 mm²**

[All IDC D-Sub: Plug Assembly, 2.16 mm \(26\)](#)

Features

Product Type Features

| | |
|-----------------------------------|--------------------|
| Connector Classification | IDC |
| Profile | Standard |
| Slot Type Letter Code | B |
| Product Category | Connectors |
| Connector & Housing Type | Plug |
| Connector System | Cable-to-Cable |
| Connector Product Type | Connector Assembly |
| Sealable | No |
| Connector & Contact Terminates To | Wire & Cable |

Configuration Features

| | |
|-----------------------------------|-------------------------------------|
| Number of Positions | 64 |
| Number of Rows | 2 |
| Compatible With Wire & Cable Type | Discrete Wire, Round Jacketed Cable |

Contact Features

| | |
|---------------------------------------|--|
| Contact Mating Area Plating Thickness | .76 µm[30 µin] |
| Contact Mating Area Plating Material | Gold, Gold Flash, Gold Flash over Palladium Nickel |
| Contact Underplating Material | Palladium Nickel |
| Contact Base Material | Copper Alloy |



| | |
|------------------------------|-------|
| Contact Current Rating (Max) | 3.5 A |
|------------------------------|-------|

Mechanical Attachment

| | |
|------------------|-------|
| Flange Thickness | Thick |
|------------------|-------|

| | |
|-----------------------|------|
| Mating Connector Lock | With |
|-----------------------|------|

| | |
|----------------------------|------------|
| Mating Connector Lock Type | Screwlocks |
|----------------------------|------------|

| | |
|---------------------|---------|
| Panel Mount Feature | Without |
|---------------------|---------|

| | |
|-------------------------|----------------------------|
| Connector Mounting Type | Cable Mount (Free-Hanging) |
|-------------------------|----------------------------|

Housing Features

| | |
|------------------|---------------|
| Housing Material | Thermoplastic |
|------------------|---------------|

| | |
|-------------------------------|------|
| Housing Color Dot Designation | Blue |
|-------------------------------|------|

| | |
|---------------|-------|
| Housing Color | Black |
|---------------|-------|

| | |
|--------------------|-------------------|
| Centerline (Pitch) | 2.16 mm [.085 in] |
|--------------------|-------------------|

Dimensions

| | |
|---------------------------|-------------------|
| Insulation Diameter (Max) | 1.14 mm [.045 in] |
|---------------------------|-------------------|

| | |
|-----------------|---------------------------|
| Solid Wire Size | .13 – .32 mm ² |
|-----------------|---------------------------|

| | |
|--------------------|---------------------|
| Stranded Wire Size | .33 mm ² |
|--------------------|---------------------|

| | |
|-----------|-------------|
| Wire Size | 26 – 24 AWG |
|-----------|-------------|

Usage Conditions

| | |
|-----------------------------|----------------------------|
| Operating Temperature Range | -40 – 75 °C [-40 – 167 °F] |
|-----------------------------|----------------------------|

Operation/Application

| | |
|----------|----|
| Shielded | No |
|----------|----|

| | |
|---------------------|--------|
| Circuit Application | Signal |
|---------------------|--------|

Packaging Features

| | |
|------------------|---------------------|
| Packaging Method | Box & Tray, Package |
|------------------|---------------------|

| | |
|--------------------|-----|
| Packaging Quantity | 100 |
|--------------------|-----|

Product Compliance

[For compliance documentation, visit the product page on TE.com>](#)

| | |
|------------------------------|-----------|
| EU RoHS Directive 2011/65/EU | Compliant |
|------------------------------|-----------|

| | |
|-----------------------------|-----------|
| EU ELV Directive 2000/53/EC | Compliant |
|-----------------------------|-----------|

| | |
|---|---|
| China RoHS 2 Directive MIIT Order No 32, 2016 | No Restricted Materials Above Threshold |
|---|---|

| | |
|--|--|
| EU REACH Regulation (EC) No. 1907/2006 | |
|--|--|

Current ECHA Candidate List: JUNE 2022 (224)

Candidate List Declared Against: JUNE 2022 (224)

Does not contain REACH SVHC

Halogen Content

Low Bromine/Chlorine - Br and Cl < 900 ppm per homogenous material. Also BFR /CFR/PVC Free

Solder Process Capability

Not applicable for solder process capability

Product Compliance Disclaimer

This information is provided based on reasonable inquiry of our suppliers and represents our current actual knowledge based on the information they provided. This information is subject to change. The part numbers that TE has identified as EU RoHS compliant have a maximum concentration of 0.1% by weight in homogenous materials for lead, hexavalent chromium, mercury, PBB, PBDE, DBP, BBP, DEHP, DIBP, and 0.01% for cadmium, or qualify for an exemption to these limits as defined in the Annexes of Directive 2011/65/EU (RoHS2). Finished electrical and electronic equipment products will be CE marked as required by Directive 2011/65/EU. Components may not be CE marked. Additionally, the part numbers that TE has identified as EU ELV compliant have a maximum concentration of 0.1% by weight in homogenous materials for lead, hexavalent chromium, and mercury, and 0.01% for cadmium, or qualify for an exemption to these limits as defined in the Annexes of Directive 2000/53/EC (ELV). Regarding the REACH Regulation, the information TE provides on SVHC in articles for this part number is based on the latest European Chemicals Agency (ECHA) 'Guidance on requirements for substances in articles' posted at this URL: <https://echa.europa.eu/guidance-documents/guidance-on-reach>

Compatible Parts



Also in the Series | **CHAMP Docking Connectors**



D-Sub Covers(28)



D-Sub Locking & Mounting(30)



Docking Connector Guide Hardware(5)



Docking Connectors(31)



IDC D-Sub Connectors(80)

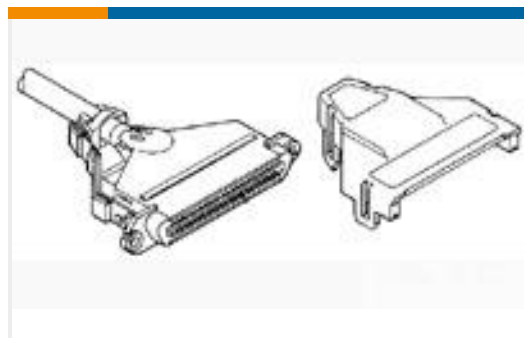


PCB D-Sub Connectors(1)

Customers Also Bought



TE Part #5552382-1
KIT, PLUG, 50 POS, C SLOT



TE Part #554944-1
COVER KIT, 180 DEG, 24 POS, SHLD



TE Part #1027-009-1200
METAL CLIP, 13MM HOLE SIDE MTG, BRACKET



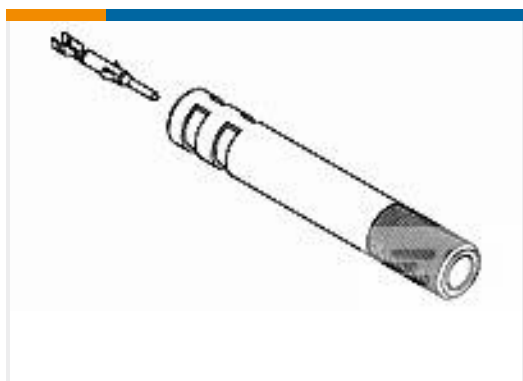
TE Part #HD34-24-31ST-059
REC, 31P, AL, T, CBL CLMP BT, DRAIN, 16, S, MC



TE Part #2141265-4
COVER, SEAL



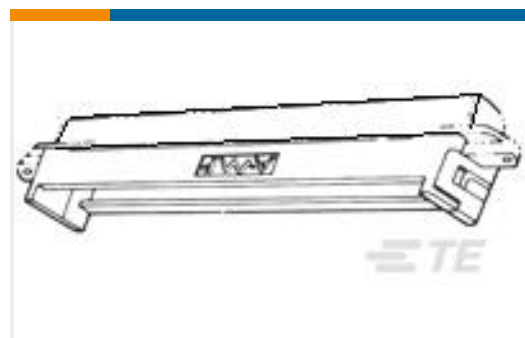
TE Part #521207-3
HSG POSI-LOCK MARK III



TE Part #867156-1
COMMERCIAL RECEPTACLE KIT



TE Part #DTV18S-BT-BK
BOOT, 18P, PLG, ST, BLK



TE Part #1-552296-1
STRAIN RELIEF 64 POS BLACK

Documents



Product Drawings

ASSY, PLUG, 64 POS, B SLOT

English

CAD Files

Customer View Model

[ENG_CVM_552276-1_H.3d_igs.zip](#)

English

Customer View Model

[ENG_CVM_552276-1_H.3d_stp.zip](#)

English

Customer View Model

[ENG_CVM_552276-1_H.2d_dxf.zip](#)

English

3D PDF

English

By downloading the CAD file I accept and agree to the [Terms and Conditions](#) of use.

Product Specifications

Application Specification

English

Agency Approvals

UL Report

English

UL Report

English