

Visualisation; Diagnostics

Easy to Configure

Programming IEC 61131-3

Rapid Installation

## PSEN cs5.1p

► PSEN sensor technology

**PILZ**  
THE SPIRIT OF SAFETY

This document is a translation of the original document.

All rights to this documentation are reserved by Pilz GmbH & Co. KG. Copies may be made for internal purposes. Suggestions and comments for improving this documentation will be gratefully received.

Source code from third-party manufacturers or open source software has been used for some components. The relevant licence information is available on the Internet on the Pilz homepage.

Pilz®, PIT®, PMI®, PNOZ®, Primo®, PSEN®, PSS®, PVIS®, SafetyBUS p®, SafetyEYE®, SafetyNET p®, the spirit of safety® are registered and protected trademarks of Pilz GmbH & Co. KG in some countries.



SD means Secure Digital

<b>Introduction</b>	<b>5</b>
Validity of documentation	5
Using the documentation	5
Definition of symbols	5
<b>Safety</b>	<b>6</b>
Intended use	6
Safety regulations	7
Safety assessment	7
Additional documents that apply	7
Use of qualified personnel	7
Warranty and liability	8
Disposal	8
For your safety	8
<b>Unit features</b>	<b>8</b>
<b>Function description</b>	<b>9</b>
Safety Device Diagnostics	10
Operating distances	11
Lateral and vertical offset	13
<b>Wiring</b>	<b>17</b>
<b>Connection to evaluation devices</b>	<b>18</b>
Single connection	18
Series connection	20
Connection to Pilz evaluation devices	23
<b>Teaching in the actuator</b>	<b>24</b>
<b>Installation</b>	<b>24</b>
Use in operating heights higher than 2000 m above sea level	28
<b>Adjustment</b>	<b>28</b>
<b>Operation</b>	<b>28</b>
Normal mode	28
Error display	29
<b>Dimensions in mm</b>	<b>30</b>
<b>Technical details</b>	<b>31</b>
Safety characteristic data	34
<b>Supplementary data</b>	<b>34</b>
Radio approval	34

<b>Order reference</b>	<b>35</b>
System	35
Accessories	35
<b>EC declaration of conformity</b>	<b>36</b>

## Introduction

### Validity of documentation

This documentation is valid for the product PSEN cs5.1p from Version 2.0.

This operating manual explains the function and operation, describes the installation and provides guidelines on how to connect the product.

### Using the documentation

This document is intended for instruction. Only install and commission the product if you have read and understood this document. The document should be retained for future reference.

### Definition of symbols

Information that is particularly important is identified as follows:



#### **DANGER!**

This warning must be heeded! It warns of a hazardous situation that poses an immediate threat of serious injury and death and indicates preventive measures that can be taken.



#### **WARNING!**

This warning must be heeded! It warns of a hazardous situation that could lead to serious injury and death and indicates preventive measures that can be taken.



#### **CAUTION!**

This refers to a hazard that can lead to a less serious or minor injury plus material damage, and also provides information on preventive measures that can be taken.



#### **NOTICE**

This describes a situation in which the product or devices could be damaged and also provides information on preventive measures that can be taken. It also highlights areas within the text that are of particular importance.

**INFORMATION**

This gives advice on applications and provides information on special features.

**Safety****Intended use**

The safety functions of the safety switch are:

- ▶ Safe shutdown of safety outputs when the actuator is removed beyond the assured release distance  $s_{ar}$  or when the actuator is not detected
- ▶ Remain shut down safely after the actuator has been removed

The safety switch meets the requirements in accordance with:


- ▶ EN 60947-5-3 with the actuator PSEN cs5.1 : PDDB
- ▶ EN 62061: SIL CL 3
- ▶ EN ISO 13849-1: PL e (Cat. 4)
- ▶ EN ISO 14119: Coding level Low, Type4

The safety switch may only be used with the corresponding actuator PSEN cs5.1.

The safety level PL e (Cat. 4 )/SIL CL 3 is only achieved if

- ▶ the safety outputs use 2-channel processing.

The following is deemed improper use in particular:

- ▶ Any component, technical or electrical modification to the product
- ▶ Use of the product outside the areas described in this manual
- ▶ Use of the product outside the technical details (see [Technical details](#) [ 31]).

**NOTICE****EMC-compliant electrical installation**

The product is designed for use in an industrial environment. The product may cause interference if installed in other environments. If installed in other environments, measures should be taken to comply with the applicable standards and directives for the respective installation site with regard to interference.

## Safety regulations

### Safety assessment

Before using a unit it is necessary to perform a safety assessment in accordance with the Machinery Directive.

Functional safety is guaranteed for the product as a single component. However, this does not guarantee the functional safety of the overall plant/machine. In order to achieve the required safety level for the overall plant/machine, define the safety requirements for the plant/machine and then define how these must be implemented from a technical and organisational standpoint.

### Additional documents that apply

Please read and take note of the following documents.

#### Only for use of the Safety Device Diagnostics (SDD):

- ▶ Operating manual for the fieldbus module, for example SDD ES ETH or SDD ES PROFIBUS
- ▶ System description "Safety Device Diagnostics"

#### For the use of passive junctions:

- ▶ Operating manual of a passive junction, for example:
  - PSEN ix2 F4 code
  - PSEN ix2 F8 code
  - PSEN Y junction M8 sensor
  - PSEN Y junction M8 cable channel

You will need to be conversant with the information in these documents in order to fully understand this operating manual.

### Use of qualified personnel

The products may only be assembled, installed, programmed, commissioned, operated, maintained and decommissioned by competent persons.

A competent person is someone who, because of their training, experience and current professional activity, has the specialist knowledge required to test, assess and operate the work equipment, devices, systems, plant and machinery in accordance with the general standards and guidelines for safety technology.

It is the company's responsibility only to employ personnel who:

- ▶ Are familiar with the basic regulations concerning health and safety / accident prevention
- ▶ Have read and understood the information provided in this description under "Safety"
- ▶ And have a good knowledge of the generic and specialist standards applicable to the specific application.

### Warranty and liability

All claims to warranty and liability will be rendered invalid if

- ▶ The product was used contrary to the purpose for which it is intended
- ▶ Damage can be attributed to not having followed the guidelines in the manual
- ▶ Operating personnel are not suitably qualified
- ▶ Any type of modification has been made (e.g. exchanging components on the PCB boards, soldering work etc.).

### Disposal

- ▶ In safety-related applications, please comply with the mission time  $T_M$  in the safety-related characteristic data.
- ▶ When decommissioning, please comply with local regulations regarding the disposal of electronic devices (e.g. Electrical and Electronic Equipment Act).


### For your safety



#### WARNING!

Loss of safety function due to manipulation of the interlocking device

Manipulation of the interlocking device may lead to serious injury and death.


- You should prevent any possibility of the interlocking device being manipulated through the use of a spare actuator.
- Keep the substitute actuator in a safe place and protect it from unauthorised access.
- If spare actuators are used, these must be installed as described in [Installation](#) [ 24].
- If the original actuators are replaced with substitute actuators, the original actuators must be destroyed before disposal.

- ▶ Do not remove the connector's protective cap until you are just about to connect the unit. This will prevent potential contamination.

### Unit features

- ▶ Transponder technology for presence detection
- ▶ Pilz coding type: Coded
- ▶ Dual-channel operation
- ▶ 2 safety inputs for series connection of multiple safety switches
- ▶ 2 safety outputs
- ▶ Safety Device Diagnostics (SDD)  
Safety Device Diagnostics can be used to poll sensor information, to perform actions and to read configuration parameters
- ▶ Diagnostic input for Y1 for Safety Device Diagnostics (SDD)
- ▶ Signal output/diagnostic output Y32 for Safety Device Diagnostics



- ▶ LED display for:
  - State of actuator detection
  - State of the inputs
  - Supply voltage/fault
- ▶ 4 actuation directions, each with 3 approach directions (see [Explanation of markings](#) [ 11])
  - Square marking for normal operating distance
  - Triangle marking for short operating distance
  - 2 semicircle markings for a lateral approach. Please note the Lateral and vertical offset with the lateral approach to the semicircle marking.

The guaranteed safe operating distances for the specified selections only apply when the actuator approaches the switch vertically. With the other approach directions, the operating distances may sometimes be considerably larger (particularly when approaching the semicircle).

## Function description

The safety outputs may have a high or low signal, depending on the position of the actuator and the signal status of the safety inputs.


**Electrical states of the safety inputs and outputs (when switch is ready for operation: DEVICE LED is green):**

Actuator in the re-response range	Safety input S11	Safety input S21	Safety output 12	Safety output 22	Signal output Y32 (without use of the SDD)
Yes	High	High	High	High	High
Yes	Low	Low	Low	Low	High
No	x	x	Low	Low	Low
Yes	High	Low	High	Low	High
Yes	Low	High	Low	High	High

x: High or low signal

### Feasibility monitoring for safety inputs S11 and S21

- ▶ If one safety input switches from high to low, while the other safety input remains high, an unequal status is displayed: **Input LED has quick yellow flashes and Device LED flashes red**
- ▶ If this safety input switches back from low to high, while the other safety input remains high, a feasibility error is displayed and a partial operation lock is triggered: **Input LED flashes yellow and Device LED flashes red**

A switch to a high signal will only lead to normal switch operation if both inputs had a low signal. From this moment on, the switch to high may occur (partial operation lock see [Error display](#) [ 29]).

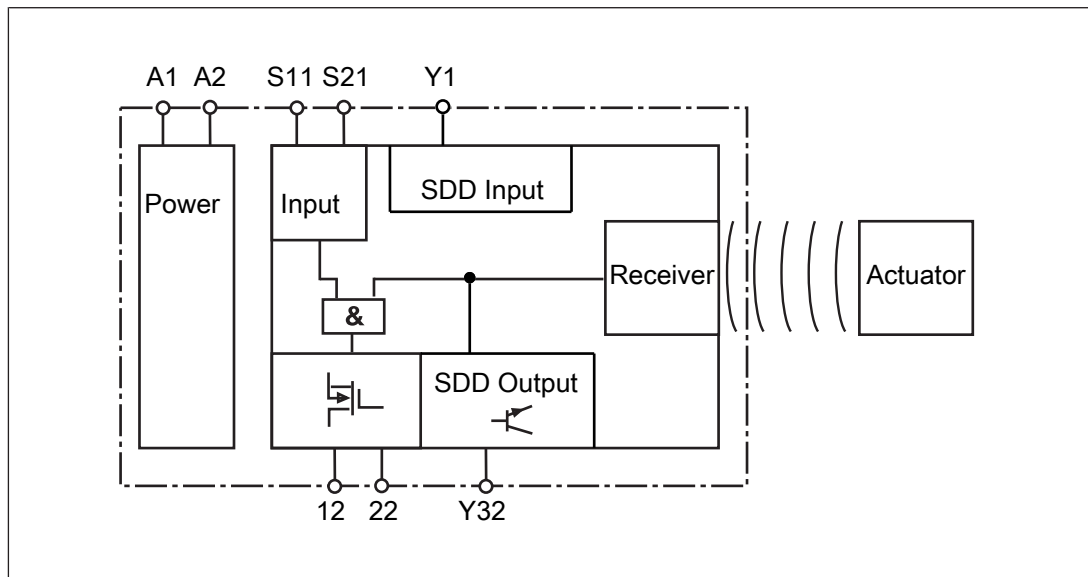
- ▶ Diagnostic input Y1
 

If a fieldbus module of the SDD is used, the diagnostic input Y1 is automatically activated and data is read.

If no fieldbus module of the SDD is used, the diagnostic input Y1 is not used.
- ▶ Signal output/diagnostic output Y32
 

The status of the actuator is output. If a fieldbus module of the SDD is used, the signal output/diagnostic output for the writing of data is activated.

### Block diagram



### Safety Device Diagnostics

Safety Device Diagnostics is an option that can be selected independently of the safety-related wiring.

When using the Safety Device Diagnostics, up to 16 sensors connected in series can be connected as a subscriber to a fieldbus module.

The communication of the sensors with the fieldbus module is automatically built up again with **each** new supply of the supply voltage. As a result, a sensor can be exchanged, e.g. when servicing, without the need for special measures.

An exchange can be detected via the fieldbus module e.g. through the serial number.

- ▶ With Safety Device Diagnostics there are the following diagnostic options for the fieldbus module:
  - Poll information of the sensors (examples: what sensor in the series has switched, at what point could there be an open circuit in the series connection)
  - Read configuration parameters of the sensors (examples: Number of remaining teach-in processes, serial number of the switch)
  - Perform actions (example: poll updated actuator name)

The results of the sensor diagnostics can be checked already during the installation phase via the display in the fieldbus module, without the need to connect the fieldbus module to the network.

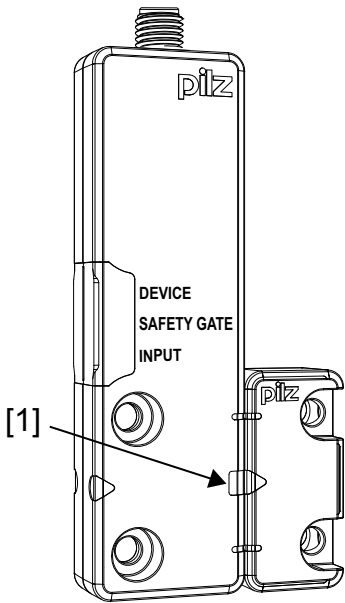
- ▶ With Safety Device Diagnostics there are the following diagnostic options for the field-bus module for simple wiring:
  - Information is passed on via the fieldbus module directly to the network
  - Mappings of the signal outputs to the sensor are automated by the SDD.

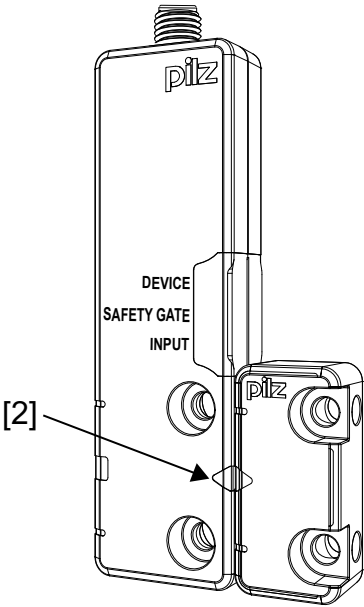
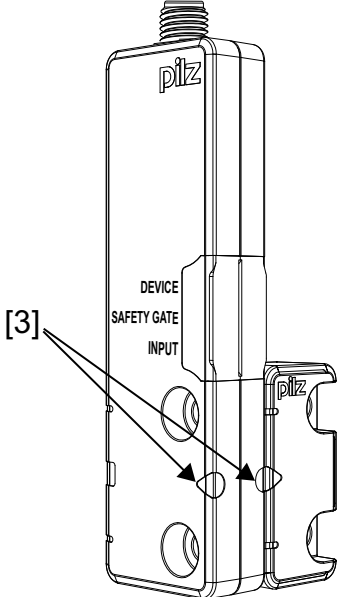
This prevents wiring errors and an expansion or reduction of the sensors is possible without the need to change existing wiring.

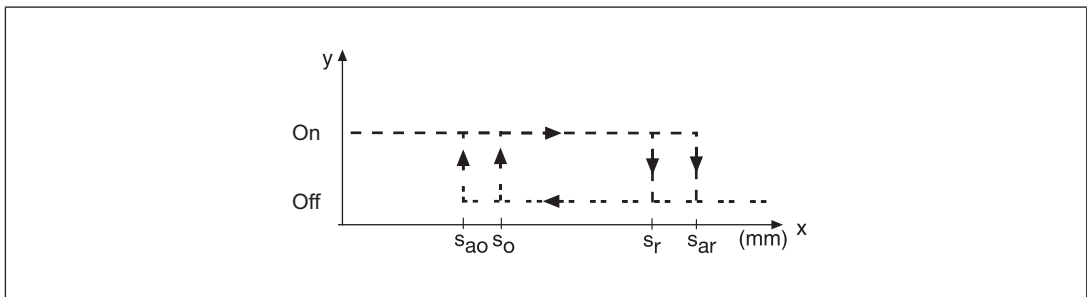
  - Wiring in accordance with IP20: Rapid installation in the control cabinet is enabled.
  - Wiring in accordance with IP67: Various passive junctions can be used (see [Order reference \[35\]](#)) to connect several sensors with only one cable from the field in the control cabinet.

Further information on Safety Device Diagnostics can be found in [Additional documents that apply \[7\]](#).

**Operating distances**

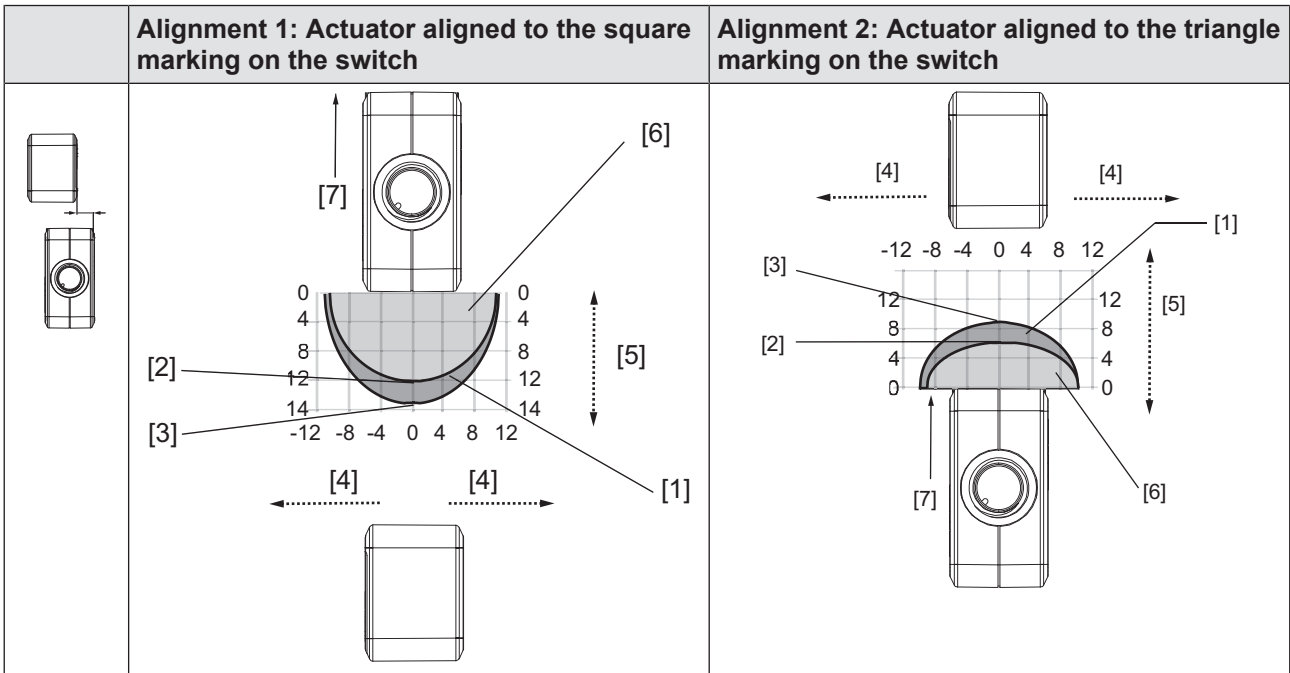
Alignment of the actuator	Operating distances
	<p>[1] Actuator aligned to the square marking on the switch</p> <p><math>S_{a0}</math> Assured operating distance: 8 mm  <math>S_{ar}</math> Assured release distance: 20 mm  <math>S_o</math> Typical operating distance: 11 mm  <math>S_r</math> Typical release distance: 14 mm</p>

	<p>[2] Actuator aligned to the triangle marking on the switch</p> <p><math>S_{ao}</math> Assured operating distance: 4 mm  <math>S_{ar}</math> Assured release distance: 12 mm  <math>S_o</math> Typical operating distance: 5 mm  <math>S_r</math> Typical release distance: 8 mm</p>
	<p>[3] Actuator aligned to the semicircle marking on the switch</p> <p><math>S_{ao}</math> Assured operating distance: 6 mm  <math>S_{ar}</math> Assured release distance: 19 mm  <math>S_o</math> Typical operating distance: 9 mm  <math>S_r</math> Typical release distance: 11 mm</p>



**Lateral and vertical offset**

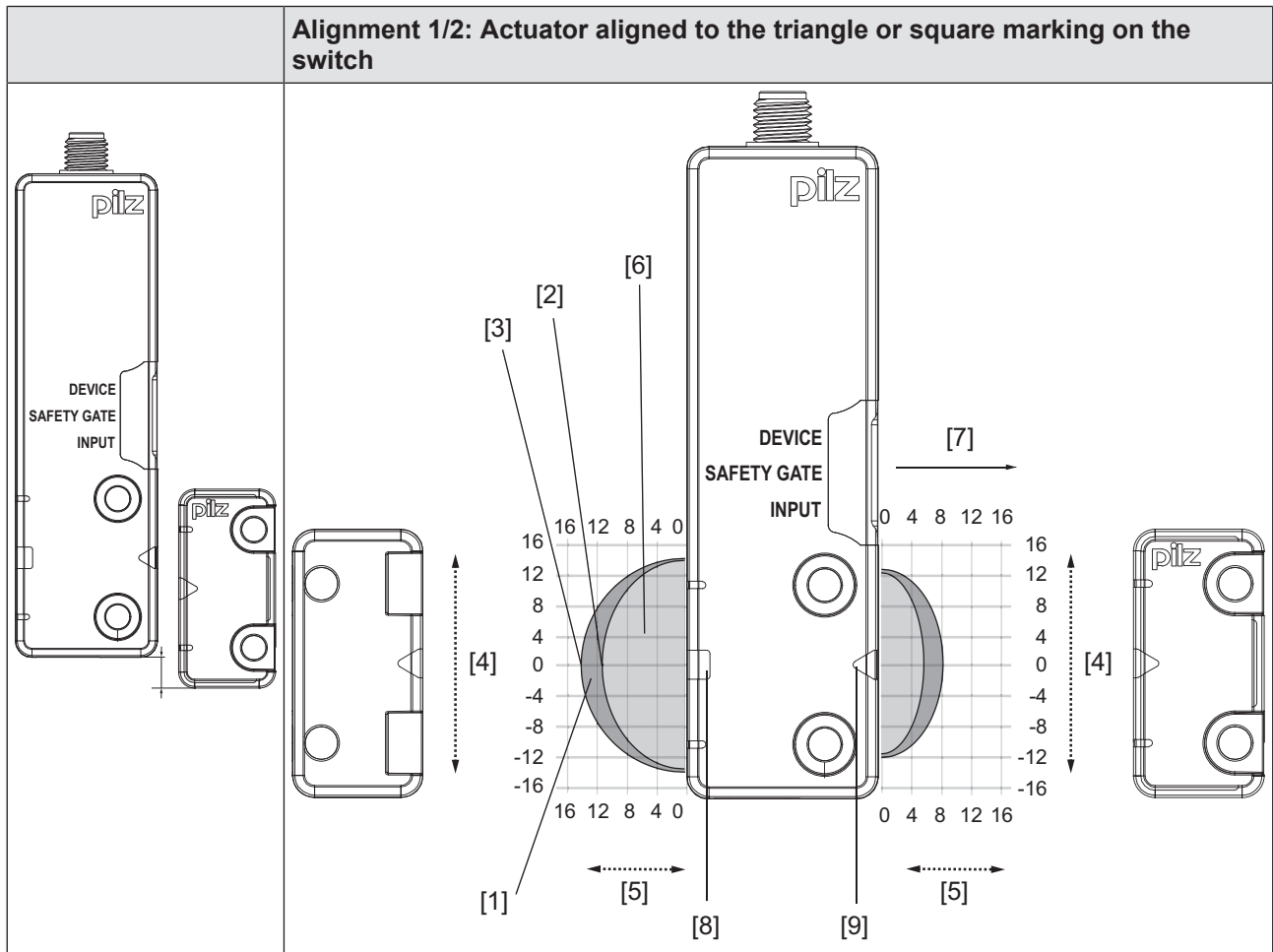
**Lateral offset when aligning to the triangle or square marking**



**Legend**

- [1] Hysteresis
- [2] Typical operating distance  $S_o$
- [3] Typical release distance  $S_r$
- [4] Offset in mm
- [5] Operating distance in mm
- [6] Response range
- [7] Status of LED

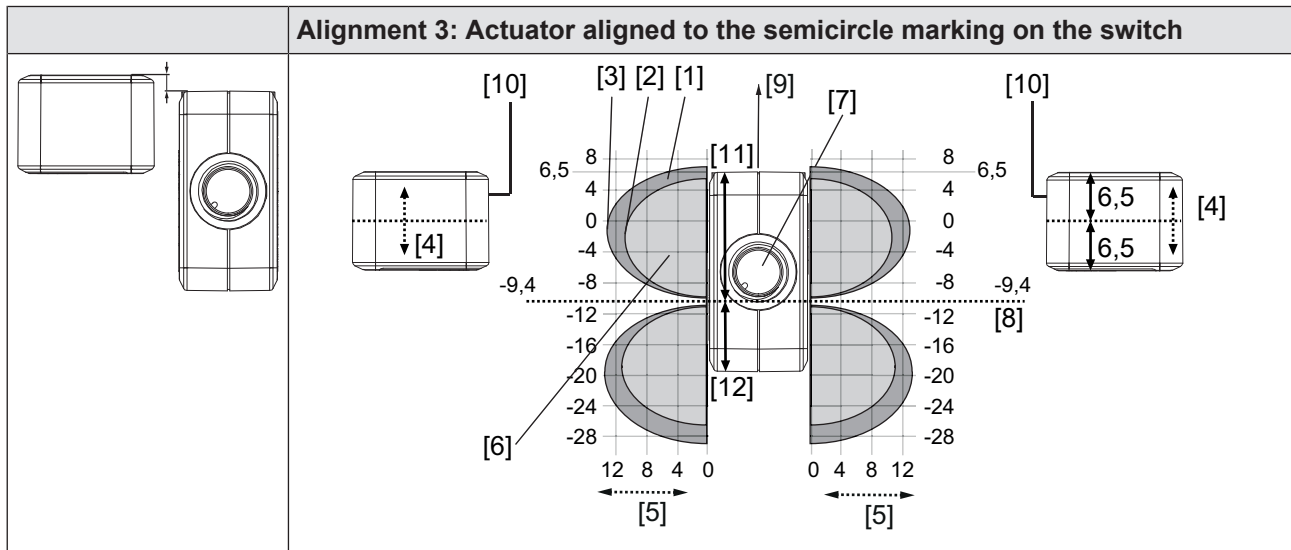
Vertical offset when aligning to the triangle or square marking



**Legend**

- [1] Hysteresis
- [2] Typical operating distance  $S_o$
- [3] Typical release distance  $S_r$
- [4] Offset in mm
- [5] Operating distance in mm
- [6] Response range
- [7] Status of LED
- [8] Square marking
- [9] Triangle marking

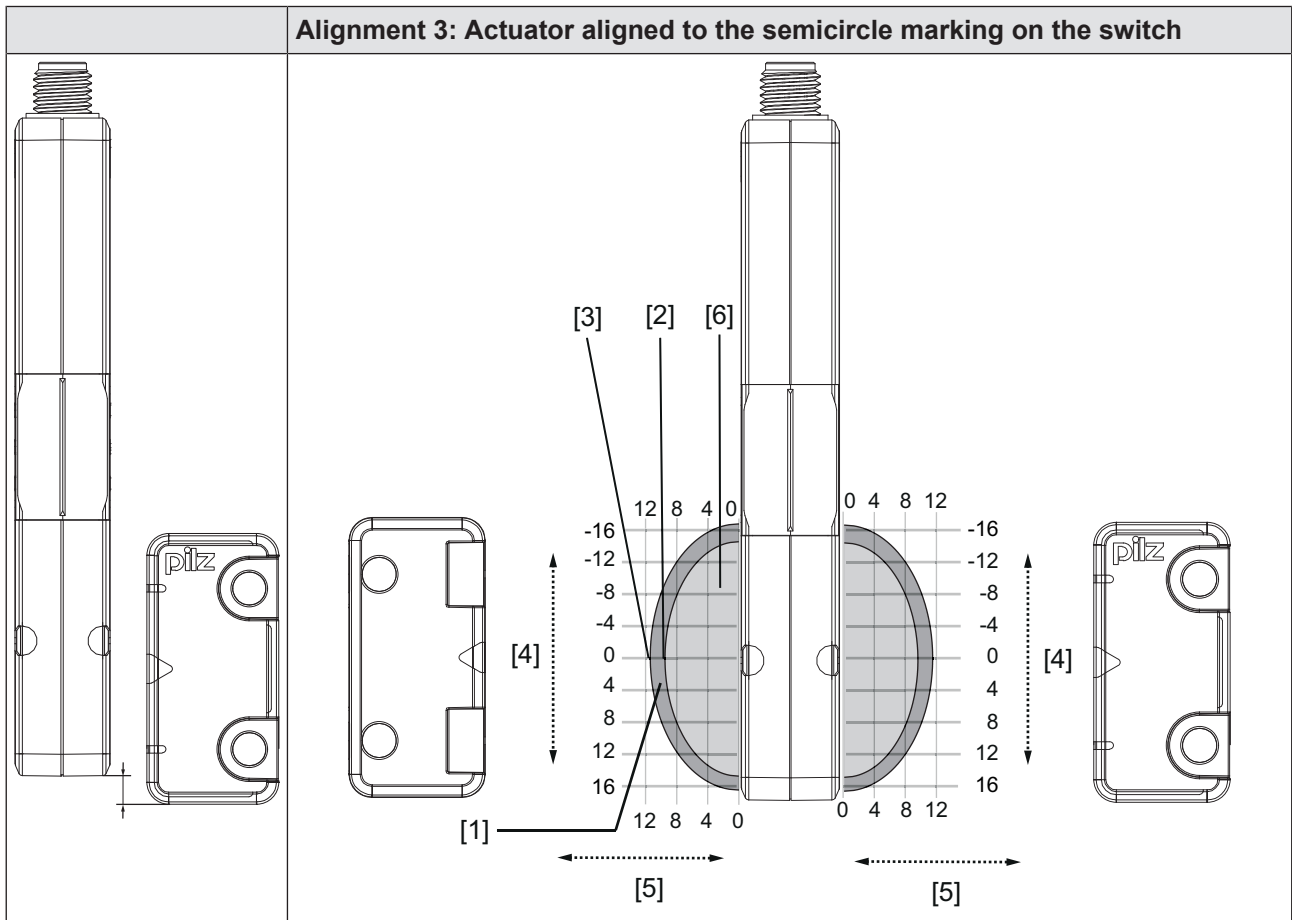
## Lateral offset when aligning to the semicircle marking



## Legend

- [1] Hysteresis
- [2] Typical operating distance  $S_o$
- [3] Typical release distance  $S_r$
- [4] Offset in mm (distance of the middle of the actuator to the zero line in the grid)
- [5] Operating distance in mm
- [6] Response range
- [7] Connector on the sensor
- [8] Limit of response range, position of gate hinge
- [9] Status of LED
- [10] Sensing face of the actuator, labelled with Pilz logo
- [11] Distance from the front edge of the sensor to the limit of the response range (position if the gate end stop) = 15.9 mm
- [12] Distance from the rear edge of the sensor to the limit of the response range (position if the gate end stop) = 10.5 mm

Vertical offset when aligning to the semicircle marking



**Legend**

- [1] Hysteresis
- [2] Typical operating distance  $S_o$
- [3] Typical release distance  $S_r$
- [4] Offset in mm
- [5] Operating distance in mm
- [6] Response range



## Wiring

Please note:

- ▶ Information given in the [Technical details \[31\]](#) must be followed.
- ▶ The max. cable length  $l_{max}$  in the input circuit is calculated from
  - the max. cable capacitance at the safety outputs (see [Technical data \[31\]](#)).
  - the minimum permitted supply voltage at the sensor (19.2 V).
- ▶ The power supply must meet the regulations for extra low voltages with protective separation (SELV, PELV).
- ▶ The inputs and outputs of the safety switch must have a protective separation to voltages over 60 VDC.



### INFORMATION

Only use safety relays with a 24 VDC supply voltage. Safety relays with a wide-range power supply or in AC device versions have internal potential isolation and are not suitable as evaluation devices.

- ▶ The supply voltage to the safety switch must be protected with a 2 A to 4 A quick-acting fuse.
- ▶ Ensure the wiring and EMC requirements of IEC 60204-1 are met.
- ▶ When connecting in series, make sure you comply with the wiring technology requirements (DIN EN 60204-1) and manipulation protection requirements (EN ISO 14119).

### Pin assignment, connector and cable

	8-pin M8 male connector
--	-------------------------

PIN	Connection designation	Function	Wire colour
1	S21	Input, channel 2	white
2	A1	+24 VUB	Brown
3	12	Output, channel1	green
4	22	Output, channel2	yellow
5	Y32	Signal output/diagnostic output	Grey
6	S11	Input, channel 1	Pink
7	A2	0 V UB	Blue
8	Y1	Diagnostics input	red

The wire colour also applies for the cable available from Pilz as an accessory.


### Connection to evaluation devices

Make sure that the selected evaluation device has the following properties:

- ▶ 2-channel with feasibility monitoring
- ▶ OSSD signals are evaluated

Please note:

- ▶ The use of Safety Device Diagnostics is described in detail in the [System description Safety Device Diagnostics](#) [7].



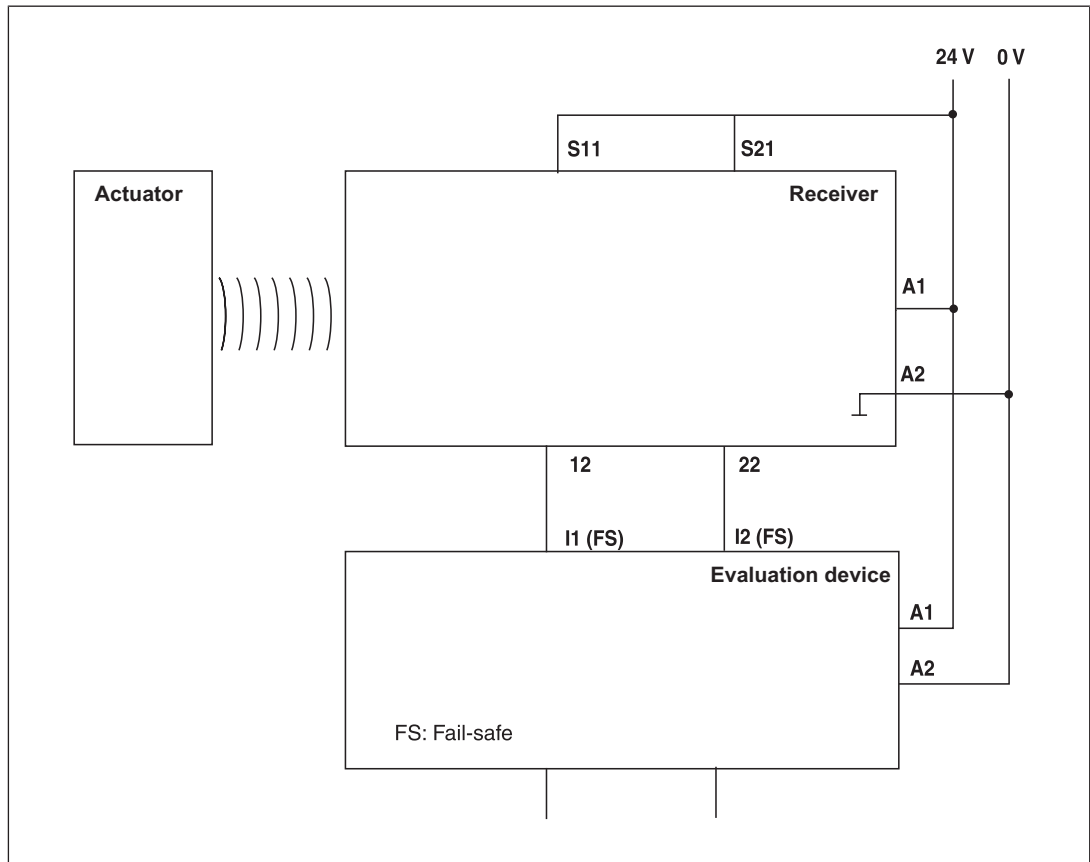
**CAUTION!**

Do not connect the signal output to 0 V!

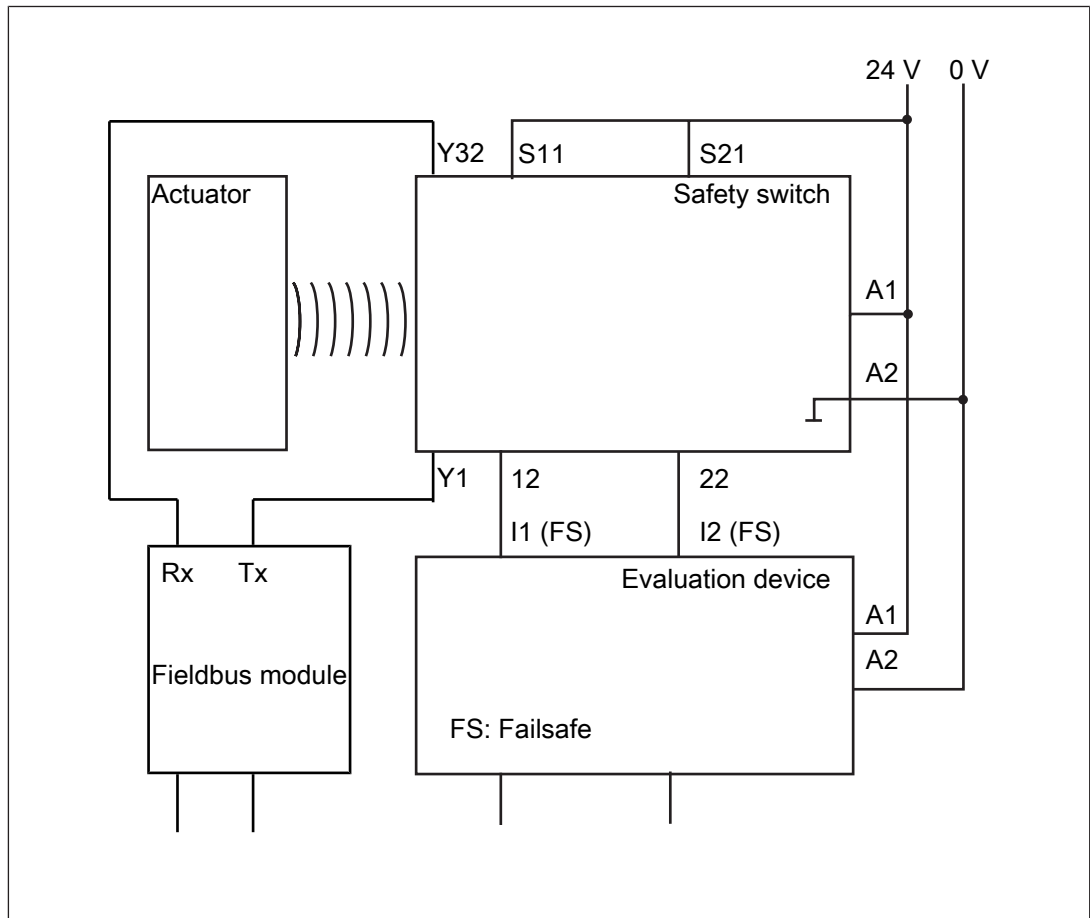
If the signal output Y32 is connected to 0 V, the safety switch may be damaged as a result. Connect the signal output Y32 to a consumer, e.g. to the input on a control system, or leave the signal output unconnected. Also note the max. current (see [Technical details](#) [31]).

### Single connection

#### Connection diagram, single connection without SDD



Connection diagram, single connection with SDD



### Series connection

The safety sensors PSENcode are also suitable for series connection with other sensors.

The series connection of maximum 32 sensors PSENcs 5.x and PSENcs 6.x is approved for SIL CL 3 without using the SDD.

When using the SDD, the series connection of maximum 16 sensors PSENcs 5.x and PSENcs 6.x is approved

In practice, the maximum possible number will be limited by the following parameters, among others:

- ▶ The required SIL level (e.g. SIL CL 3),
- ▶ the required performance level (e.g. PL e (Cat. 4)),
- ▶ the maximum delay or risk time permitted by the application.


Ensure there is sufficient supply voltage, taking inrush currents and fusing into consideration.



#### CAUTION!

Extension of delay-on de-energisation

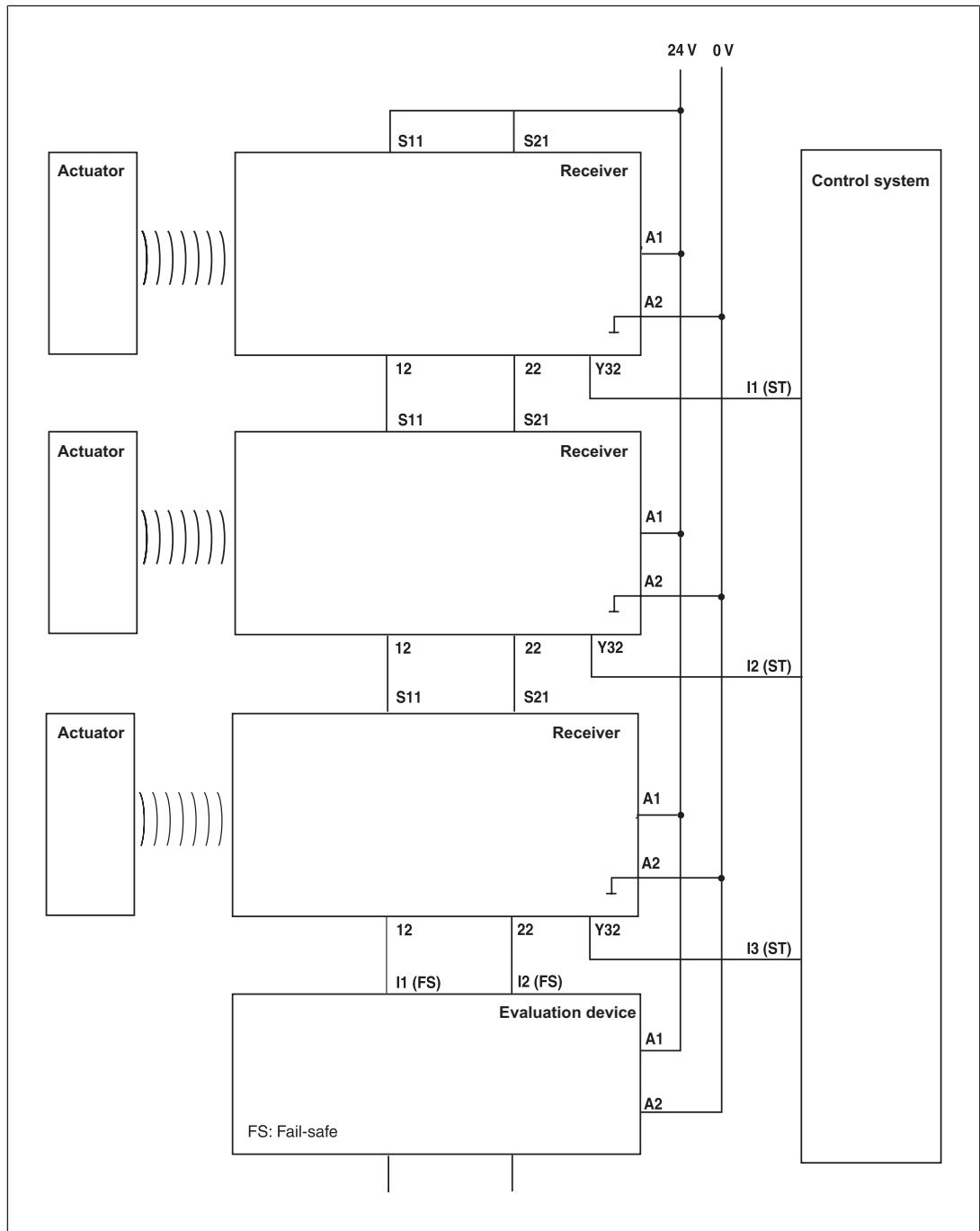
When several (n) devices are connected in series, the delay-on de-energisation time adds with the number of interconnected safety switches.

The max. delay-on de-energisation is made up of the risk time (see [Technical details](#)  31)

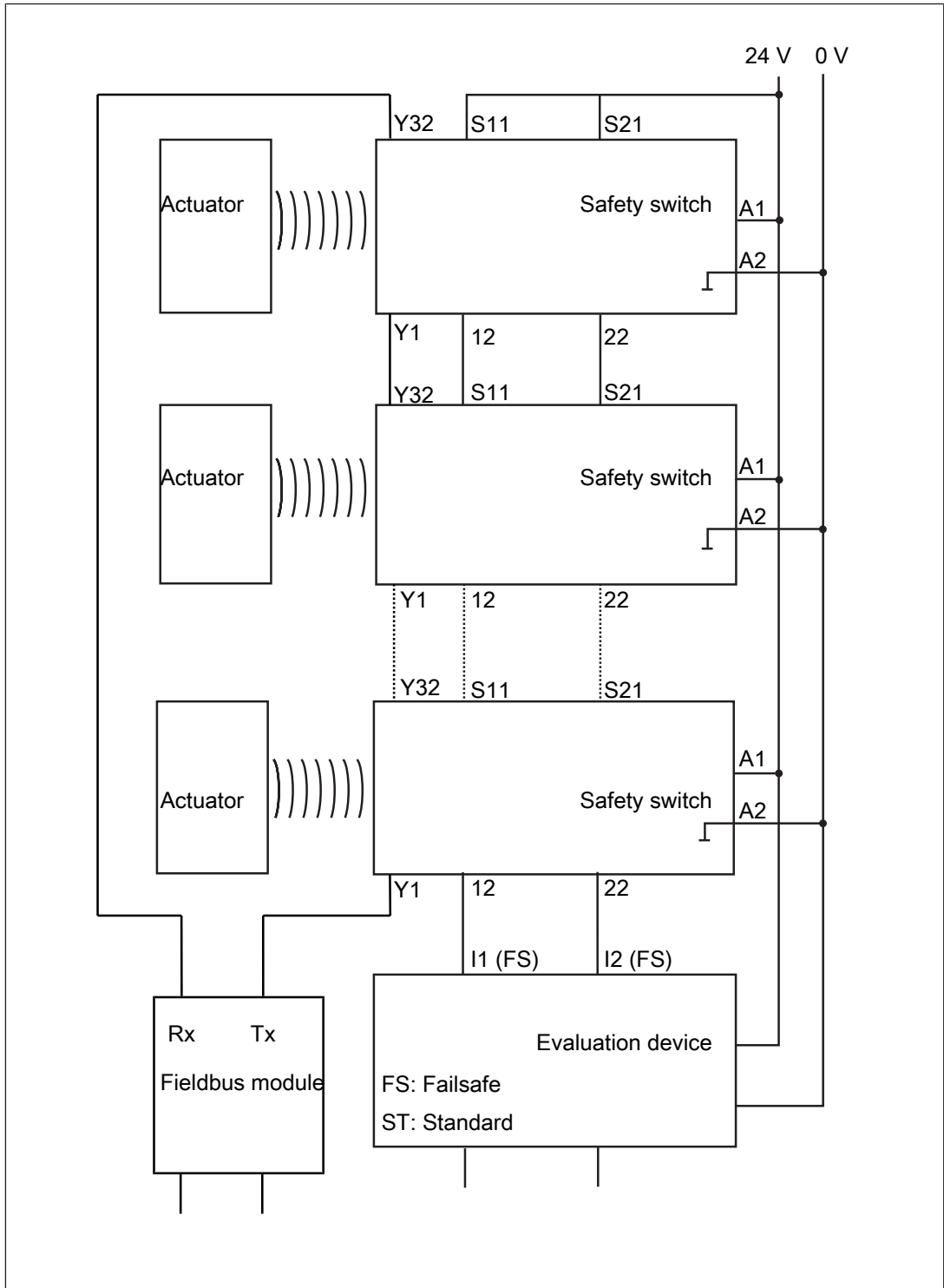
+ (n-1) x max. delay-on de-energisation of the inputs  
+ max. delay-on de-energisation of the evaluation device

- ▶ When making series connections using SDD, only use the following passive junctions.
  - PSEN ix2 F4 code
  - PSEN ix2 F8 code
  - PSEN Y junction M8-M12/M12 PIGTAIL
  - PSEN Y junction M8 SENSOR
  - PSEN Y junction M8 cable channel

Connection diagram, series connection without SDD



Connection diagram, series connection with SDD



**Connection to Pilz evaluation devices**

The safety switch PSEN cs5.1p can be connected to Pilz evaluation devices, for example.

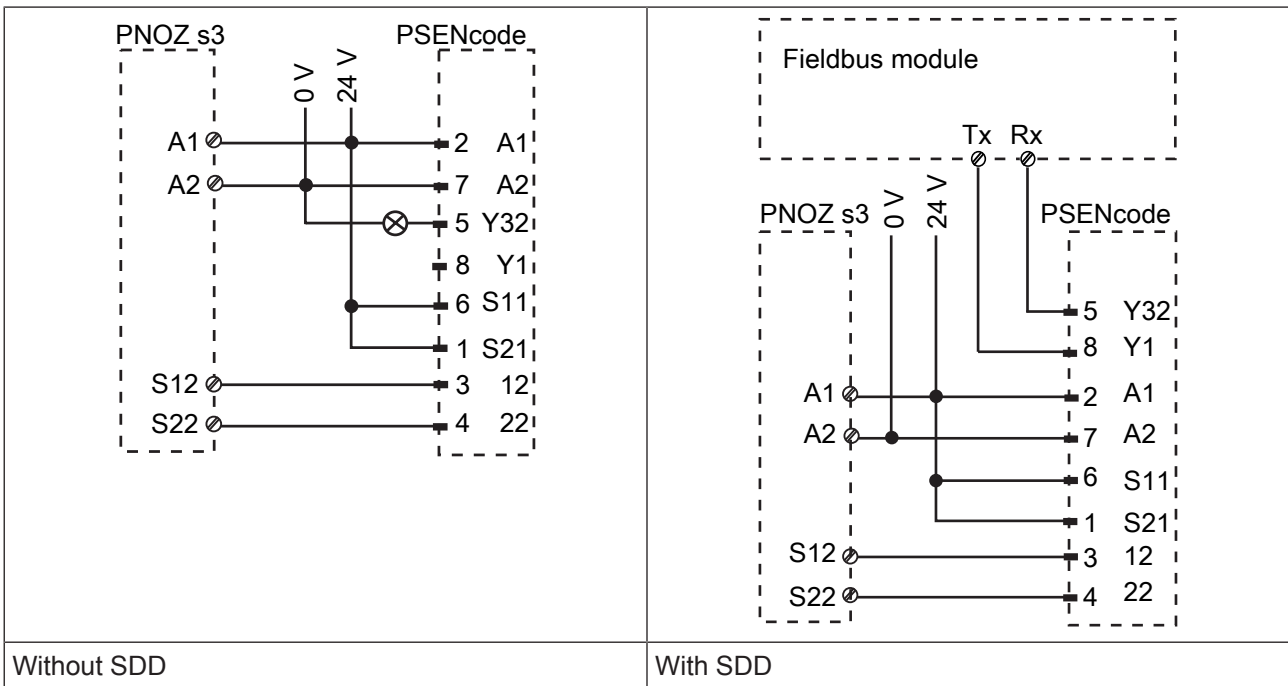
Suitable Pilz evaluation devices are, for example:

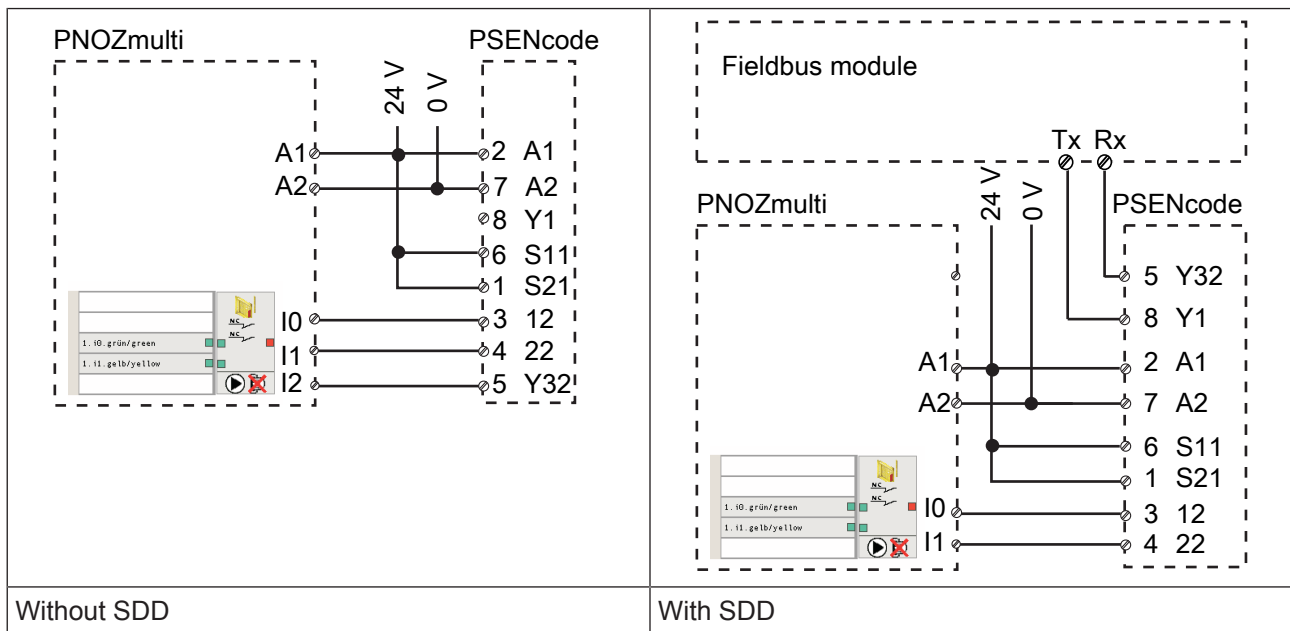
- ▶ PNOZelog for safety gate monitoring
- ▶ PNOZpower for safety gate monitoring
- ▶ PNOZsigma for safety gate monitoring
- ▶ PNOZ X for safety gate monitoring
- ▶ PNOZmulti for safety gate monitoring  
Configure the switch in the PNOZmulti Configurator with switch type 3.
- ▶ PSS for safety gate monitoring with standard function block SB064, SB066 or FS\_Safety Gate

The correct connection to the respective evaluation device is described in the operating manual for the evaluation device. Make sure that the connection is made in accordance with the specifications in the operating manual for the selected evaluation device.

The connections to two evaluation devices are shown on the following pages, by way of example:

- ▶ PNOZ s3 and
- ▶ PNOZmulti






**Legend:**

I0	Input OSSD
I1	Input OSSD
I2	Signal input

**Teaching in the actuator**

Any Pilz actuator (PSEN cs5.1) is detected as soon as it is brought into the response range.

**Installation**



**CAUTION!**

Potential loss of safety function due to changed device properties

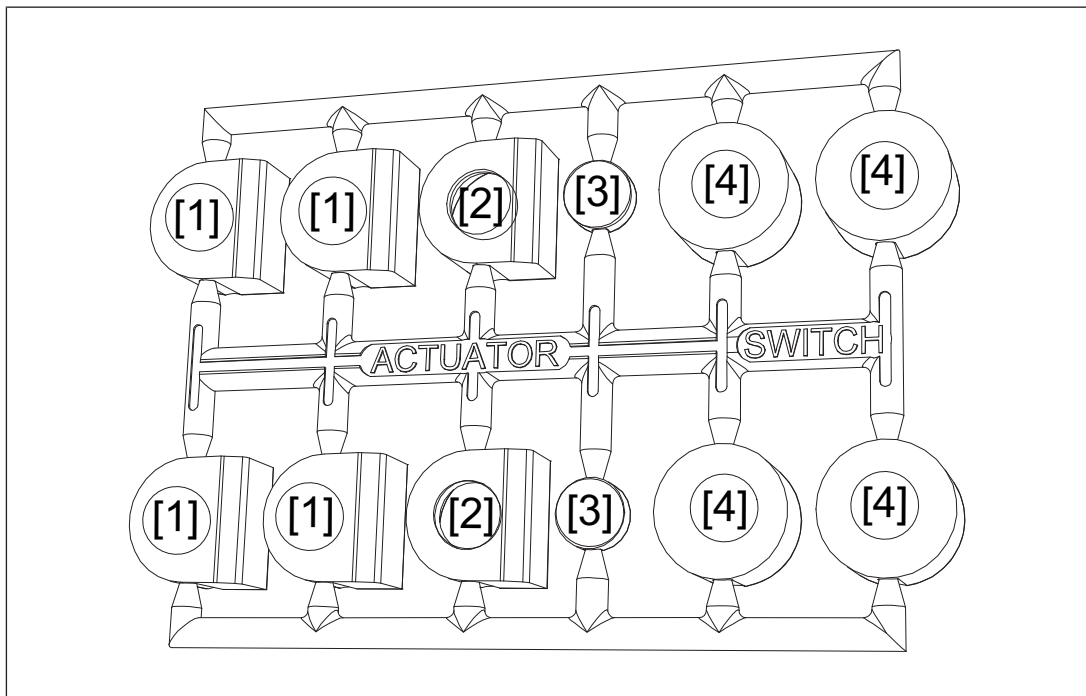
The unit's properties may be affected if installed in an environment containing electrically or magnetically conductive material.

- Please check the operating distances and the assured release distance.

- ▶ The safety switch and actuator should be installed opposite each other in parallel. Make sure that the actuator is aligned to the marking on the sensor that guarantees the operating distance required by the plant design (see [Operating distances \[11\]](#)).
- ▶ Safety switches and actuators should only be secured using M4 screws with a flat head (e.g. M4 cheese-head or pan head screws).
- ▶ Torque setting: Note the stated max. torque in the [Technical details \[31\]](#).
- ▶ The distance between two safety switches must be maintained (see [Technical details \[31\]](#)).
- ▶ If using angled connector plugs, note the defined angle of the cable routing.



- ▶ When installing make sure you comply with the requirements of EN ISO 14119.
- ▶ Make sure that the safety switch and actuator cannot be used as an end stop.
- ▶ For simpler installation, the mounting brackets (see [Order reference for Accessories \[35\]](#)) can be used.
- ▶ The actuator should be protected from unauthorised removal and from contamination. Close the mounting holes using the seals provided (see diagrams). The use of seals should be regarded as equivalent to using permanent fastenings in accordance with Clause 7.2c of EN ISO 14119.



#### Legend

- [1] 4 seals for actuators
- [2] Unused seals
- [3] 2 seals for actuators
- [4] 2 seals for switches, 2 seals unused

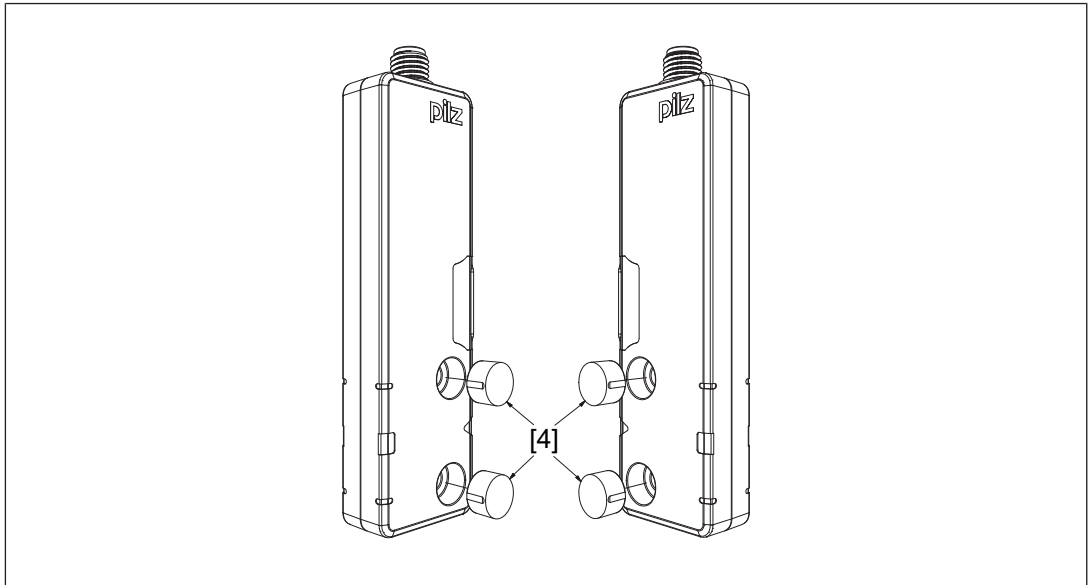


Fig.: Applying the screw cover [4] on the switch

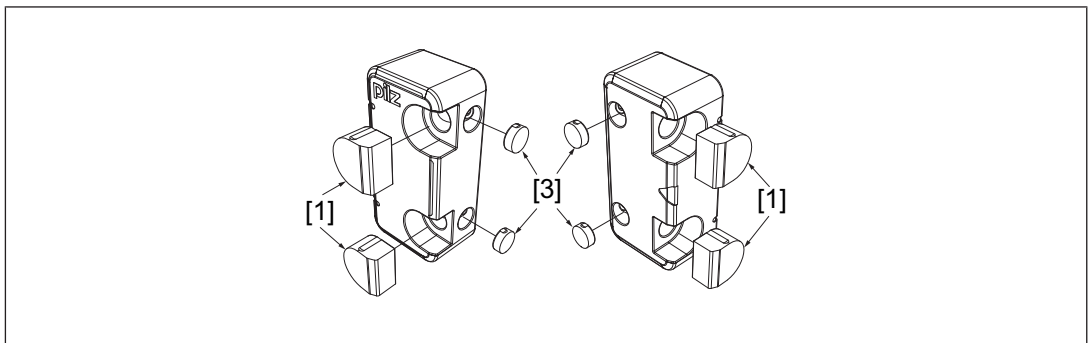


Fig.: Applying the screw covers [1] and [3] on the actuator

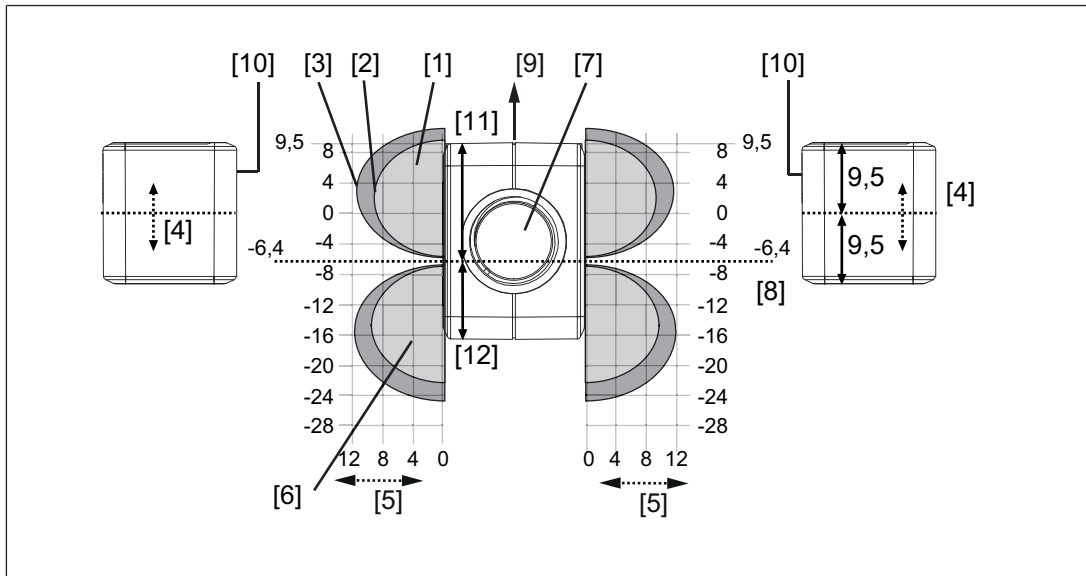


**WARNING!**

Loss of safety function due to not permitted enlargement of the assured release distance when using both switching lobes (aligned at semicircle marking)

Depending on the application, serious injury or death may result.

- Install a mechanical stop when using the response range at the semicircle marking, to avoid unintended switching off at the limit of the response range and to prevent the maximum release distance from enlarging impermissibly by using both switching lobes.



### Legend

- [1] Hysteresis
- [2] Typical operating distance  $S_o$
- [3] Typical release distance  $S_r$
- [4] Offset in mm (distance of the middle of the actuator to the zero line in the grid)
- [5] Operating distance in mm
- [6] Response range
- [7] Connector on the sensor
- [8] Limit of response range, position of gate hinge
- [9] Status of LED
- [10] Sensing face of the actuator, labelled with Pilz logo
- [11] Distance from the front edge of the sensor to the limit of the response range (position if the gate end stop) = 15.9 mm
- [12] Distance from the rear edge of the sensor to the limit of the response range (position if the gate end stop) = 10.5 mm

### Procedure:

1. Drill holes (for M4 screws) in the mounting surface to secure the actuator and sensor (see [Dimensions in mm](#) [ 30]).
2. Use a screw to fix the sensor to the mounting surface.  
Make sure that the sensor marking that is be used for operation can be operated using the actuator from the right side.
3. Do not fully tighten the second screw on the safety switch.
4. Use a screw to fix the actuator to the mounting surface.  
Make sure that the actuator with the marking (triangle) points towards the marking on the sensor.
5. Do not fully tighten the second screw on the actuator.
6. Align the safety switch and tighten the screws.
7. Align the actuator and tighten the screws.


**Use in operating heights higher than 2000 m above sea level**

When using the PSEN cs5.1p note the reduced max. ambient temperature of +60 °C at a height of 2000 m to 4000 m.

**Adjustment**

- ▶ The stated operating distances (see [Technical details \[31\]](#)) only apply when the safety switch and actuator are installed facing each other in parallel. Operating distances may deviate if other arrangements are used.
- ▶ Note the maximum permitted lateral and vertical offset (see [Operating distances \[11\]](#) and [Lateral and vertical offset \[15\]](#)).

**Operation**



**NOTICE**




The safety function should be checked after initial commissioning and each time the plant/machine is changed. The safety functions may only be checked by qualified personnel.

**Status indicators:**














**Legend**

- LED off
- ☀ LED on
- ⦿ LED flashes (500 ms on, 500 ms off)
- ⦿ LED flashes quickly (50 ms on, 950 ms off)

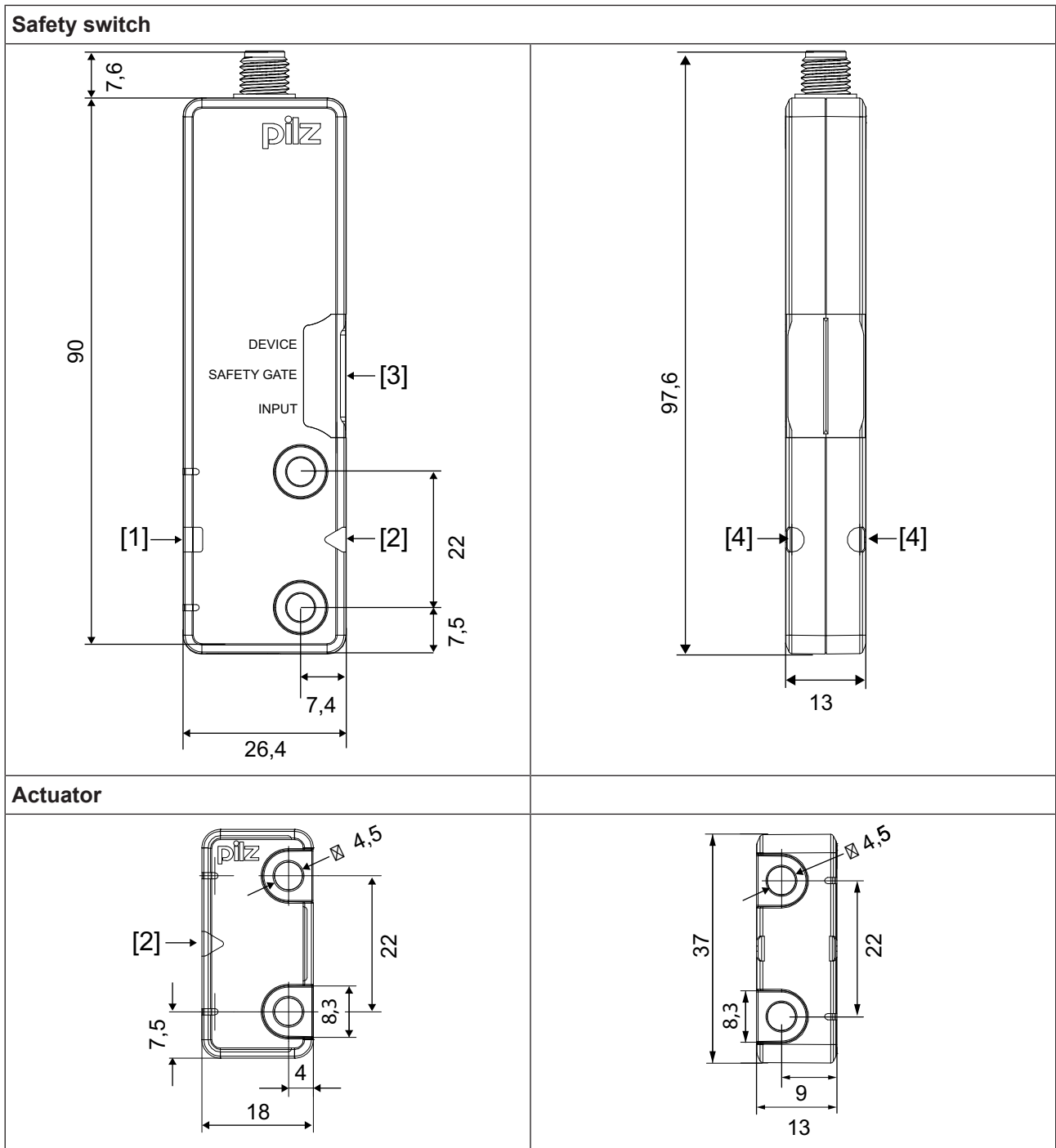
**Normal mode**

LED status		Switch status
Device	 Green	Ready for operation
Safety Gate	 yel- low	Actuator is within the response range
	● Off	Actuator is outside the response range
Input	 yel- low	Both safety inputs are high
	● Off	Both safety inputs are low

## Error display

LED status			Switch status	Remedy / measure
Device	Safety Gate	Input		
 red	 Off	 Off	Internal error on switch	Change the switch.
 red	 yellow	 yellow	Supply voltage is outside the tolerance range	Ensure the voltage supply corresponds to the <a href="#">Technical details</a> [31].
 yellow	Display not definitive	Display not definitive	Supply voltage is at the limit of the tolerance range	Ensure the voltage supply corresponds to the <a href="#">Technical details</a> [31].
 red	Display of last status	Display of last status	Outputs in fault condition	Check the outputs and switch the voltage off and then on again.
 green	 yellow	Display not definitive	Wrong actuator	Use the actuator PSEN cs5.1.
 Off	 yellow	 yellow	Switch doesn't start	Change the switch.

Dimensions in mm



Legend:

- [1] Square marking
- [2] Triangle marking
- [3] LEDs
- [4] Semicircle marking

## Technical details

<b>General</b>	
Approvals	CE, EAC (Eurasian), ECOLAB, FCC, IC, TÜV, UL/cUL
Sensor's mode of operation	Transponder
Coding level in accordance with EN ISO 14119	Low
Design in accordance with EN ISO 14119	4
Classification in accordance with EN 60947-5-3	PDDb
Pilz coding type	Coded
<b>Transponder</b>	
Frequency band	122 kHz - 128 kHz
Max. transmitter output	7 dBm
<b>Electrical data</b>	
Supply voltage	
Voltage	24 V
Kind	DC
Voltage tolerance	-20 %/+20 %
Output of external power supply (DC)	1 W
Max. switching frequency	3 Hz
Max. cable capacitance at the safety outputs	
No-load, PNOZ with relay contacts	40 nF
PNOZmulti, PNOZelog, PSS	40 nF
Max. inrush current impulse	
Current pulse, A1	0,5 A
No-load current	25 mA
<b>Inputs</b>	
Number	2
Voltage at inputs	24 V DC
Input current range	1,6 - 3 mA
<b>Semiconductor outputs</b>	
OSSD safety outputs	2
Signal outputs	1
Switching current per output	100 mA
Breaking capacity per output	2,4 W
Potential isolation from system voltage	No
Short circuit-proof	yes
Residual current at outputs	400 µA
Voltage drop at OSSDs	1 V
Conditional rated short circuit current	100 A
Lowest operating current	2 mA
Utilisation category in accordance with EN 60947-1	DC-12
<b>Times</b>	
Test pulse duration, safety outputs	150 µs


<b>Times</b>	
Switch-on delay	
after UB is applied	<b>1 s</b>
Inputs typ.	<b>1 ms</b>
Inputs max.	<b>3 ms</b>
Actuator typ.	<b>30 ms</b>
Actuator max.	<b>50 ms</b>
Delay-on de-energisation	
Inputs typ.	<b>2 ms</b>
Inputs max.	<b>4 ms</b>
Actuator typ.	<b>30 ms</b>
Actuator max.	<b>40 ms</b>
Risk time in accordance with EN 60947-5-3	<b>150 ms</b>
Supply interruption before de-energisation	<b>20 ms</b>
Simultaneity, channel 1 and 2 max.	$\infty$
<b>Environmental data</b>	
Ambient temperature	
In accordance with the standard	<b>EN 60068-2-14</b>
Temperature range	<b>-25 - 70 °C</b>
Max. at max. operating height	<b>+60 °C</b>
Max. at max. operating height <2000 m	<b>+70 °C</b>
Storage temperature	
In accordance with the standard	<b>EN 60068-2-1/-2</b>
Temperature range	<b>-40 - 85 °C</b>
Climatic suitability	
In accordance with the standard	<b>EN 60068-2-30</b>
Humidity	<b>93 % r. h. at 40 °C</b>
Max. operating height above sea level	<b>4000 m</b>
EMC	<b>EN 60947-5-3</b>
Vibration	
In accordance with the standard	<b>EN 60947-5-2</b>
Frequency	<b>10 - 55 Hz</b>
Amplitude	<b>1 mm</b>
Shock stress	
In accordance with the standard	<b>EN 60947-5-2</b>
Acceleration	<b>30g</b>
Duration	<b>11 ms</b>
Airgap creepage	
Overvoltage category	<b>III</b>
Pollution degree	<b>3</b>
Rated insulation voltage	<b>75 V</b>
Rated impulse withstand voltage	<b>1 kV</b>
Protection type	
Housing	<b>IP66, IP67</b>
<b>Mechanical data</b>	
Actuator 1	<b>PSEN cs5.1</b>



<b>Mechanical data</b>	
Operating distances	
Repetition accuracy switching distances	<b>3 %</b>
Change of operating distance with temperature changes	<b>+0,02mm/°C</b>
Operating distances when the actuator approaches square marking	
Assured operating distance Sao	<b>8 mm</b>
Assured release distance Sar	<b>20 mm</b>
Typical operating distance So	<b>11 mm</b>
Typical release distance Sr	<b>14 mm</b>
Typical hysteresis	<b>2 mm</b>
Operating distances when the actuator approaches triangle marking	
Assured operating distance Sao	<b>4 mm</b>
Assured release distance Sar	<b>12 mm</b>
Typical operating distance So	<b>5 mm</b>
Typical release distance Sr	<b>8 mm</b>
Typical hysteresis	<b>2 mm</b>
Operating distances when the actuator approaches semicircle marking	
Assured operating distance Sao	<b>6 mm</b>
Assured release distance Sar	<b>19 mm</b>
Typical operating distance So	<b>9 mm</b>
Typical release distance Sr	<b>11 mm</b>
Typical hysteresis	<b>2 mm</b>
Min. distance between safety switches	<b>250 mm</b>
Sensor flush installation in accordance with EN 60947-5-2	<b>Yes, follow installation guidelines</b>
Connection type	<b>M8, 8-pin male connector</b>
Material	<b>PA+GF, PBT, polycarbonate</b>
Max. torque setting for fixing screws	<b>1 Nm</b>
Dimensions	
Height	<b>26,4 mm</b>
Width	<b>97,6 mm</b>
Depth	<b>13 mm</b>
Actuator dimensions	
Height	<b>18 mm</b>
Width	<b>37 mm</b>
Depth	<b>13 mm</b>
Weight of safety switch	<b>48 g</b>
Weight of actuator	<b>10 g</b>
Weight	<b>58 g</b>

Where standards are undated, the 2015-11 latest editions shall apply.

**Safety characteristic data**




**NOTICE**

You must comply with the safety-related characteristic data in order to achieve the required safety level for your plant/machine.

Operating mode	EN ISO 13849-1: 2015 PL	EN ISO 13849-1: 2015 Category	EN 62061 SIL CL	EN 62061 PFH <sub>D</sub> [1/h]	IEC 61511 SIL	IEC 61511 PFD	EN ISO 13849-1: 2015 T <sub>M</sub> [year]
2-ch. OSSD	PL e	Cat. 4	SIL CL 3	9,56E-10	–	8,51E-06	20

All the units used within a safety function must be considered when calculating the safety characteristic data.



**INFORMATION**

A safety function's SIL/PL values are **not** identical to the SIL/PL values of the units that are used and may be different. We recommend that you use the PASCAL software tool to calculate the safety function's SIL/PL values.

**Supplementary data**

**Radio approval**

**USA/Canada**

**FCC ID: VT8-PSENCSS5**  
**IC: 7482A-PSENCSS5**

FCC/IC-Requirements:  
 This product complies with Part 15 of the FCC Rules and with Industry Canada licence-exempt RSS standards. Operation is subject to the following two conditions:  
 1) this product may not cause harmful interference, and  
 2) this product must accept any interference received, including interference that may cause undesired operation.

Changes or modifications made to this product not expressly approved by Pilz may void the FCC authorization to operate this equipment.

**NOTE:** This equipment has been tested and found to comply with the limits for a Class A digital device, pursuant to Part 15 of the FCC Rules. These limits are designed to provide reasonable protection against harmful interference when the equipment is operated in a commercial environment. This equipment generates, uses, and can radiate radio frequency energy and, if not installed and used in accordance with the instruction manual, may cause harmful interference to radio communications. Operation of this equipment in a residential area is likely to cause harmful interference in which case the user will be required to correct the interference at his own expense.

Le présent produit est conforme aux CNR d'Industrie Canada applicables aux appareils radio exempts de licence. L'exploitation est autorisée aux deux conditions suivantes:  
 (1) le produit ne doit pas produire de brouillage, et  
 (2) l'utilisateur de le produit doit accepter tout brouillage radioélectrique subi, même si le brouillage est susceptible d'en compromettre le fonctionnement.

## Order reference

### System

Product type	Features	Connection type	Order no.
PSEN cs5.1p/PSEN cs5.1 1unit	Safety gate system, coded	8-pin M8 male connector	542 000
PSEN cs5.1p 1switch	Safety switch, coded	8-pin M8 male connector	542 050
PSEN cs5.1 1actuator	Actuator, coded		542 080

### Accessories

#### Accessories for installation

Product type	Features	Order no.
PSEN bracket	Mounting bracket	532 110
PSEN mag/cs bracket straight	Mounting aid	532 111
PSEN screw M4x12 10pcs	Safety screws made from stainless steel with one-way slot	540 309
PSEN screw M4x16 10pcs	Safety screws made from stainless steel with one-way slot	540 310

### Cable

Product type	Connection 1	Connection 2	Length	Order no.
PSEN cable M8-8sf, 2m	Straight, M8, 8-pin, socket	Open cable	2 m	533 150
PSEN cable M8-8sf, 5m			5 m	533 151
PSEN cable M8-8sf, 10m			10 m	533 152
PSEN cable M8-8af, 10m	Angled, M8, 8-pin, socket		10 m	533 162
PSEN cable M8-8sf, 20m	Straight, M8, 8-pin, socket		20 m	533 153
PSEN cable M8-8sf, 30m			30 m	533 154
PSEN cable M8-8sf M8-sm, 0.5m	Straight, M8, 8-pin, pin	Straight, M8, 8-pin, socket	0.5 m	533 155
PSEN cable M8-8sf M8-8sm, 1m			1 m	533 156
PSEN cable M8-8sf M8-8sm, 2m			2 m	533 157

### Accessories for series connection

Product type	Connection X1	Connection X2	Connection X3	Order no.
PSEN Y junction M8 SENSOR	M8, 8-pin, pin	M8, 8-pin, socket	M8, 8-pin, socket	540 317
PSEN Y junction M8 cable channel	M8, 8-pin, pin	M8, 8-pin, socket	M8, 8-pin, socket	540 318
PSEN Y junction M8-M12/ M12 PIGTAIL	M12, 8-pin, socket	M12, 8-pin, pin	M8, 8-pin, socket	540 337
PSEN converter M8-8sf -- M12-8sm	M12, 8-pin, pin	M8, 8-pin, socket	-	540 329
PDP67 F 4 code	Decentralised passive junction			773 603
PDP67 F 4 code VA	Decentralised passive junction, V2A ring nut			773 613

### Accessories for Safety Device Diagnostics

Product type	Features	Connection type	Order no.
PSEN ix2 F4 code	Interface for connecting max. 4 PSEN safety sensors	Spring-loaded terminal	535 111
PSEN ix2 F8 code	Interface for connecting max. 8 PSEN safety sensors	Spring-loaded terminal	535 112
SDD ES ETH	Fieldbus module Modbus/ TCP for Safety Device Diagnostics	Spring-loaded terminal	540 130
SDD ES Profibus	Fieldbus module Profibus for Safety Device Diagnostics	Spring-loaded terminal	540 132
SDD ES Profinet	Fieldbus module for Safety Device Diagnostics	Spring-loaded terminal	540 138

### EC declaration of conformity

This product/these products meet the requirements of the directive 2006/42/EC for machinery of the European Parliament and of the Council. The complete EC Declaration of Conformity is available on the Internet at [www.pilz.com/downloads](http://www.pilz.com/downloads).

Representative: Norbert Fröhlich, Pilz GmbH & Co. KG, Felix-Wankel-Str. 2, 73760 Ostfildern, Germany

# ► Support

Technical support is available from Pilz round the clock.

## Americas

**Brazil**  
+55 11 97569-2804

**Canada**  
+1 888-315-PILZ (315-7459)

**Mexico**  
+52 55 5572 1300

**USA (toll-free)**  
+1 877-PILZUSA (745-9872)

## Asia

**China**  
+86 21 60880878-216

**Japan**  
+81 45 471-2281

**South Korea**  
+82 31 450 0680

## Australia

+61 3 95446300

## Europe

**Austria**  
+43 1 7986263-0

**Belgium, Luxembourg**  
+32 9 3217575

**France**  
+33 3 88104000

**Germany**  
+49 711 3409-444

**Ireland**  
+353 21 4804983

**Italy**  
+39 0362 1826711

## Scandinavia

+45 74436332

## Spain

+34 938497433

## Switzerland

+41 62 88979-30

## The Netherlands

+31 347 320477

## Turkey

+90 216 5775552

## United Kingdom

+44 1536 462203

## You can reach our international hotline on:

+49 711 3409-444  
support@pilz.com

Pilz develops environmentally-friendly products using ecological materials and energy-saving technologies. Offices and production facilities are ecologically designed, environmentally-aware and energy-saving. So Pilz offers sustainability, plus the security of using energy-efficient products and environmentally-friendly solutions.



Partner of the Engineering Industry Sustainability Initiative



Pilz GmbH & Co. KG  
Felix-Wankel-Straße 2  
73760 Ostfildern, Germany  
Tel.: +49 711 3409-0  
Fax: +49 711 3409-133  
info@pilz.com  
www.pilz.com

**PILZ**  
THE SPIRIT OF SAFETY