


## PSEN cs3.1p/M12

- ▶ PSEN sensor technology

This document is a translation of the original document.

All rights to this documentation are reserved by Pilz GmbH & Co. KG. Copies may be made for internal purposes. Suggestions and comments for improving this documentation will be gratefully received.

Pilz®, PIT®, PMI®, PNOZ®, Primo®, PSEN®, PSS®, PVIS®, SafetyBUS p®, SafetyEYE®, SafetyNET p®, the spirit of safety® are registered and protected trademarks of Pilz GmbH & Co. KG in some countries.

 SD means Secure Digital

<b>Introduction</b>	<b>5</b>
Validity of documentation	5
Using the documentation	5
Definition of symbols	5
<b>Safety</b>	<b>6</b>
Intended use	6
Safety regulations	7
Safety assessment	7
Use of qualified personnel	7
Warranty and liability	7
Disposal	7
For your safety	8
<b>Unit features</b>	<b>8</b>
<b>Function description</b>	<b>9</b>
Block diagram	9
Operating distances	10
Lateral and vertical offset	10
<b>Wiring</b>	<b>11</b>
Pin assignment for cable	11
<b>Connection to evaluation devices</b>	<b>12</b>
<b>Teaching in the actuator</b>	<b>15</b>
<b>Installation</b>	<b>15</b>
Parallel assembly	16
Orthogonal assembly	17
<b>Adjustment</b>	<b>19</b>
<b>Operation</b>	<b>19</b>
Error display through flashing codes	19
<b>Dimensions in mm</b>	<b>21</b>
PSEN cs3.1p	21
PSEN cs3.1 M12/8-0.15m	22
PSEN cs3.1 M12/8-1.5m	23
<b>Technical details</b>	<b>23</b>
Safety characteristic data	27
<b>Supplementary data</b>	<b>27</b>
Radio approval	27

<b>Order reference</b>	<b>28</b>
<b>EC declaration of conformity</b>	<b>28</b>

## Introduction

### Validity of documentation

This documentation is valid for the product PSEN cs3.1p/M12. It is valid until new documentation is published.

This operating manual explains the function and operation, describes the installation and provides guidelines on how to connect the product.

### Using the documentation

This document is intended for instruction. Only install and commission the product if you have read and understood this document. The document should be retained for future reference.

### Definition of symbols

Information that is particularly important is identified as follows:



#### **DANGER!**

This warning must be heeded! It warns of a hazardous situation that poses an immediate threat of serious injury and death and indicates preventive measures that can be taken.



#### **WARNING!**

This warning must be heeded! It warns of a hazardous situation that could lead to serious injury and death and indicates preventive measures that can be taken.



#### **CAUTION!**

This refers to a hazard that can lead to a less serious or minor injury plus material damage, and also provides information on preventive measures that can be taken.



#### **NOTICE**

This describes a situation in which the product or devices could be damaged and also provides information on preventive measures that can be taken. It also highlights areas within the text that are of particular importance.

**INFORMATION**

This gives advice on applications and provides information on special features.

**Safety****Intended use**

Safety function of safety switch:

- ▶ 2 safety outputs, each of which supply a high signal when the actuator is in the safety switch's response range and when there is a high signal at the safety inputs.

The safety switch meets the requirements in accordance with:


- ▶ EN 60947-5-3 with the actuator PSEN cs3.1 : PDDDB
- ▶ EN 62061: SIL CL 3
- ▶ EN ISO 13849-1: PL eCat. 4
- ▶ EN ISO 14119: Coding level Low, Type4

The safety switch may only be used with the corresponding actuator PSEN cs3.1.

The safety level PL e (Cat. 4 )/SIL CL 3 is only achieved if

- ▶ the safety outputs use 2-channel processing.

The following is deemed improper use in particular:

- ▶ Any component, technical or electrical modification to the product
- ▶ Use of the product outside the areas described in this manual
- ▶ Use of the product outside the technical details (see [Technical details](#) [ 23]).

**NOTICE**

EMC-compliant electrical installation

The product is designed for use in an industrial environment. The product may cause interference if installed in other environments. If installed in other environments, measures should be taken to comply with the applicable standards and directives for the respective installation site with regard to interference.

## Safety regulations

### Safety assessment

Before using a unit it is necessary to perform a safety assessment in accordance with the Machinery Directive.

Functional safety is guaranteed for the product as a single component. However, this does not guarantee the functional safety of the overall plant/machine. In order to achieve the required safety level for the overall plant/machine, define the safety requirements for the plant/machine and then define how these must be implemented from a technical and organisational standpoint.

### Use of qualified personnel

The products may only be assembled, installed, programmed, commissioned, operated, maintained and decommissioned by competent persons.

A competent person is someone who, because of their training, experience and current professional activity, has the specialist knowledge required to test, assess and operate the work equipment, devices, systems, plant and machinery in accordance with the general standards and guidelines for safety technology.

It is the company's responsibility only to employ personnel who:

- ▶ Are familiar with the basic regulations concerning health and safety / accident prevention
- ▶ Have read and understood the information provided in this description under "Safety"
- ▶ And have a good knowledge of the generic and specialist standards applicable to the specific application.

### Warranty and liability

All claims to warranty and liability will be rendered invalid if

- ▶ The product was used contrary to the purpose for which it is intended
- ▶ Damage can be attributed to not having followed the guidelines in the manual
- ▶ Operating personnel are not suitably qualified
- ▶ Any type of modification has been made (e.g. exchanging components on the PCB boards, soldering work etc.).


### Disposal

- ▶ In safety-related applications, please comply with the mission time  $T_M$  in the safety-related characteristic data.
- ▶ When decommissioning, please comply with local regulations regarding the disposal of electronic devices (e.g. Electrical and Electronic Equipment Act).

**For your safety****WARNING!**

Loss of safety function due to manipulation of the interlocking device

Manipulation of the interlocking device may lead to serious injury and death.

- You should prevent any possibility of the interlocking device being manipulated through the use of a spare actuator.
- Keep the spare actuator in a safe place and protect it from unauthorised access.
- If spare actuators are used, these must be installed as described in [Installation](#) [ 15].

- ▶ Do not remove the protective cap until you are just about to connect the unit.

**Unit features**

- ▶ Transponder technology for presence detection (safety function)
- ▶ Pilz coding type: Coded
- ▶ Dual-channel operation
- ▶ 2 safety inputs for series connection of multiple safety switches
- ▶ 2 safety outputs
- ▶ 1 signal output
- ▶ LED display for:
  - State of the actuator
  - State of the inputs
  - Supply voltage/fault
- ▶ 1 direction of actuation
- ▶ Connection types:
  - PSEN cs3.1p: 8-pin M8 male connector
  - PSEN cs3.1 M12/8-0.15m: 8-pin M12 male connector, 0.15 m cable
  - PSEN cs3.1 M12/8-1.5m: 8-pin M12 male connector, 1.5 m cable



### Function description

The safety outputs may have a high or low signal, depending on the position of the actuator and the signal status of the inputs.

In a safe condition there is a low signal at the safety outputs.

**Electrical states of the inputs and outputs (when switch is ready for operation: Power / Fault LED is green):**

Actuator in the re- sponse range	Safety input S11	Safety input S21	Safety out- put 12	Safety out- put 22	Signal out- put Y32
Yes	High	High	High	High	High
Yes	Low	Low	Low	Low	High
No	X	X	Low	Low	Low
Yes	High	Low	High	Low	High
Yes	Low	High	Low	High	High

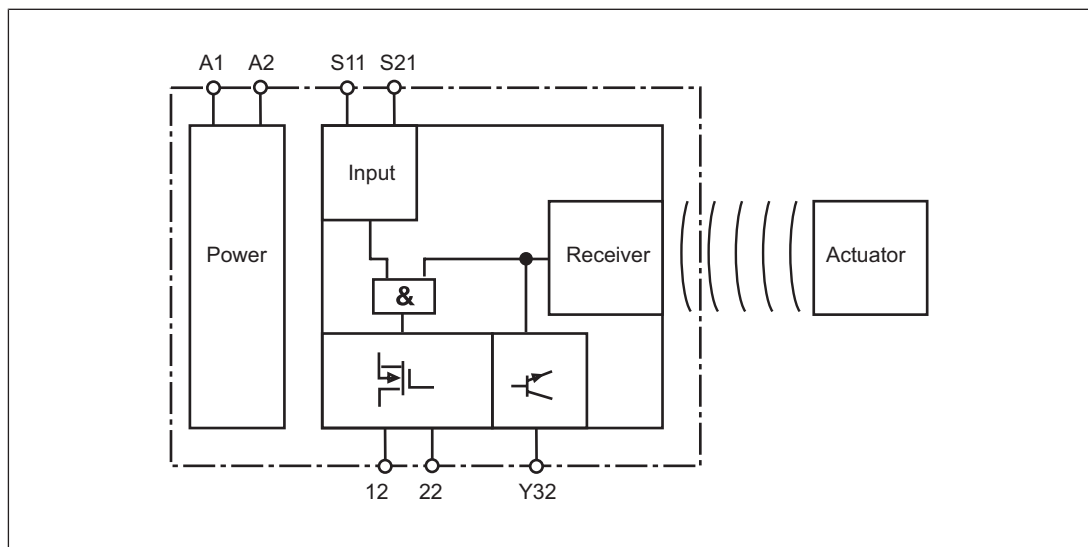
x: High or low signal

### Feasibility monitoring for safety inputs S11 and S21

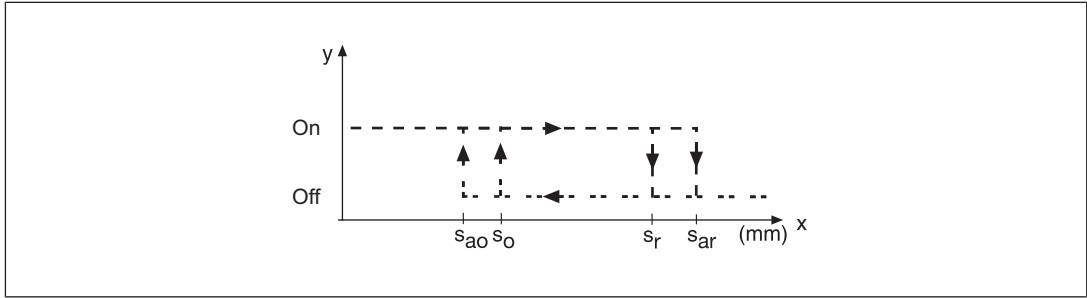
- ▶ If one safety input switches from high to low, while the other safety input remains high, an unequal status is displayed: **Input LED flashes yellow**
- ▶ If this safety input switches back from low to high, while the other safety input remains high, a feasibility error is displayed and a partial operation lock is triggered: **Input LED flashes yellow**

A switch to a high signal will only lead to normal switch operation if both inputs had a low signal. From this moment on, the switch to high may occur (partial operation lock see [Error display \[19\]](#)).

### Block diagram



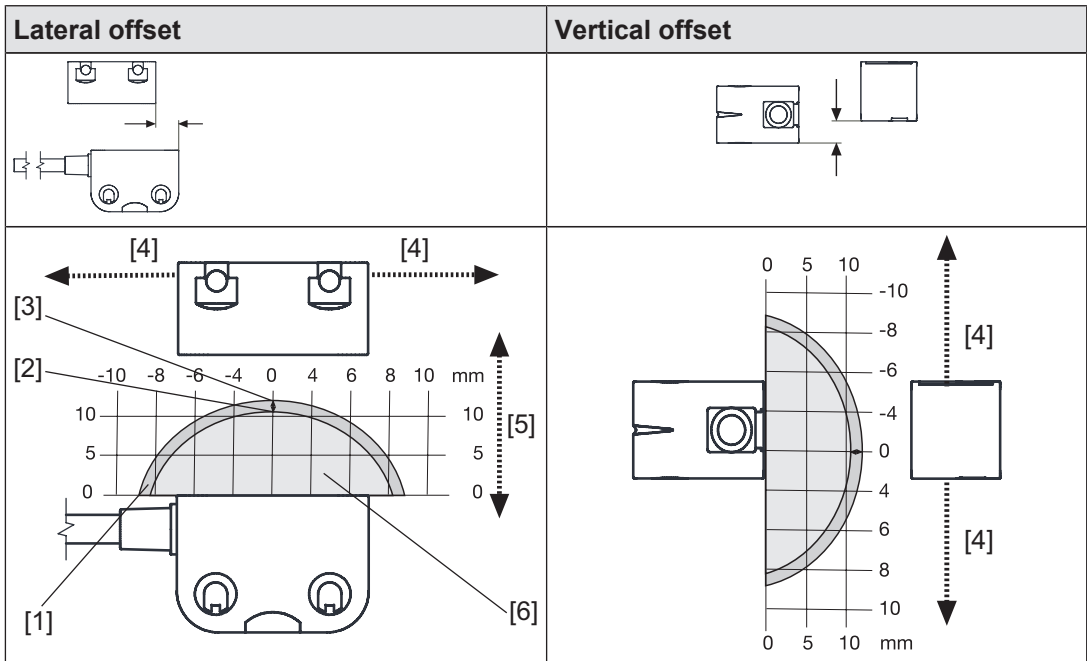
**Operating distances**



**Legend:**

- ▶  $S_{ao}$ : Assured operating distance: 8 mm
- ▶  $S_o$ : Typical operating distance: 11 mm
- ▶  $S_r$ : Typical release distance: 14 mm
- ▶  $S_{ar}$ : Assured release distance: 20 mm

**Lateral and vertical offset**



**Legend:**

- ▶ [1]: Hysteresis
- ▶ [2]: Typical operating distance  $S_o$
- ▶ [3]: Typical release distance  $S_r$
- ▶ [4]: Offset in mm
- ▶ [5]: Operating distance in mm
- ▶ [6]: Response range

## Wiring

Please note:

- ▶ Information given in the [Technical details \[23\]](#) must be followed.
- ▶ The max. cable length  $l_{max}$  in the input circuit is calculated from
  - the max. cable capacitance at the safety outputs (see [Technical data \[23\]](#)).
  - the minimum permitted supply voltage at the sensor (19.2 V).
- ▶ The power supply must meet the regulations for extra low voltages with protective separation (SELV, PELV).
- ▶ The inputs and outputs of the safety switch must have a protective separation to voltages over 60 VDC.



### INFORMATION

Only use safety relays with a 24 VDC supply voltage. Safety relays with universal power supply or in AC device versions have internal potential isolation and are not suitable as evaluation devices.



### CAUTION!

Do not connect the signal output to 0 V!

If the signal output Y32 is connected to 0 V, the safety switch may be damaged as a result. Connect the signal output Y32 to a consumer, e.g. to the input on a control system, or leave the signal output unconnected.

- ▶ The supply voltage to the safety switch must be protected with a 2 A to 4 A quick-acting fuse.
- ▶ Ensure the EMC requirements of IEC 60204-1 are met.
- ▶ When connecting in series, make sure you comply with the wiring technology requirements (DIN EN 60204-1) and manipulation protection requirements (EN ISO 14119).

### Pin assignment for cable

PIN	Pin designation	Function	Wire colour
1	S21	Input, channel 2	white
2	A1	+24 VUB	brown
3	12	Output, channel1	Green
4	22	Output, channel2	yellow
5	Y32	Signal output	grey
6	S11	Input, channel 1	Pink
7	A2	0 V UB	blue
8	-	Do not connect	red

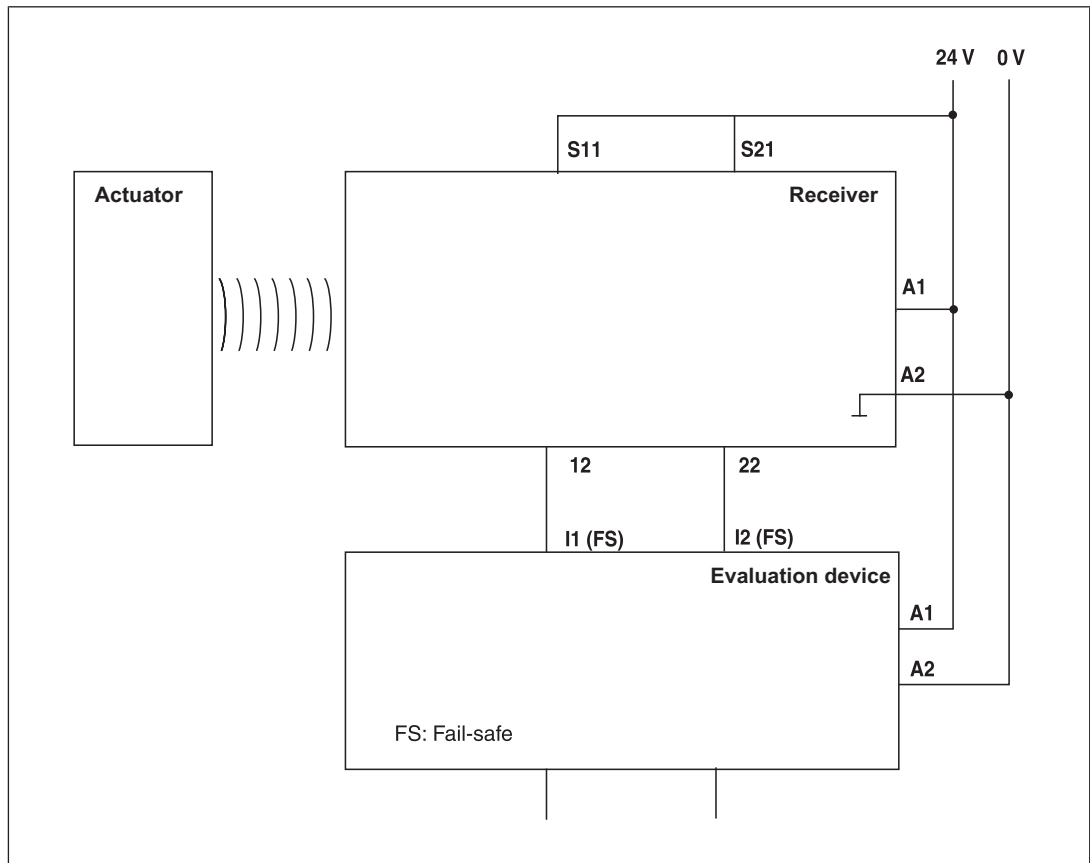
The wire colour also applies for the cable available from Pilz as an accessory.

### Connection to evaluation devices

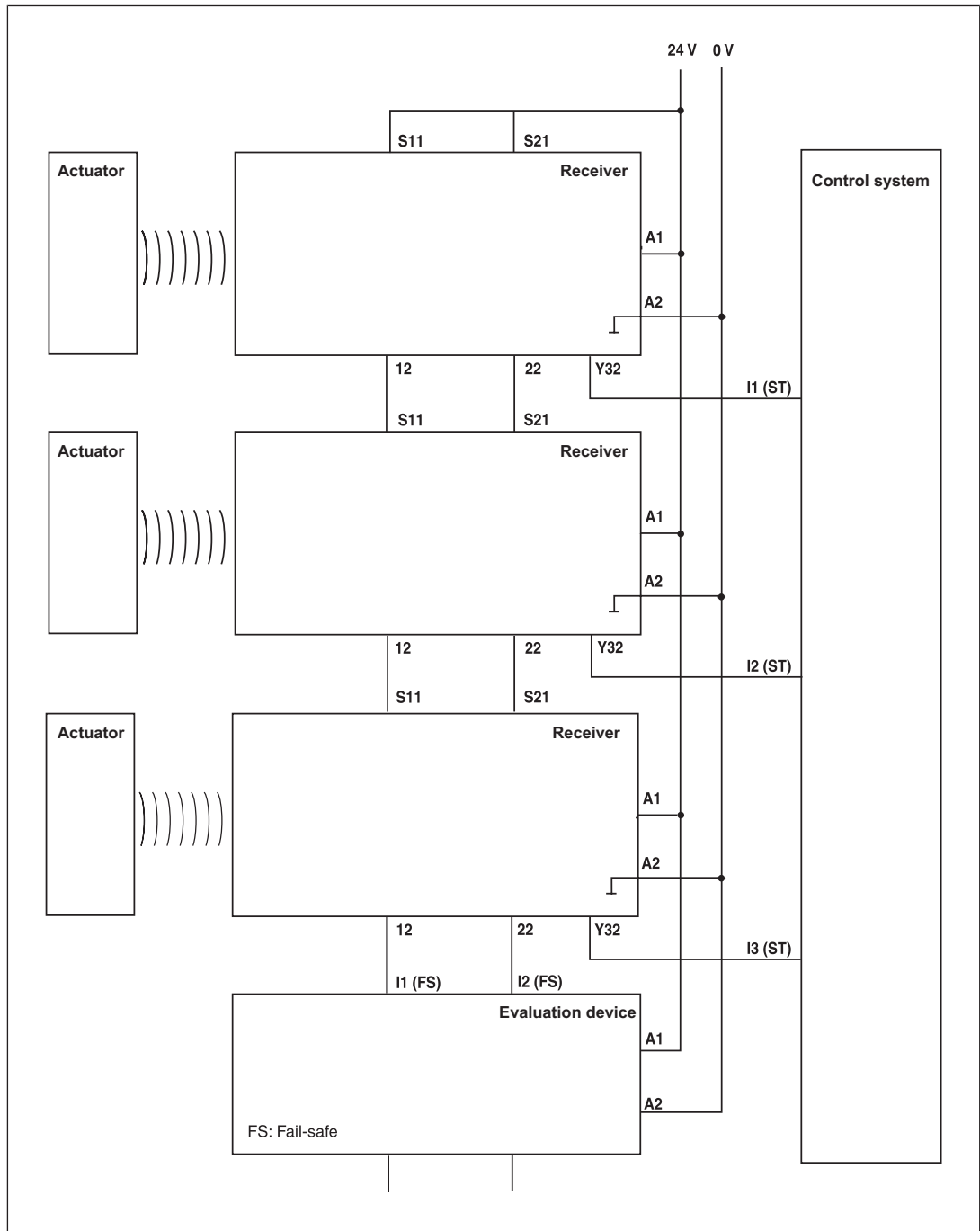
Make sure that the selected evaluation device has the following properties:

- ▶ Dual-channel with feasibility monitoring
- ▶ OSSD signals are evaluated

#### Connection diagram, single connection



Connection diagram, series connection



**CAUTION!****Extension of delay-on de-energisation**

When several (n) devices are connected in series, the delay-on de-energisation time adds with the number of interconnected safety switches.

The max. delay-on de-energisation is composed of  
 max. delay-on de-energisation actuator  
 + (n-1) x max. delay-on de-energisation of the inputs  
 + delay-on de-energisation of the evaluation device

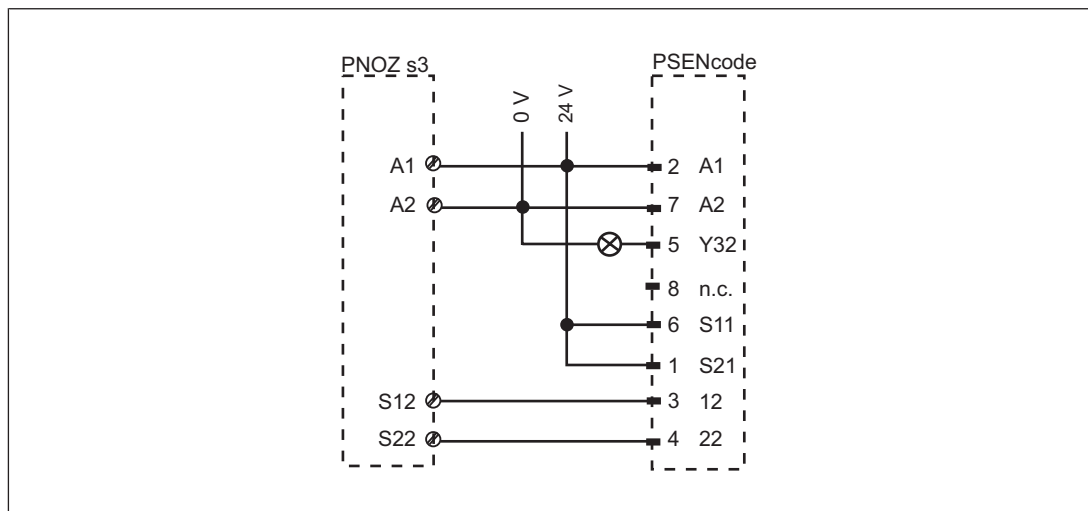
Suitable Pilz evaluation devices are, for example:

- ▶ PNOZelog for safety gate monitoring
- ▶ PNOZpower for safety gate monitoring
- ▶ PNOZsigma for safety gate monitoring
- ▶ PNOZ X for safety gate monitoring
- ▶ PNOZmulti for safety gate monitoring  
Configure the switch in the PNOZmulti Configurator with switch type 3.
- ▶ PSS for safety gate monitoring with standard function block SB064, SB066 or FS\_Safety Gate
- ▶ PSSuniversal PLC for safety gate monitoring with function block FS\_SafetyGate

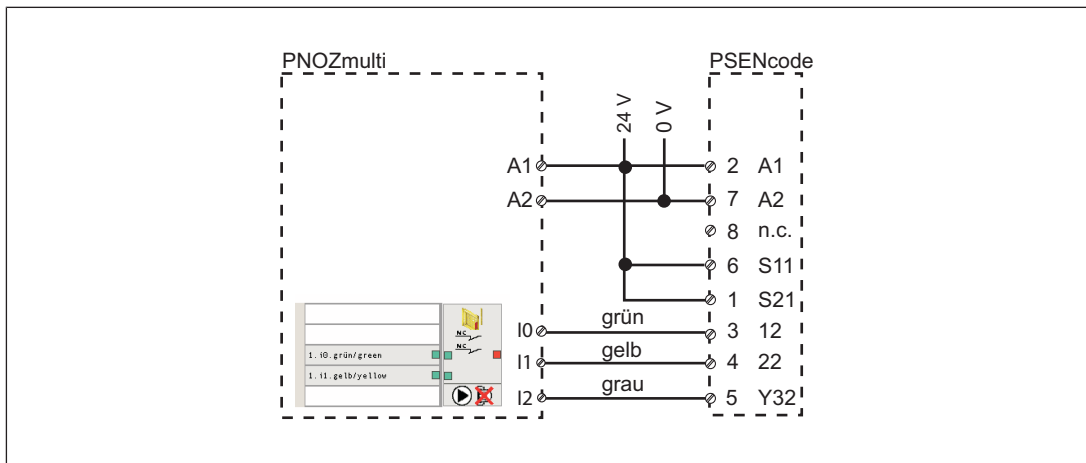
The correct connection to the respective evaluation device is described in the instructions for the evaluation device. Make sure that the connection is made in accordance with the specifications in the instructions for the selected evaluation device.

The connections to two evaluation devices are shown on the following pages, by way of example:

- ▶ PNOZ s3 and
- ▶ PNOZmulti

**PNOZ s3**

## PNOZmulti



### Legend:

I0	Input OSSD
I1	Input OSSD
I2	Signal input

## Teaching in the actuator

Any Pilz actuator (PSEN cs3.1) is detected as soon as it is brought into the response range.

## Installation


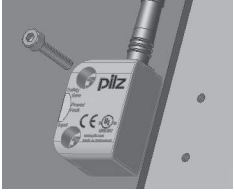

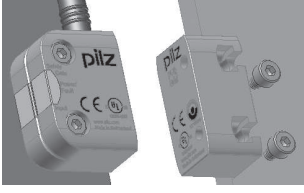
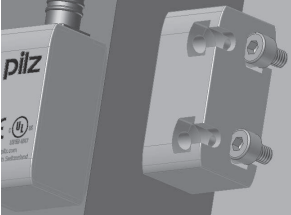
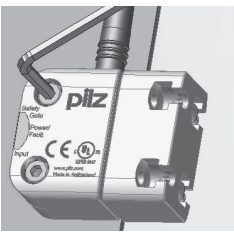
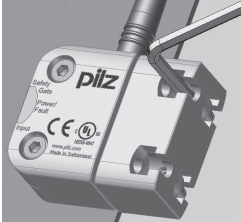


### CAUTION!

The unit's properties may be affected if installed in an environment containing electrically or magnetically conductive material. Please check the operating distances and the assured release distance.

- ▶ The safety switch and actuator should be installed opposite each other in parallel.
- ▶ Safety switches and actuators should only be secured using M4 screws with a flat head (e.g. M4 cheese-head or pan head screws).
- ▶ The actuator should be protected from unauthorised removal and from contamination. Close the mounting holes using the seals provided. The use of seals should be regarded as equivalent to using permanent fastenings in accordance with Clause 7.2c of EN ISO 14119.
- ▶ Torque setting: Please note the information provided under [Technical details](#) [[23](#)].
- ▶ The distance between two safety switches must be maintained (see [Technical details](#) [[23](#)]).
- ▶ Make sure that the safety switch and actuator cannot be used as an end stop.

**Parallel assembly**

	<p>Drill holes (for M4 screws) in the mounting surface to secure the actuator and sensor (see <a href="#">Dimensions [📖 21]</a>).</p>
	<p>Use a screw to fix the safety switch in place.</p>
	<ol style="list-style-type: none"> <li>1. Do not fully tighten the 2nd screw on the safety switch.</li> <li>2. Attach the screws for the actuator, leaving a distance of 3 ... 6 mm between the screw head and plate.</li> </ol>
	<p>Slide the actuator on to the mounting surface. The inscribed area on the actuator (sensing face) should face the safety switch.</p>
	<p>Slide the actuator on to the screws.</p>
	<p>Align the safety switch and tighten the screws.</p>
	<p>Align the actuator and tighten the screws.</p>



	<p>For the next steps you will need the seals as illustrated.</p> <ul style="list-style-type: none"> <li>▶ (1): Side seal with UL approval</li> <li>▶ (2): Bottom seal</li> <li>▶ (3): Top seal, sensing side</li> <li>▶ (4): Side seal without UL approval</li> </ul>
--	--

	<p>Use the seals to close the screws' mounting holes on the actuator</p> <ul style="list-style-type: none"> <li>▶ (4): Without UL approval</li> <li>▶ (1): For UL approval</li> </ul>
--	---

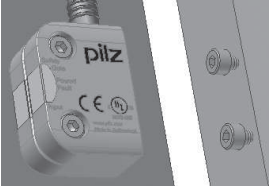
	<p>Use the seals (2) to close the unused mounting holes on the actuator.</p>
--	--

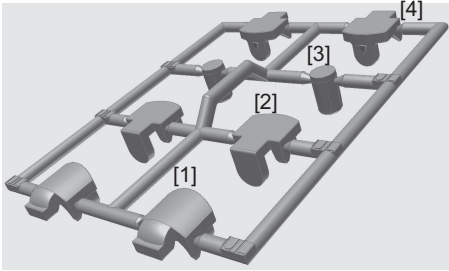
	<p>Use the seals (3) to close the mounting holes on the sensing face of the safety switch.</p>
--	--

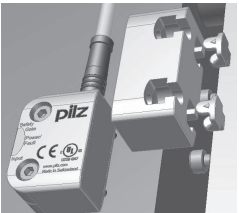
**Orthogonal assembly**

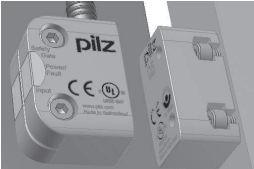
	<p>Drill holes (for M4 screws) in the mounting surface to secure the actuator and sensor (see <a href="#">Dimensions</a> [21]).</p>
--	---


	<p>Use a screw to fix the safety switch in place.</p>
--	---

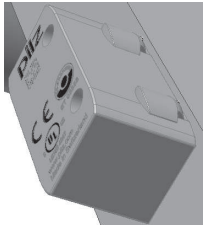
	<ol style="list-style-type: none"> <li>1. Do not fully tighten the 2nd screw on the safety switch.</li> <li>2. Attach the screws for the actuator, leaving a distance of 3 ... 6 mm between the screw head and plate.</li> </ol>
---	--

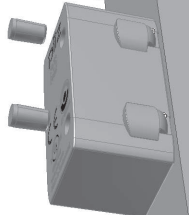
	<p>For the next steps you will need the seals as illustrated.</p> <ul style="list-style-type: none"> <li>▶ (1): Side seal with UL approval</li> <li>▶ (2): Bottom seal</li> <li>▶ (3): Top seal, sensing side</li> <li>▶ (4): Side seal without UL approval</li> </ul>
---	--

	<p>Use the seals (2) to close the unused mounting holes on the actuator.</p>
---	--



	<p>Slide the actuator on to the screws.</p>
---	---

	<p>Align the actuator and tighten the screws.</p>
---	---


	<p>Use the seals to close the screws' mounting holes on the actuator</p> <ul style="list-style-type: none"> <li>▶ (4): Without UL approval</li> <li>▶ (1): For UL approval</li> </ul>
---	---

	<p>Use the seals (3) to close the mounting holes on the sensing face of the safety switch.</p>
---	--

### Adjustment

- ▶ The stated operating distances (see [Technical details](#) [ 23]) only apply when the safety switch and actuator are installed facing each other in parallel. Operating distances may deviate if other arrangements are used.
- ▶ Note the maximum permitted lateral and vertical offset (see [Operating distances and Lateral and vertical offset](#) [ 10]).

### Operation



**NOTICE**

The safety function should be checked after initial commissioning and each time the plant/machine is changed. The safety functions may only be checked by qualified personnel.

#### Status indicators:

- ▶ "Power / Fault" LED illuminates green: The unit is ready for operation
- ▶ "Safety Gate" LED lights up yellow: Actuator is within the response range
- ▶ "Input" LED lights up yellow: There is a high signal at both inputs

Error display through periodic flashing:

- ▶ "Input" LED lights up yellow: The signal switches from high to low at one input, while a high signal remains on the other input (partial operation).  
Remedy: Open both channels of the input circuit.
- ▶ "Power/Fault" LED lights up red: Error message  
Flashing codes for fault diagnostics are output to the "Safety Gate" or "Input" LED (see [Error display through flashing codes](#)).  
Remedy: Rectify fault and interrupt power supply.

Please note the different times for

- ▶ The switch-on delay after UB is applied
- ▶ The recovery time of the sensor and evaluation device.

#### Error display through flashing codes

The "Safety Gate" and "Input" LEDs send flash signals; an error code can be established from the number and sequence. The "Power/Fault" LED illuminates red.

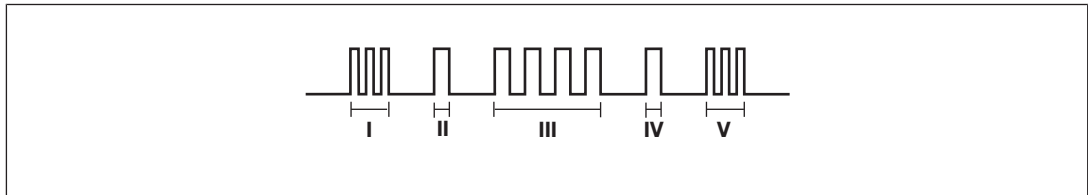
Each error code is indicated by three short flashes of the "Input" or "Safety Gate" LED. After a longer pause, the LED will then flash at one second intervals. The number of LED flashes corresponds to a digit in the error code. The error code can consist of up to 3 digits. The digits are separated by a longer period without flashing. The entire sequence is constantly repeated.

Number of flashes	1 2 3 4 5 6 7 8 9 10 11 12 13 14 15 16
Decimal error code	1 2 3 4 5 6 7 8 9 10 11 12 13 14 15 0

#### Example:

Error code 1,4,1:

Flash frequency of the "Safety Gate" or "Input" LED



Meaning of flash frequency:

	Flash frequency	Meaning
I	3 times, short	Code for error message
II	Once, for one second each	Code for 1st digit
III	4 times, for one second each	Code for 2nd digit
IV	Once, for one second each	Code for 3rd digit
V	3 times, short	Code for error message repeated

Table of error codes

Error code Decimal	Number of flashes	Description	Remedy
1.4.1	3x short – 1x long – 4x long – 1x long – 3x short	Wiring error	Rectify wiring error
1.12	3x short – 1x long – 12x long – 3x short	Wiring error	Rectify wiring error
1.13	3x short – 1x long – 12x long – 3x short	Wiring error	Rectify wiring error
14	3x short – 14x long – 3x short	Wiring error	Rectify wiring error
15	3x short – 15x long – 3x short	Wiring error	Rectify wiring error

Other flashing codes signal an internal error. Remedy: Change device.

Dimensions in mm

PSEN cs3.1p

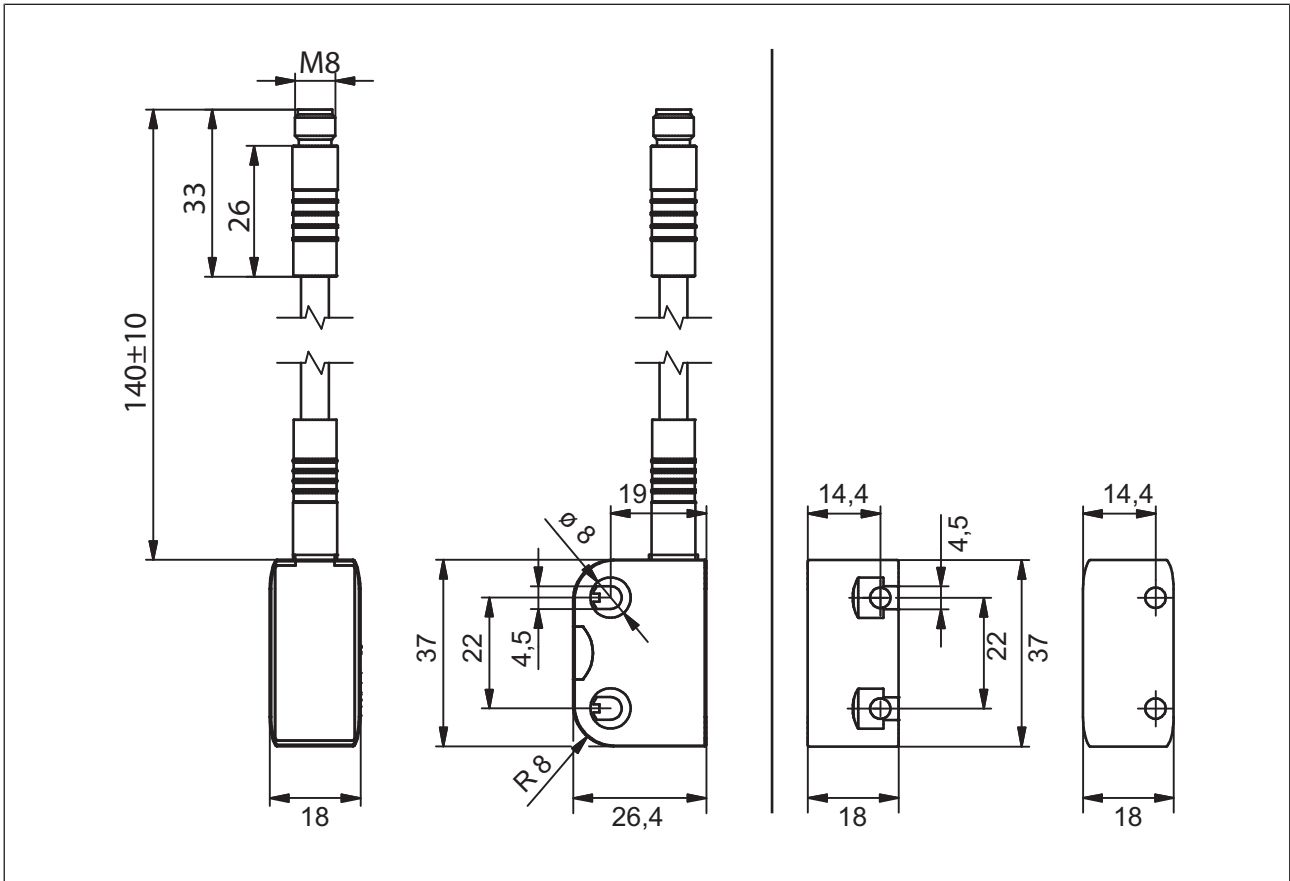


Fig.: Safety switch (left) and actuator (right)

PSEN cs3.1 M12/8-0.15m

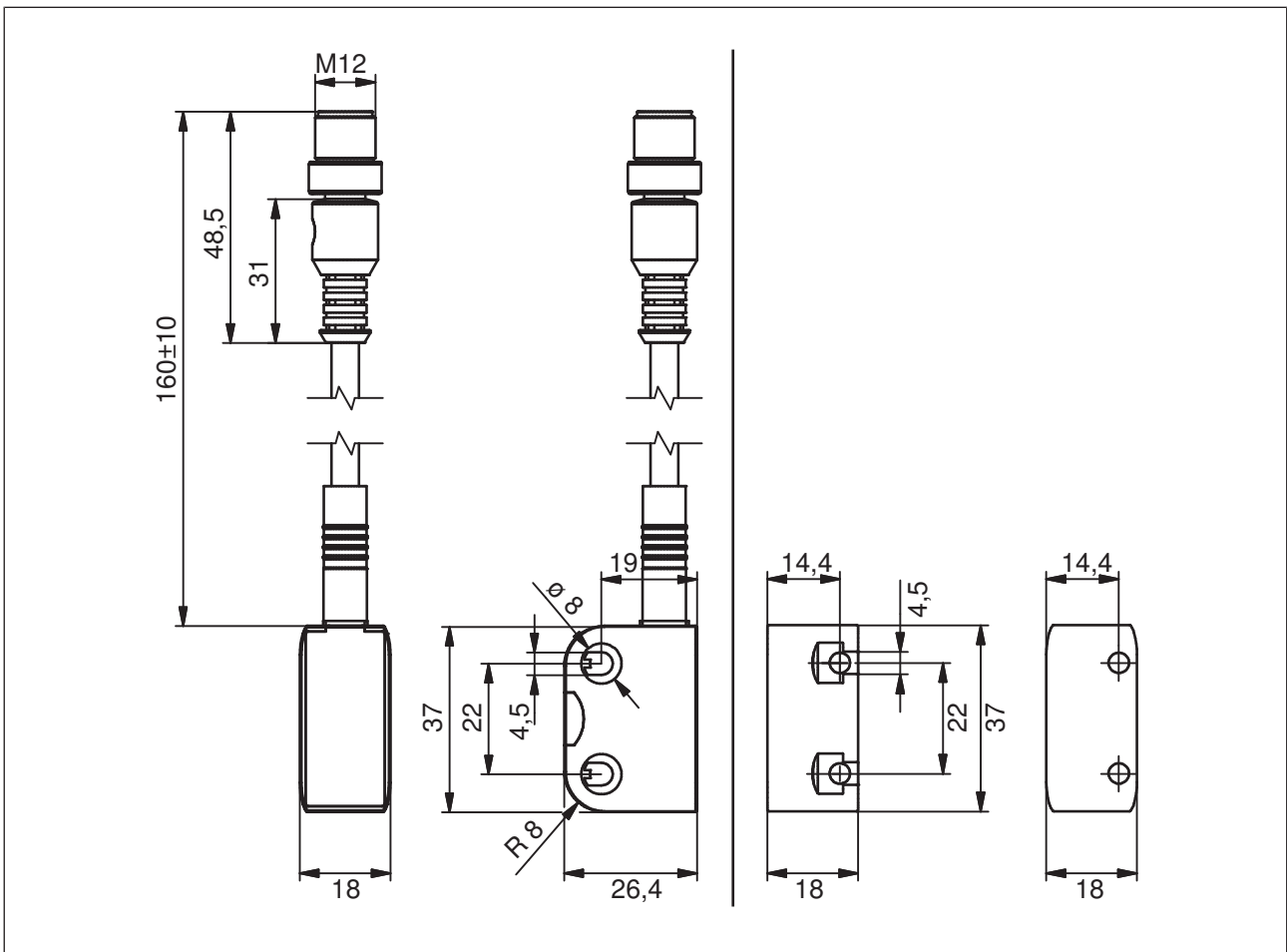
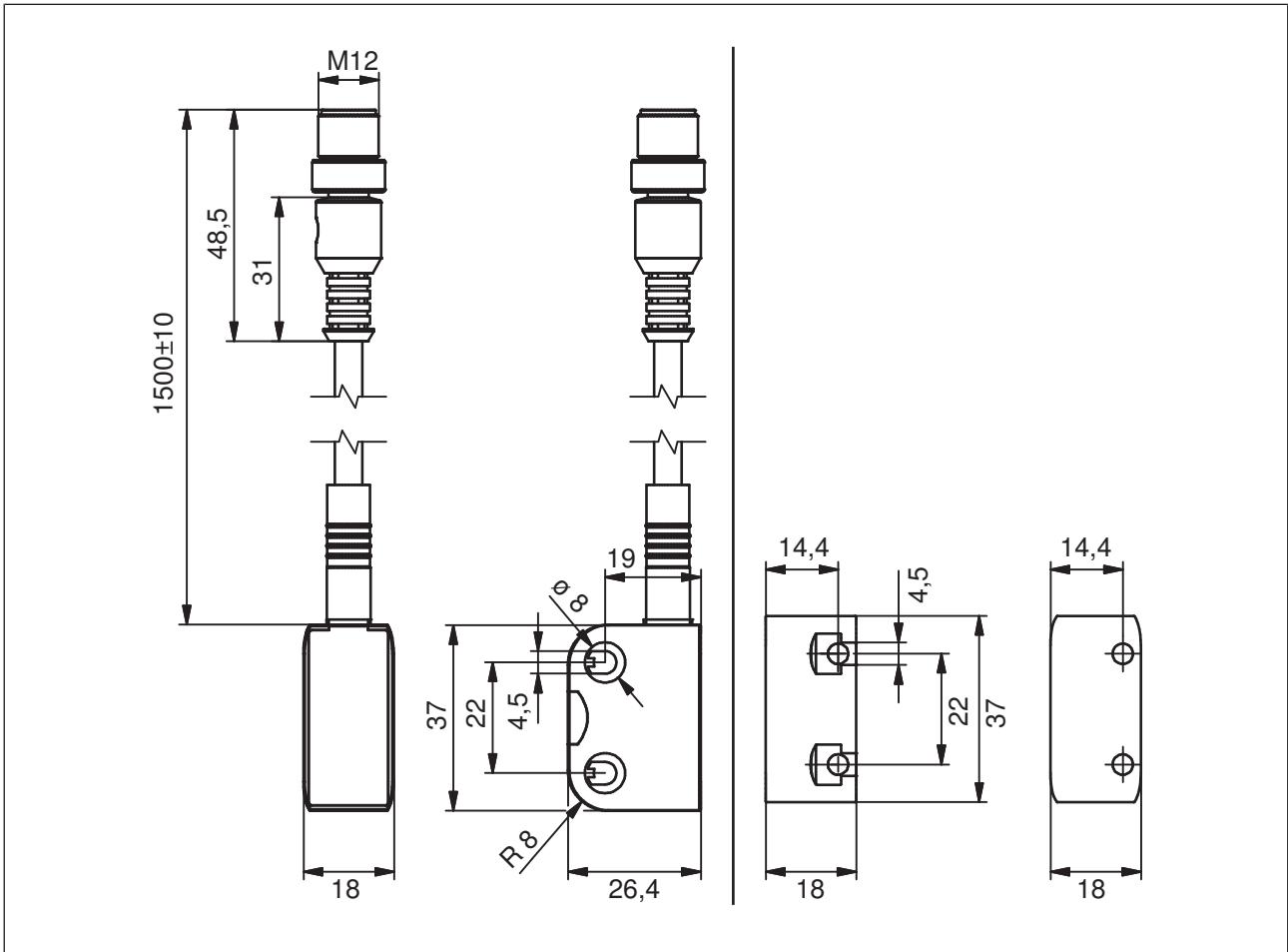


Fig.: Safety switch (left) and actuator (right)

PSEN cs3.1 M12/8-1.5m



Technical details

General	541009	541010	541014
Approvals	CE, EAC (Eurasian), FCC, IC, TÜV, cULus Listed	CE, EAC (Eurasian), FCC, IC, TÜV, cULus Listed	CE, EAC (Eurasian), FCC, IC, TÜV, cULus Listed
Sensor's mode of operation	Transponder	Transponder	Transponder
Coding level in accordance with EN ISO 14119	Low	Low	Low
Design in accordance with EN ISO 14119	4	4	4
Classification in accordance with EN 60947-5-3	PDDB	PDDB	PDDB
Pilz coding type	Coded	Coded	Coded

<b>Electrical data</b>	<b>541009</b>	<b>541010</b>	<b>541014</b>
Supply voltage			
Voltage	<b>24 V</b>	<b>24 V</b>	<b>24 V</b>
Kind	<b>DC</b>	<b>DC</b>	<b>DC</b>
Voltage tolerance	<b>-20 %/+20 %</b>	<b>-20 %/+20 %</b>	<b>-20 %/+20 %</b>
Output of external power supply (DC)	<b>1 W</b>	<b>1 W</b>	<b>1 W</b>
Max. switching frequency	<b>3 Hz</b>	<b>3 Hz</b>	<b>3 Hz</b>
Max. cable capacitance at the safety outputs			
No-load, PNOZ with re-relay contacts	<b>400 nF</b>	<b>400 nF</b>	<b>400 nF</b>
PNOZmulti, PNOZelog, PSS	<b>400 nF</b>	<b>400 nF</b>	<b>400 nF</b>
Max. inrush current impulse			
Current pulse, A1	<b>0,58 A</b>	<b>0,58 A</b>	<b>0,58 A</b>
Pulse duration, A1	<b>1 ms</b>	<b>1 ms</b>	<b>1 ms</b>
No-load current	<b>20 mA</b>	<b>20 mA</b>	<b>20 mA</b>
<b>Inputs</b>	<b>541009</b>	<b>541010</b>	<b>541014</b>
Number	<b>2</b>	<b>2</b>	<b>2</b>
Voltage at inputs	<b>24 V DC</b>	<b>24 V DC</b>	<b>24 V DC</b>
Input current range	<b>5 mA</b>	<b>5 mA</b>	<b>5 mA</b>
Max. overall cable resistance R <sub>lmax</sub>			
Single-channel at UB DC	<b>1000 Ohm</b>	<b>1000 Ohm</b>	<b>1000 Ohm</b>
<b>Semiconductor outputs</b>	<b>541009</b>	<b>541010</b>	<b>541014</b>
OSSD safety outputs	<b>2</b>	<b>2</b>	<b>2</b>
Signal outputs	<b>1</b>	<b>1</b>	<b>1</b>
Switching current per output	<b>100 mA</b>	<b>100 mA</b>	<b>100 mA</b>
Breaking capacity per output	<b>2,4 W</b>	<b>2,4 W</b>	<b>2,4 W</b>
Potential isolation from system voltage	<b>No</b>	<b>No</b>	<b>No</b>
Short circuit-proof	<b>ja</b>	<b>ja</b>	<b>ja</b>
Residual current at outputs	<b>20 µA</b>	<b>20 µA</b>	<b>20 µA</b>
Voltage drop at OSSDs	<b>3,5 V</b>	<b>3,5 V</b>	<b>3,5 V</b>
Lowest operating current	<b>0 mA</b>	<b>0 mA</b>	<b>0 mA</b>
Utilisation category in accordance with EN 60947-1	<b>DC-12</b>	<b>DC-12</b>	<b>DC-12</b>
<b>Times</b>	<b>541009</b>	<b>541010</b>	<b>541014</b>
Test pulse duration, safety outputs	<b>450 µs</b>	<b>450 µs</b>	<b>450 µs</b>




<b>Times</b>	<b>541009</b>	<b>541010</b>	<b>541014</b>
<b>Switch-on delay</b>			
after UB is applied	<b>1 s</b>	<b>1 s</b>	<b>1 s</b>
Inputs typ.	<b>13 ms</b>	<b>13 ms</b>	<b>13 ms</b>
Inputs max.	<b>20 ms</b>	<b>20 ms</b>	<b>20 ms</b>
Actuator typ.	<b>45 ms</b>	<b>45 ms</b>	<b>45 ms</b>
Actuator max.	<b>120 ms</b>	<b>120 ms</b>	<b>120 ms</b>
<b>Delay-on de-energisation</b>			
Inputs typ.	<b>15 ms</b>	<b>15 ms</b>	<b>15 ms</b>
Inputs max.	<b>20 ms</b>	<b>20 ms</b>	<b>20 ms</b>
Actuator typ.	<b>40 ms</b>	<b>40 ms</b>	<b>40 ms</b>
Actuator max.	<b>260 ms</b>	<b>260 ms</b>	<b>260 ms</b>
<b>Supply interruption before de-energisation</b>			
	<b>10 ms</b>	<b>10 ms</b>	<b>10 ms</b>
<b>Simultaneity, channel 1 and 2 max.</b>			
	$\infty$	$\infty$	$\infty$
<b>Environmental data</b>	<b>541009</b>	<b>541010</b>	<b>541014</b>
<b>Ambient temperature</b>			
In accordance with the standard	<b>EN 60068-2-14</b>	<b>EN 60068-2-14</b>	<b>EN 60068-2-14</b>
Temperature range	<b>-25 - 70 °C</b>	<b>-25 - 70 °C</b>	<b>-25 - 70 °C</b>
<b>Storage temperature</b>			
In accordance with the standard	<b>EN 60068-2-1/-2</b>	<b>EN 60068-2-1/-2</b>	<b>EN 60068-2-1/-2</b>
Temperature range	<b>-25 - 70 °C</b>	<b>-25 - 70 °C</b>	<b>-25 - 70 °C</b>
<b>Climatic suitability</b>			
In accordance with the standard	<b>EN 60068-2-78</b>	<b>EN 60068-2-78</b>	<b>EN 60068-2-78</b>
Humidity	<b>93 % r. h. at 40 °C</b>	<b>93 % r. h. at 40 °C</b>	<b>93 % r. h. at 40 °C</b>
<b>EMC</b>			
	<b>EN 60947-5-3</b>	<b>EN 60947-5-3</b>	<b>EN 60947-5-3</b>
<b>Vibration</b>			
In accordance with the standard	<b>EN 60947-5-2</b>	<b>EN 60947-5-2</b>	<b>EN 60947-5-2</b>
Frequency	<b>10 - 55 Hz</b>	<b>10 - 55 Hz</b>	<b>10 - 55 Hz</b>
Amplitude	<b>1 mm</b>	<b>1 mm</b>	<b>1 mm</b>
<b>Shock stress</b>			
In accordance with the standard	<b>EN 60947-5-2</b>	<b>EN 60947-5-2</b>	<b>EN 60947-5-2</b>
Acceleration	<b>30g</b>	<b>30g</b>	<b>30g</b>
Duration	<b>18 ms</b>	<b>18 ms</b>	<b>18 ms</b>
<b>Airgap creepage</b>			
Overvoltage category	<b>III</b>	<b>III</b>	<b>III</b>
Pollution degree	<b>3</b>	<b>3</b>	<b>3</b>
<b>Rated insulation voltage</b>			
	<b>75 V</b>	<b>75 V</b>	<b>75 V</b>
<b>Rated impulse withstand voltage</b>			
	<b>1 kV</b>	<b>1 kV</b>	<b>1 kV</b>

<b>Environmental data</b>	<b>541009</b>	<b>541010</b>	<b>541014</b>
Protection type			
Housing	<b>IP6K9K</b>	<b>IP6K9K</b>	<b>IP6K9K</b>
Connector	<b>IP67</b>	<b>IP67</b>	<b>IP67</b>
<b>Mechanical data</b>	<b>541009</b>	<b>541010</b>	<b>541014</b>
Min. bending radius (for laying) K1	<b>5 x Ø</b>	<b>5 x Ø</b>	<b>5 x Ø</b>
Min. bending radius (for constant movement) K1	<b>10 x Ø</b>	<b>10 x Ø</b>	<b>10 x Ø</b>
Cable diameter K1	<b>5,55 mm</b>	<b>5,55 mm</b>	<b>5,55 mm</b>
Actuator 1	<b>PSEN cs3.1</b>	<b>PSEN cs3.1</b>	<b>PSEN cs3.1</b>
Operating distances			
Assured operating distance Sao	<b>8 mm</b>	<b>8 mm</b>	<b>8 mm</b>
Typical operating distance So	<b>11 mm</b>	<b>11 mm</b>	<b>11 mm</b>
Assured release distance Sar	<b>20 mm</b>	<b>20 mm</b>	<b>20 mm</b>
Typical release distance Sr	<b>14 mm</b>	<b>14 mm</b>	<b>14 mm</b>
Repetition accuracy switching distances	<b>10 %</b>	<b>10 %</b>	<b>10 %</b>
Change of operating distance with temperature changes	<b>+0,01mm/°C</b>	<b>+0,01mm/°C</b>	<b>+0,01mm/°C</b>
Typ. Hysteresis	<b>2 mm</b>	<b>2 mm</b>	<b>2 mm</b>
Min. distance between safety switches	<b>100 mm</b>	<b>100 mm</b>	<b>100 mm</b>
Sensor flush installation in accordance with EN 60947-5-2	<b>Yes, follow installation guidelines</b>	<b>Yes, follow installation guidelines</b>	<b>Yes, follow installation guidelines</b>
Connection type	<b>M12, 8-pin male connector</b>	<b>M8, 8-pin male connector</b>	<b>M12, 8-pin male connector</b>
Cable	<b>LiYY 8 x 0.14 mm<sup>2</sup></b>	<b>LiYY 8 x 0.14 mm<sup>2</sup></b>	<b>LiYY 8 x 0.14 mm<sup>2</sup></b>
Material			
Top	<b>PBT</b>	<b>PBT</b>	<b>PBT</b>
Max. torque setting for fixing screws	<b>0,8 Nm</b>	<b>0,8 Nm</b>	<b>0,8 Nm</b>
Dimensions			
Height	<b>37 mm</b>	<b>37 mm</b>	<b>37 mm</b>
Width	<b>26 mm</b>	<b>26 mm</b>	<b>26 mm</b>
Depth	<b>18 mm</b>	<b>18 mm</b>	<b>18 mm</b>
Actuator dimensions			
Height	<b>37 mm</b>	<b>37 mm</b>	<b>37 mm</b>
Width	<b>18 mm</b>	<b>18 mm</b>	<b>18 mm</b>
Depth	<b>18 mm</b>	<b>18 mm</b>	<b>18 mm</b>
Weight of safety switch	<b>40 g</b>	<b>40 g</b>	<b>100 g</b>
Weight of actuator	<b>10 g</b>	<b>10 g</b>	<b>10 g</b>
Weight	<b>50 g</b>	<b>50 g</b>	<b>110 g</b>

Where standards are undated, the 2014-10 latest editions shall apply.

**Safety characteristic data**




**NOTICE**

You must comply with the safety-related characteristic data in order to achieve the required safety level for your plant/machine.

Operating mode	EN ISO 13849-1: 2008 PL	EN ISO 13849-1: 2008 Category	EN 62061 SIL CL	EN 62061 PFH <sub>D</sub> [1/h]	IEC 61511 SIL	IEC 61511 PFD	EN ISO 13849-1: 2008 T <sub>M</sub> [year]
2-ch. OSSD	PL e	Cat. 4	SIL CL 3	2,62E-09	SIL 3	7,68E-05	20

All the units used within a safety function must be considered when calculating the safety characteristic data.



**INFORMATION**

A safety function's SIL/PL values are **not** identical to the SIL/PL values of the units that are used and may be different. We recommend that you use the PAscal software tool to calculate the safety function's SIL/PL values.

**Supplementary data**

**Radio approval**

*USA/Canada*

**FC** FCC ID: VT8- PSENC33  
IC: 7482A- PSENC33

FCC/IC-Requirements:  
This product complies with Part 15 of the FCC Rules and with Industry Canada licence-exempt RSS standards. Operation is subject to the following two conditions:  
1) this product may not cause harmful interference, and  
2) this product must accept any interference received, including interference that may cause undesired operation.

Changes or modifications made to this product not expressly approved by Pilz may void the FCC authorization to operate this equipment.

NOTE: This equipment has been tested and found to comply with the limits for a Class A digital device, pursuant to Part 15 of the FCC Rules. These limits are designed to provide reasonable protection against harmful interference when the equipment is operated in a commercial environment. This equipment generates, uses, and can radiate radio frequency energy and, if not installed and used in accordance with the instruction manual, may cause harmful interference to radio communications. Operation of this equipment in a residential area is likely to cause harmful interference in which case the user will be required to correct the interference at his own expense.

Le présent produit est conforme aux CNR d'Industrie Canada applicables aux appareils radio exempts de licence. L'exploitation est autorisée aux deux conditions suivantes:  
(1) le produit ne doit pas produire de brouillage, et  
(2) l'utilisateur de le produit doit accepter tout brouillage radioélectrique subi, même si le brouillage est susceptible d'en compromettre le fonctionnement.

### Order reference

Product type	Features	Connection type	Order No.
PSEN cs3.1 M12/8-0.15m/ PSEN cs3.1	Safety gate system, coded	8-pin M12 male connector, 0.15 m cable	541 009
PSEN cs3.1p/PSEN cs3.1	Safety gate system, coded	8-pin M8 male connector	541 010
PSEN cs3.1 M12/8-1.5m/ PSEN cs3.1	Safety gate system, coded	8-pin M12 male connector, 1.5 m cable	541 014
PSEN cs3.1 M12/8-0.15m (switch)	Safety switch, coded	8-pin M12 male connector, 0.5 m cable	541 059
PSEN cs3.1p (switch)	Safety switch, coded	8-pin M8 male connector	541 060
PSEN cs3.1 M12/8-1.5m (switch)	Safety switch, coded	8-pin M12 male connector, 1.5 m cable	541 064
PSEN cs3.1	Actuator, coded		541 080

### EC declaration of conformity

This product/these products meet the requirements of the directive 2006/42/EC for machinery of the European Parliament and of the Council. The complete EC Declaration of Conformity is available on the Internet at [www.pilz.com/downloads](http://www.pilz.com/downloads).

Representative: Norbert Fröhlich, Pilz GmbH & Co. KG, Felix-Wankel-Str. 2, 73760 Ostfildern, Germany

# ► Support

Technical support is available from Pilz round the clock.

## Americas

**Brazil**  
+55 11 97569-2804

**Canada**  
+1 888-315-PILZ (315-7459)

**Mexico**  
+52 55 5572 1300

**USA (toll-free)**  
+1 877-PILZUSA (745-9872)

## Asia

**China**  
+86 21 60880878-216

**Japan**  
+81 45 471-2281

**South Korea**  
+82 31 450 0680

## Australia

+61 3 95446300

## Europe

**Austria**  
+43 1 7986263-0

**Belgium, Luxembourg**  
+32 9 3217575

**France**  
+33 3 88104000

**Germany**  
+49 711 3409-444

**Ireland**  
+353 21 4804983

**Italy**  
+39 0362 1826711

## Scandinavia

+45 74436332

## Spain

+34 938497433

## Switzerland

+41 62 88979-30

## The Netherlands

+31 347 320477

## Turkey

+90 216 5775552

## United Kingdom

+44 1536 462203

## You can reach our international hotline on:

+49 711 3409-444  
support@pilz.com

Pilz develops environmentally-friendly products using ecological materials and energy-saving technologies. Offices and production facilities are ecologically designed, environmentally-aware and energy-saving. So Pilz offers sustainability, plus the security of using energy-efficient products and environmentally-friendly solutions.

*Energy saving by Pilz*



Pilz GmbH & Co. KG  
Felix-Wankel-Straße 2  
73760 Ostfildern, Germany  
Tel.: +49 711 3409-0  
Fax: +49 711 3409-133  
info@pilz.com  
www.pilz.com

**PILZ**  
THE SPIRIT OF SAFETY